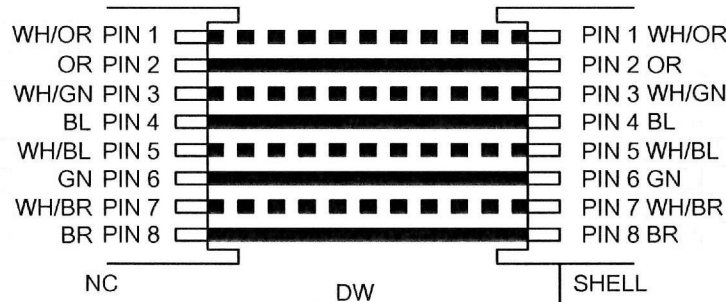
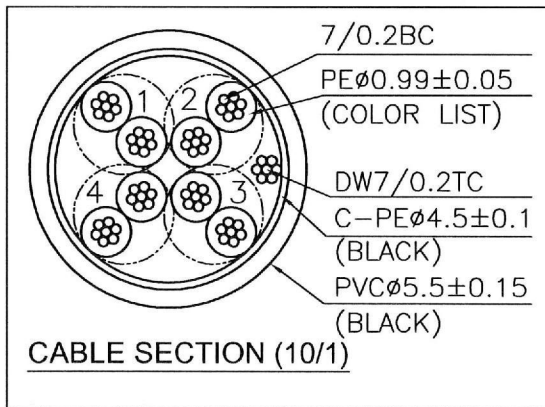
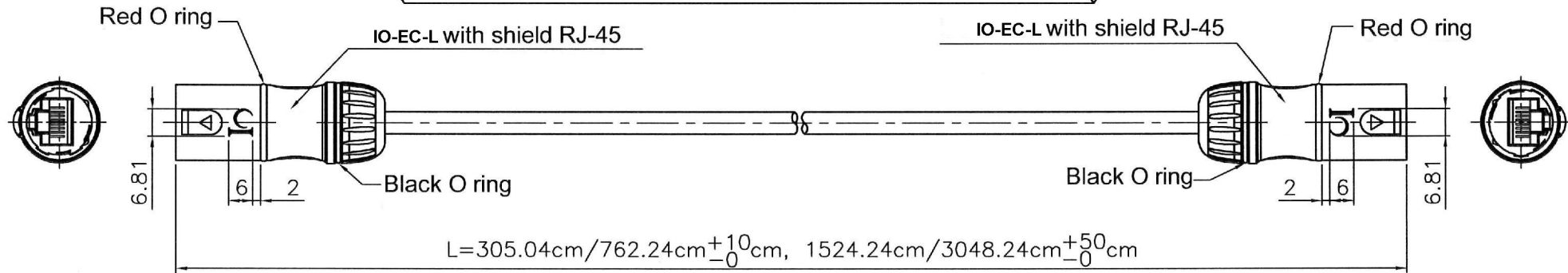


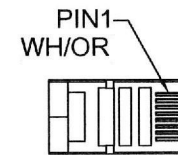
Notes:

1. The ground wire of two cable ends should be connected to shield of RJ45
2. C-PE belongs to semiconductor material, before welding must strip off cleanly.

IOAUDIO TECHNOLOGIES PROFESSIONAL CAT5E STP CABLE www.ioaudioteknologies.com



RJ45 Keystone
Wiring scheme: EIA/TIA 568B



Part No.
IO-CAT5-10-P
IO-CAT5-25-P
IO-CAT5-50-P
IO-CAT5-100-P

- Color List**
- 4 Pair twisted wires:
1. Orange-White/Orange
 2. Blue-White/Blue
 3. Green-White/Green
 4. Brown-White/Brown

DIMENSIONS ARE IN MILLIMETERS UNLESS OTHERWISE SPECIFIED TOLERANCES ANGLES = $\pm 5^\circ$ UP TO 6 = ± 0.2 6-40 = ± 0.4 40-120 = ± 0.6 120-315 = ± 1 ABOVE 315 = ± 1.6	APPROVED M. Chang DATE 2017-11-30
	CHECKED J. Huang DATE 2017-11-30
	DRAWN R. Rivero DATE 2017-11-29
	THIRD_ANGLE
SCALE 1/1.5	

TITLE
CAT5e RUGGED ETHERNET
CABLE ASSEMBLY (L=10/25/50/100FT)

PART NO. IO-CAT5-10-P REV. A2