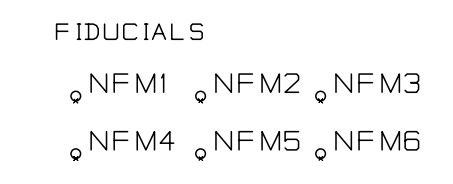
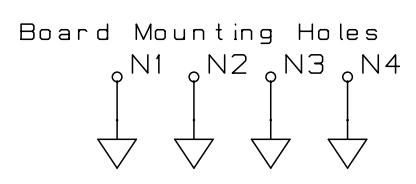
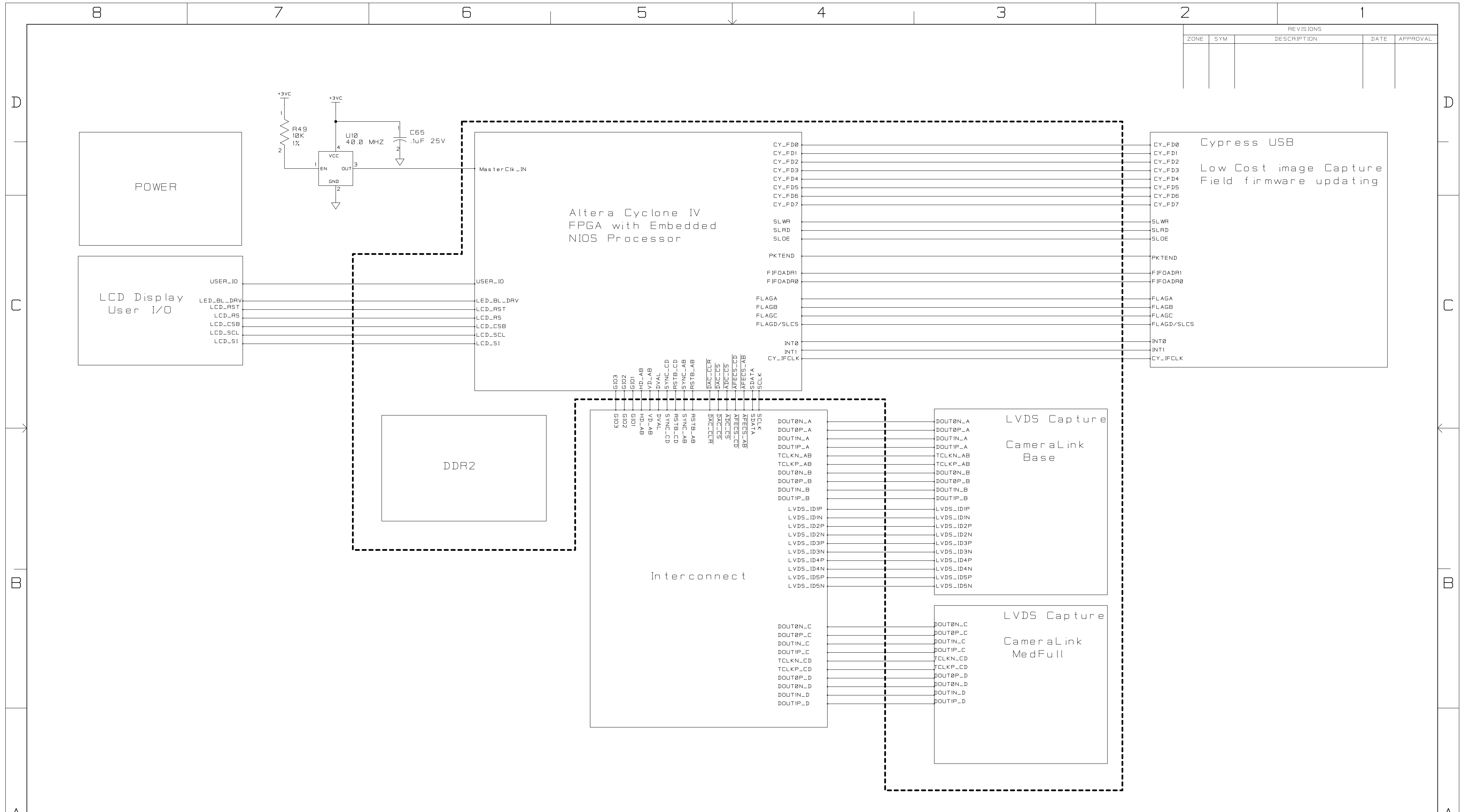
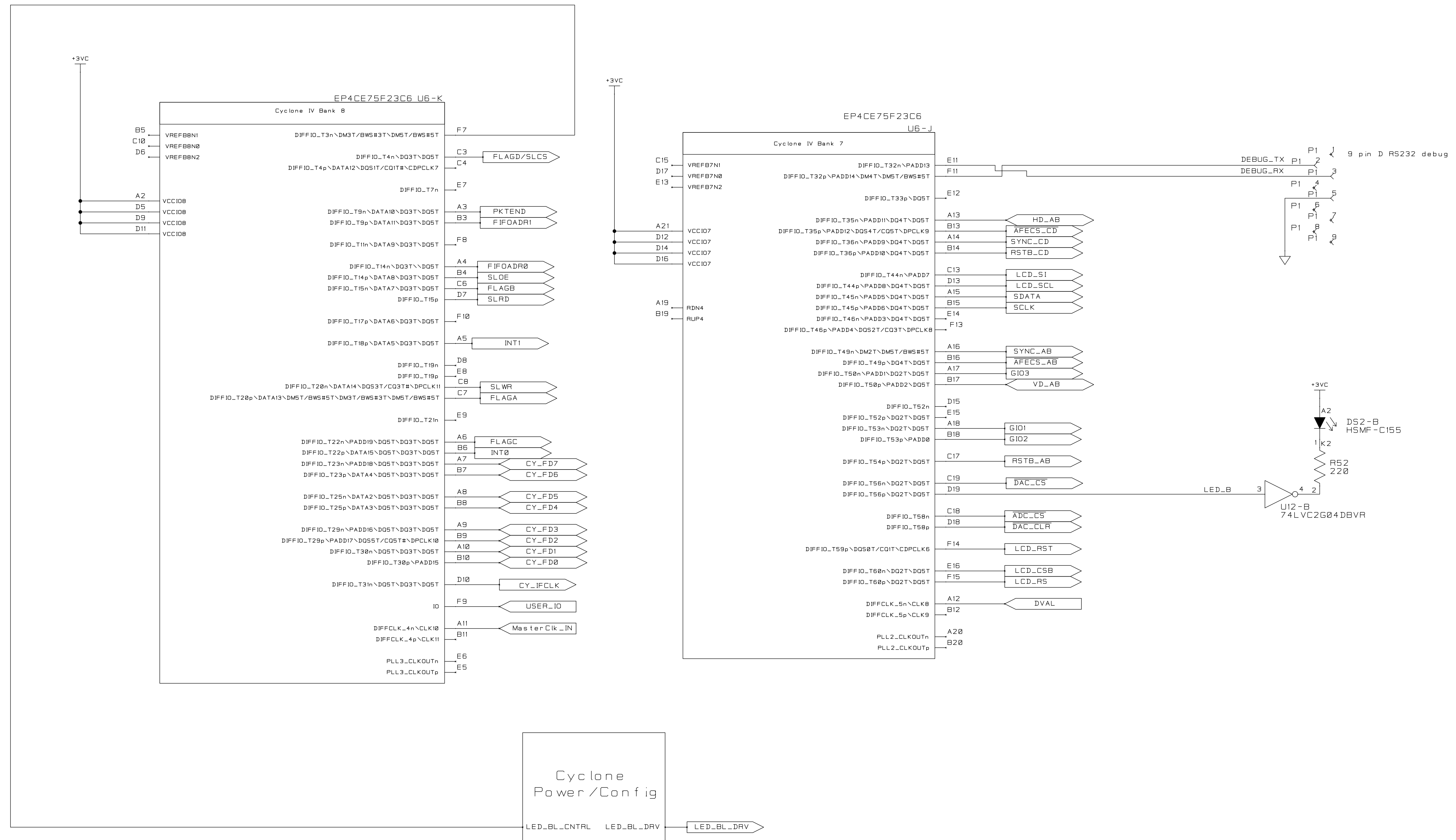


REVISIONS				
ZONE	SYM	DESCRIPTION	DATE	APPROVAL



UNLESS OTHERWISE SPECIFIED				MATERIAL		DIMENSIONS APPLY AFTER FINISH WHERE TOTAL TOLERANCE IS .001 INCHES OR LESS AND ON ALL THREADS. IN ALL OTHER PLACES DIMENSIONS APPLY BEFORE FINISH.		ON Semiconductor Inc.	
DIM. ARE IN				FINISH		DR		NAME	
2 PL DEC TOL ±				✓		QA CHK		Gen2 FPGA Rev2	
3 PL DEC TOL ±						ENGR		Assembly 20361105	
ANGULAR TOL ±						ENGR		SIZE	
SURF ROUGHNESS						ECN NO.		D	
EDGES						REL DATE		DWG NO.	
INSIDE RADII						SCALE		PROGRAM CADSTAR SHEET	
NEXT ASSY		USED ON		NEXT ASSY		FINAL ASSY			
APPLICATION		QUANTITY		REQD					

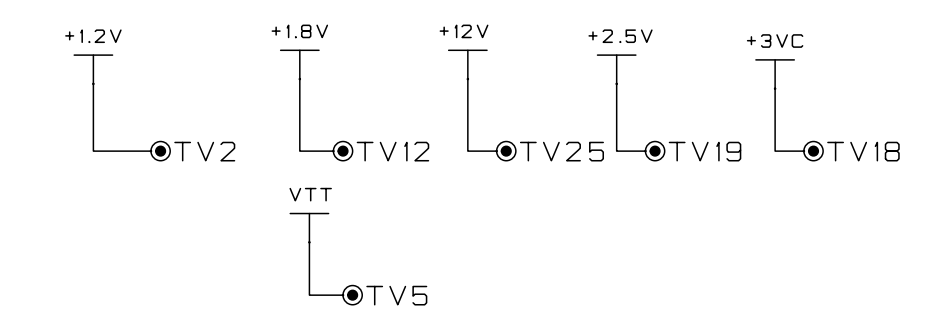
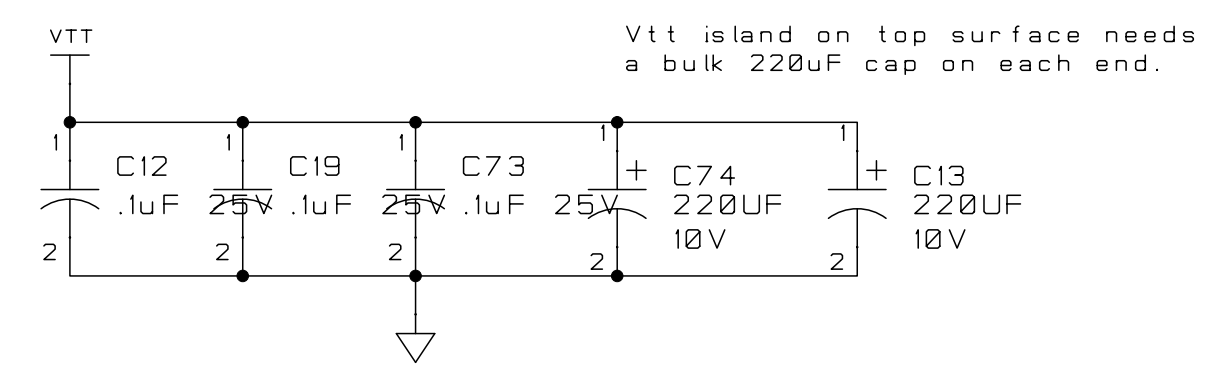
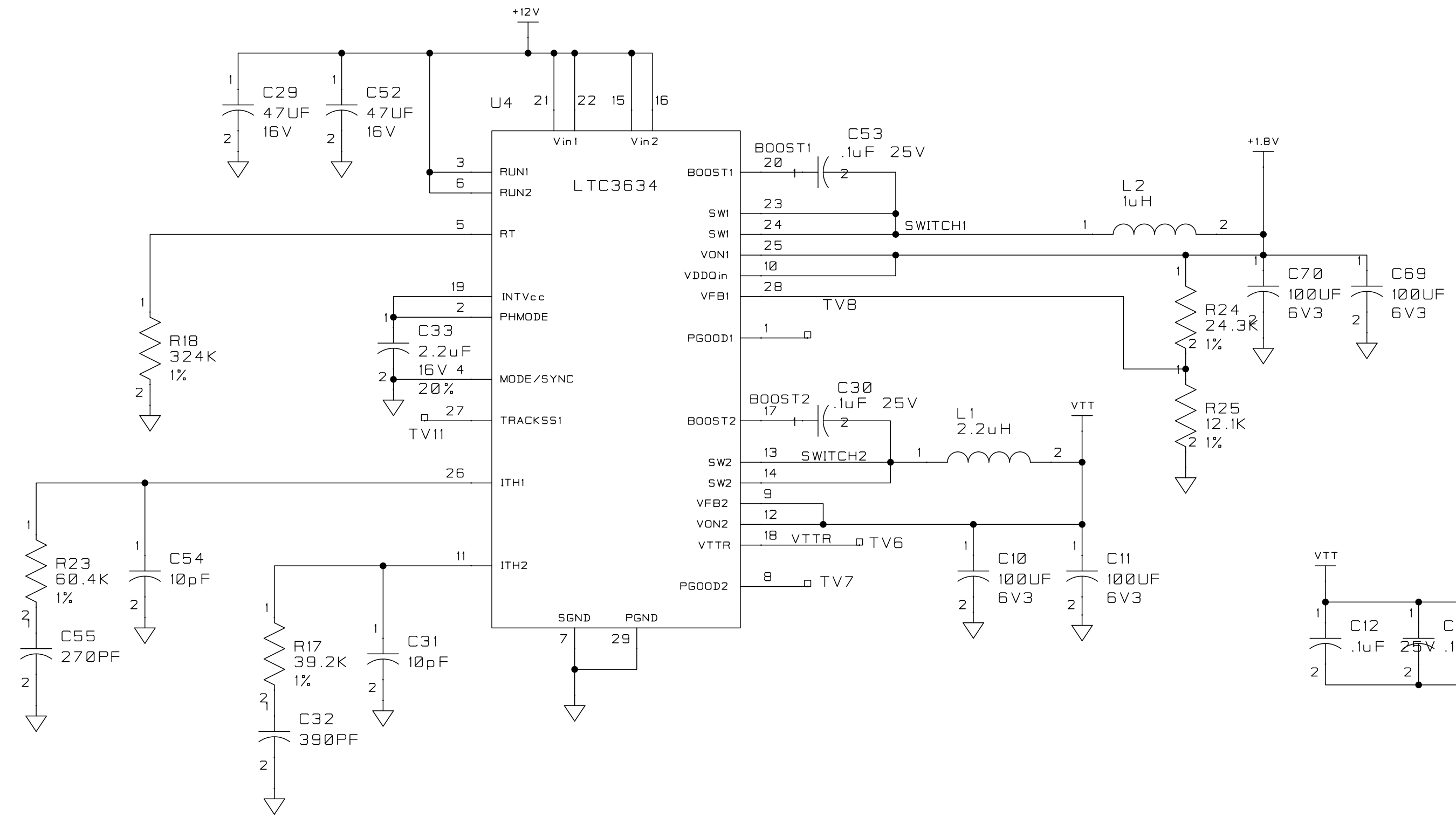
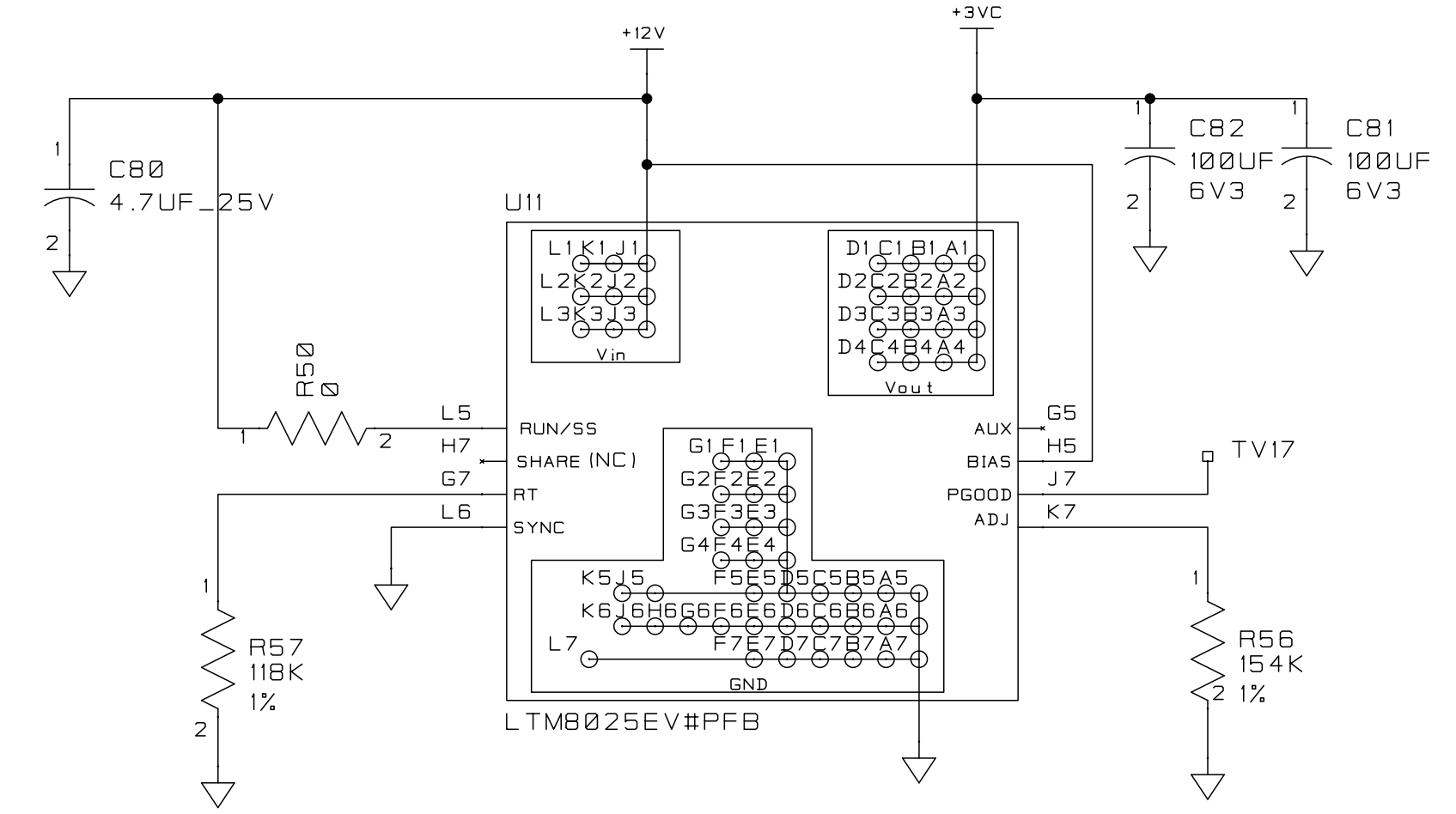
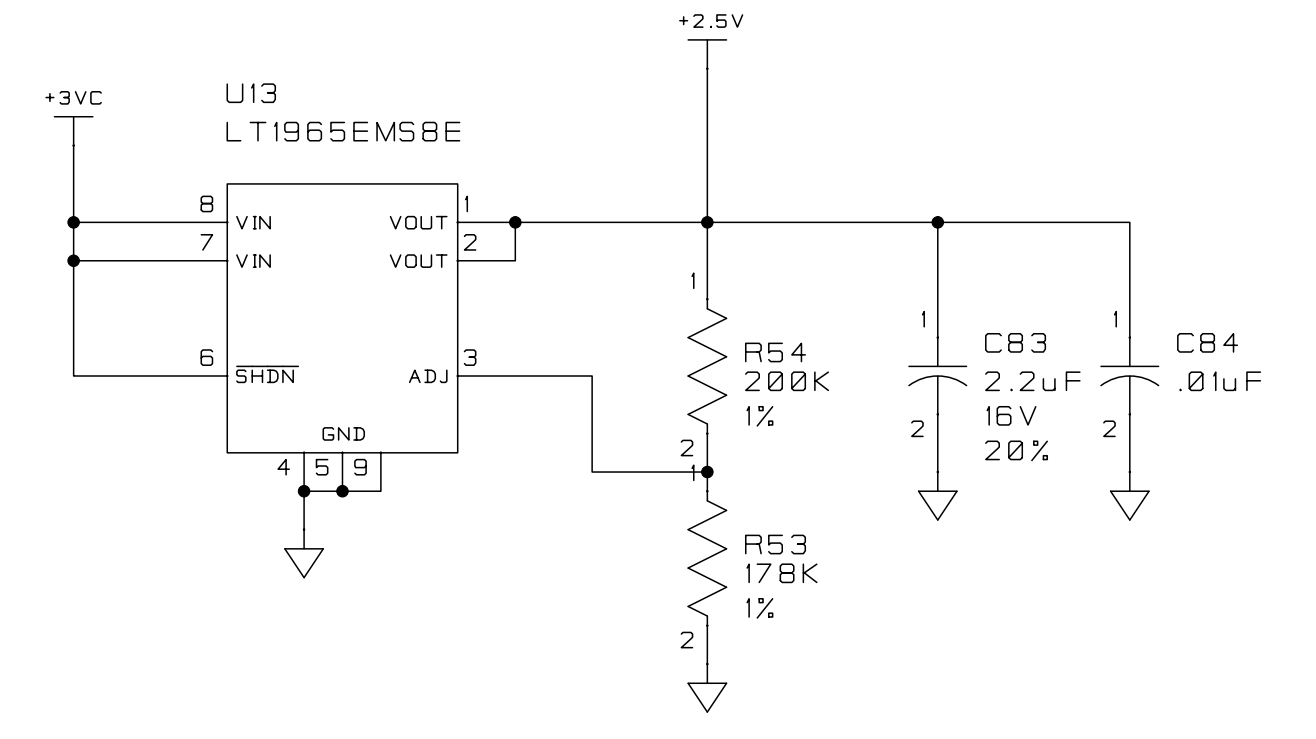
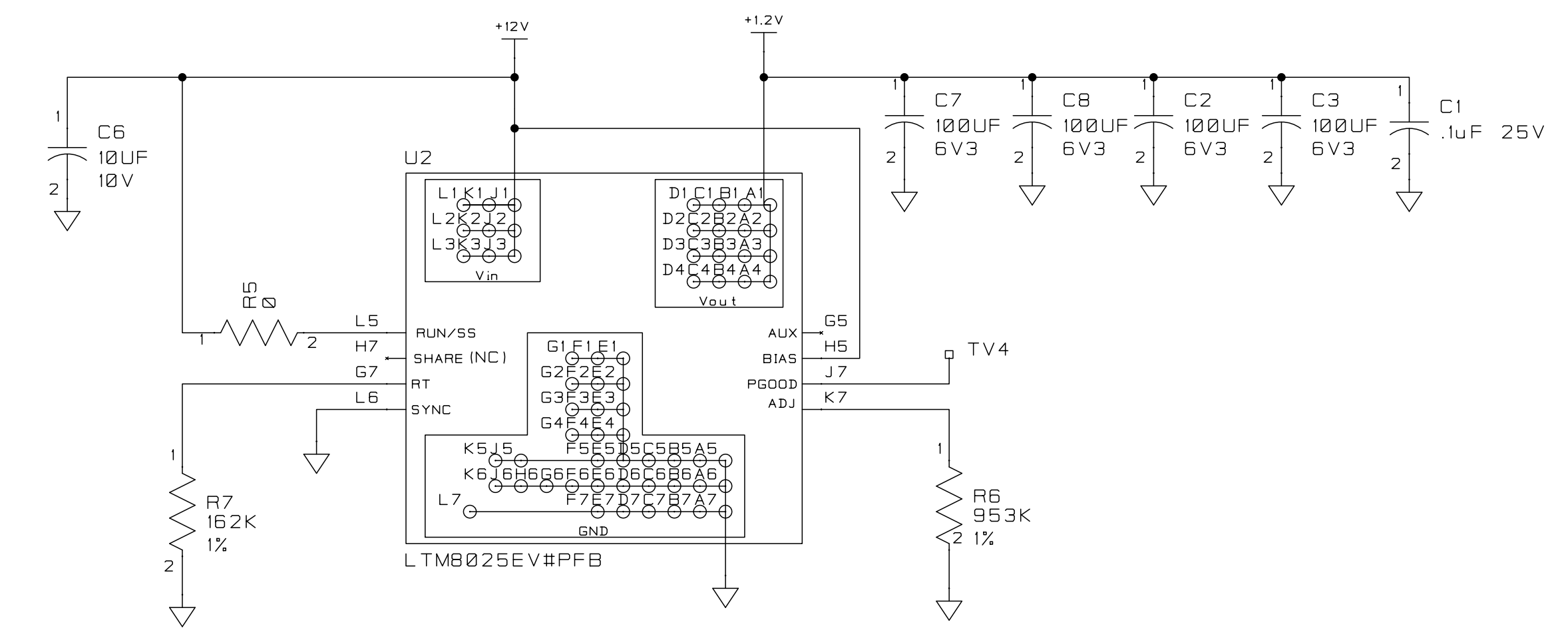
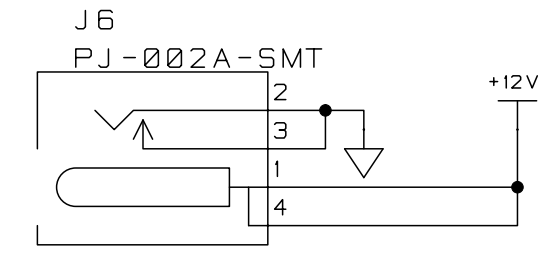
REVISIONS				
ZONE	SYM	DESCRIPTION	DATE	APPROVAL



UNLESS OTHERWISE SPECIFIED	MATERIAL	DIMENSIONS APPLY AFTER FINISH WHERE TOTAL TOLERANCE IS .001 INCHES OR LESS AND ON ALL THREADS. IN ALL OTHER PLACES DIMENSIONS APPLY BEFORE FINISH.	ON Semiconductor Inc.
DIM. ARE IN	FINISH	DR	NAME
2 PL DEC TOL ±		QA CHK	Gen2 FPGA Rev2
3 PL DEC TOL ±		ENGR	Assembly 20361105
ANGULAR TOL ±		ENGR	
SURF ROUGHNESS		ECN NO.	
EDGES		REL DATE	
INSIDE RADII			
NEXT ASSY	USED ON		SIZE
			D
			DWG NO.
APPLICATION	QUANTITY REQD		SCALE
			PROGRAM CADSTAR
			SHEET



REVISIONS				
ZONE	SYM	DESCRIPTION	DATE	APPROVAL



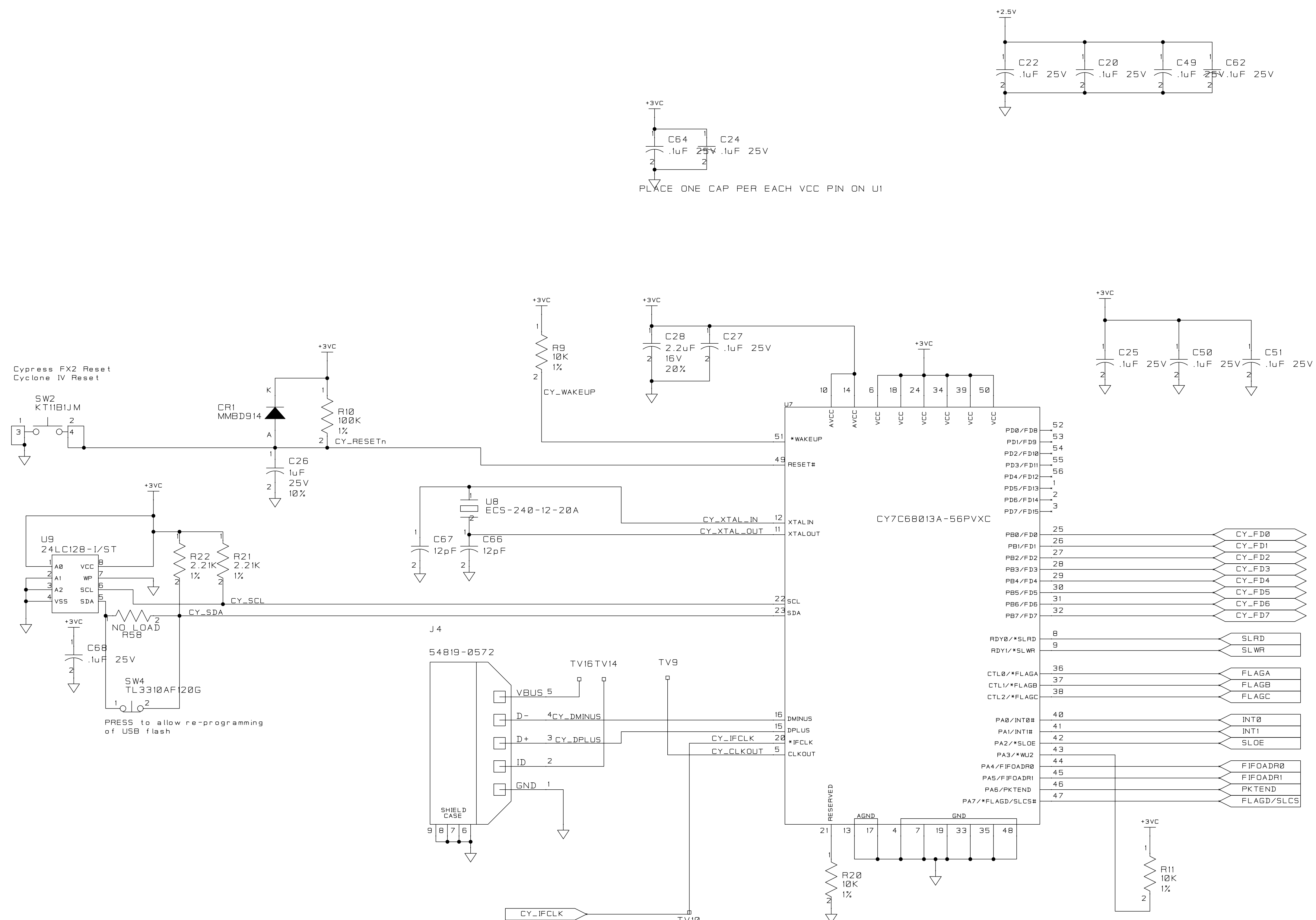
UNLESS OTHERWISE SPECIFIED				MATERIAL		DIMENSIONS APPLY AFTER FINISH WHERE TOTAL TOLERANCE IS .001 INCHES OR LESS AND ON ALL THREADS. IN ALL OTHER PLACES DIMENSIONS APPLY BEFORE FINISH.		ON Semiconductor Inc.	
DIM. ARE IN				FINISH		DR		NAME	
2 PL DEC TOL ±				✓		QA CHK		Gen2 FPGA Rev2	
3 PL DEC TOL ±						ENGR		Assembly 20361105	
ANGULAR TOL ±						ENGR		SIZE	
SURF ROUGHNESS						ECN NO.		D	
EDGES						REL DATE		DWG NO.	
INSIDE RADII						SCALE		PROGRAM CADSTAR	
NEXT ASSY		USED ON		NEXT ASSY		SHEET		PROGRAM CADSTAR	
APPLICATION		QUANTITY REQD				SCALE		PROGRAM CADSTAR	

8 7 6 5 4 3 2 1

D  
C  
B  
A

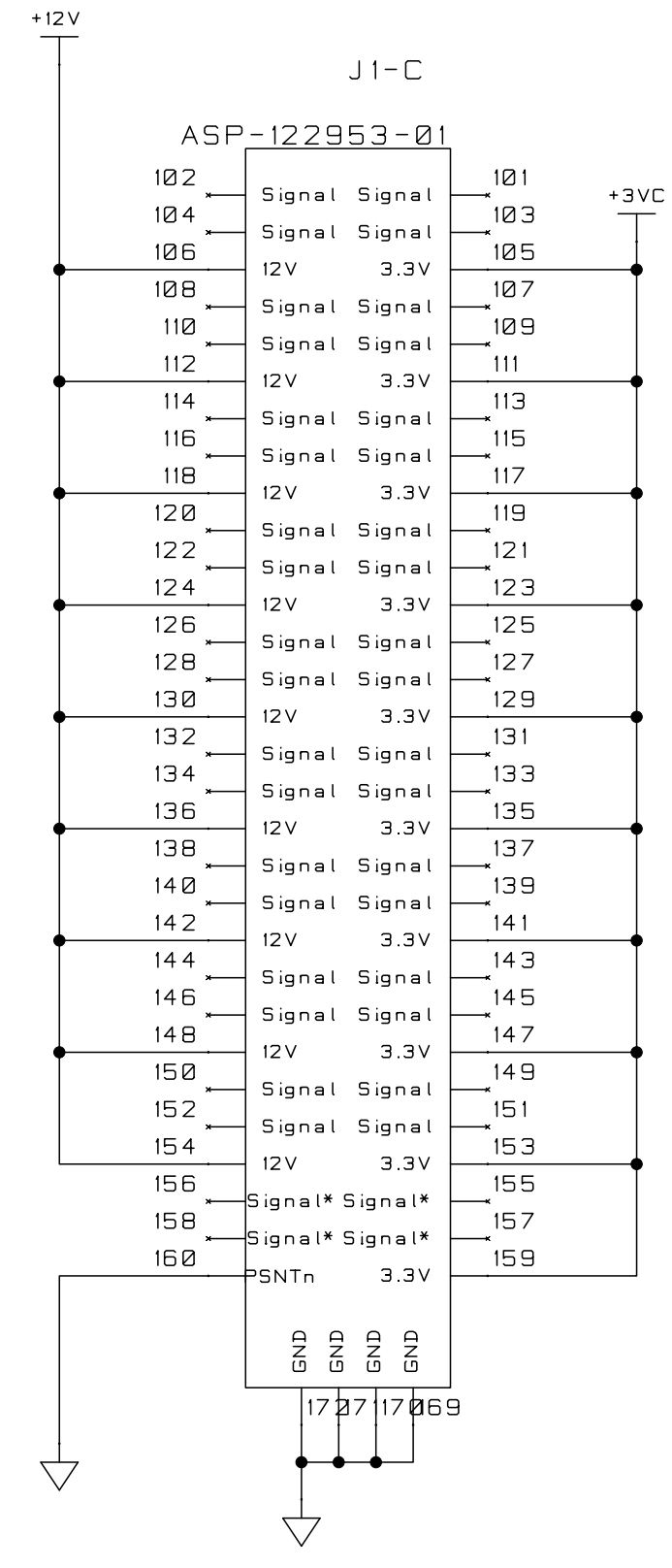
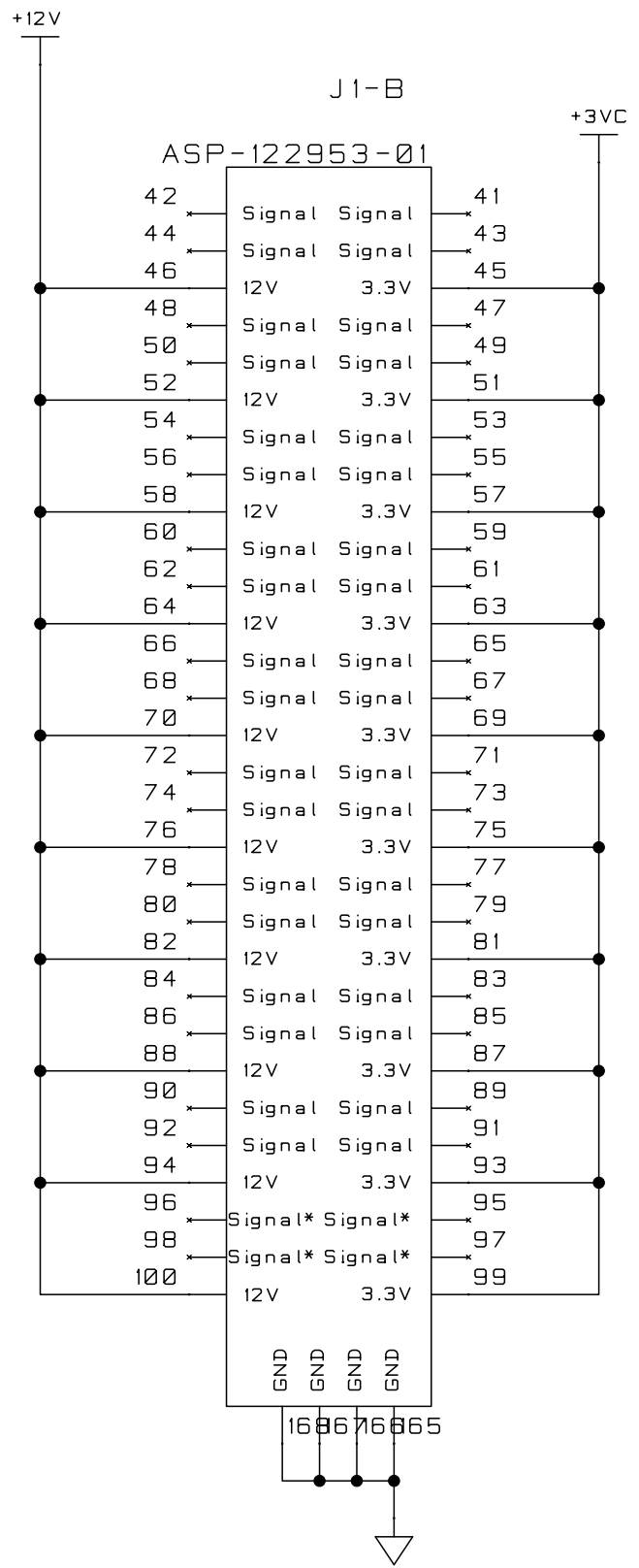
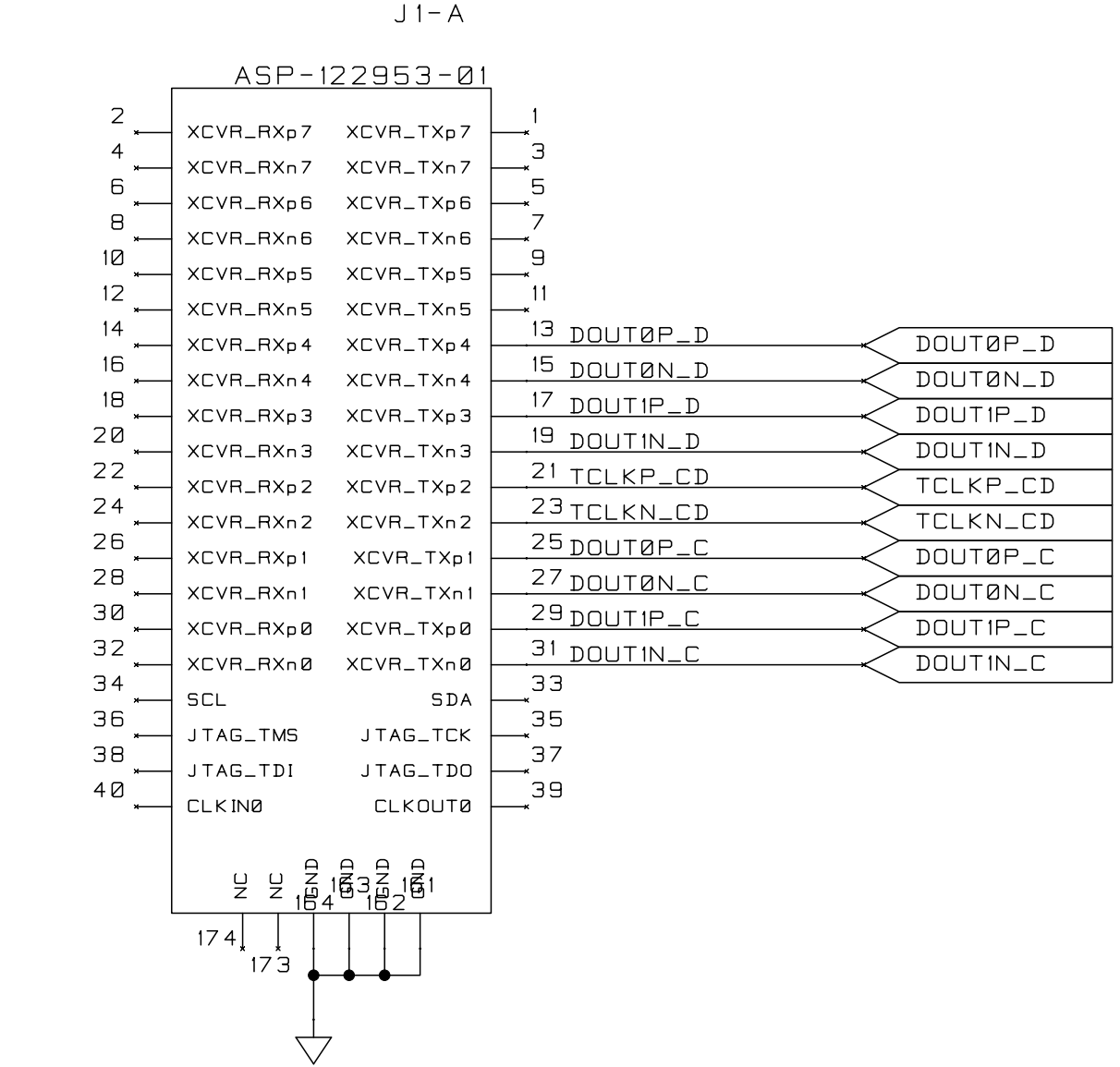
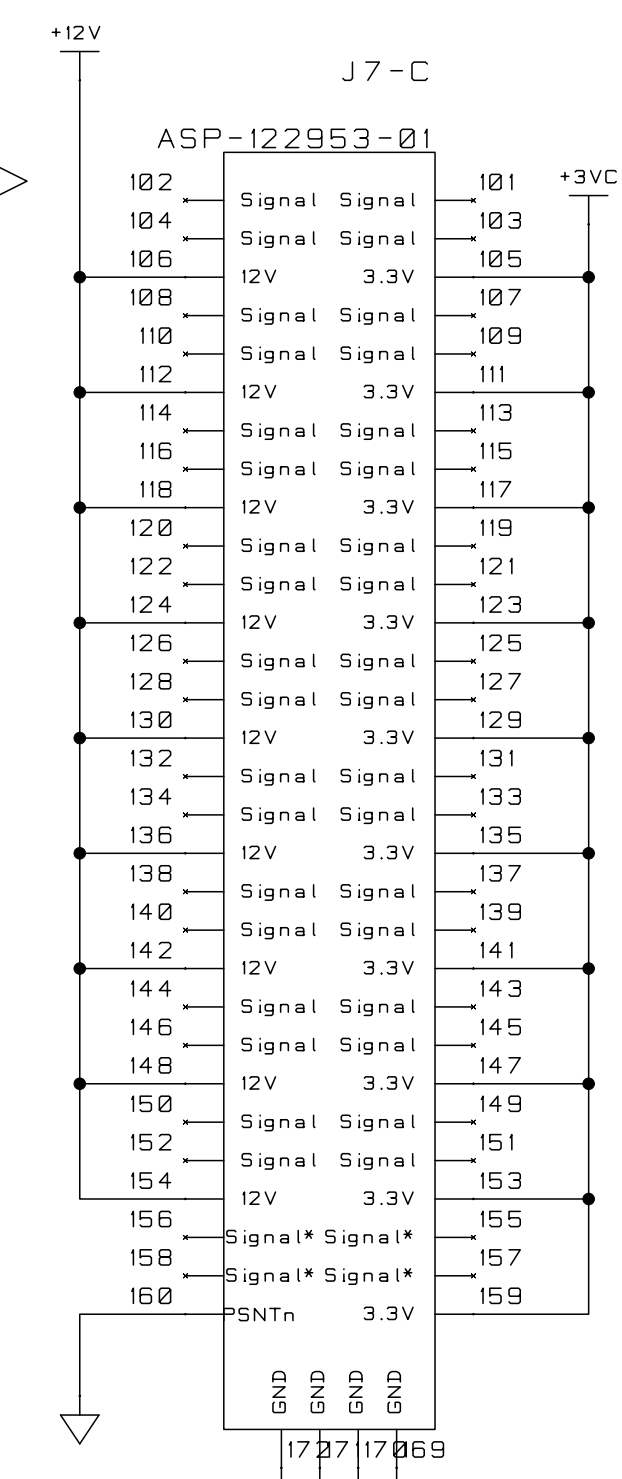
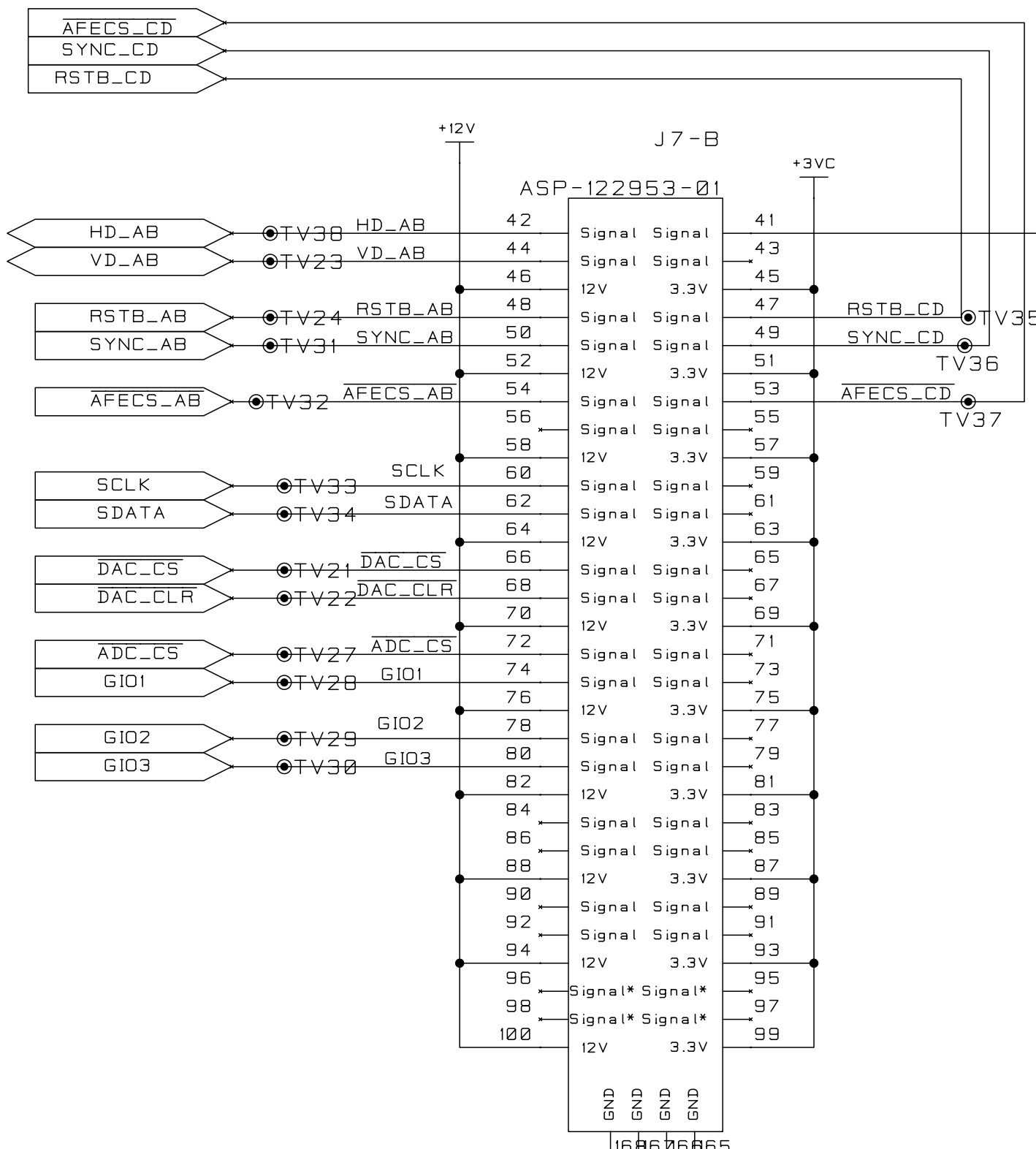
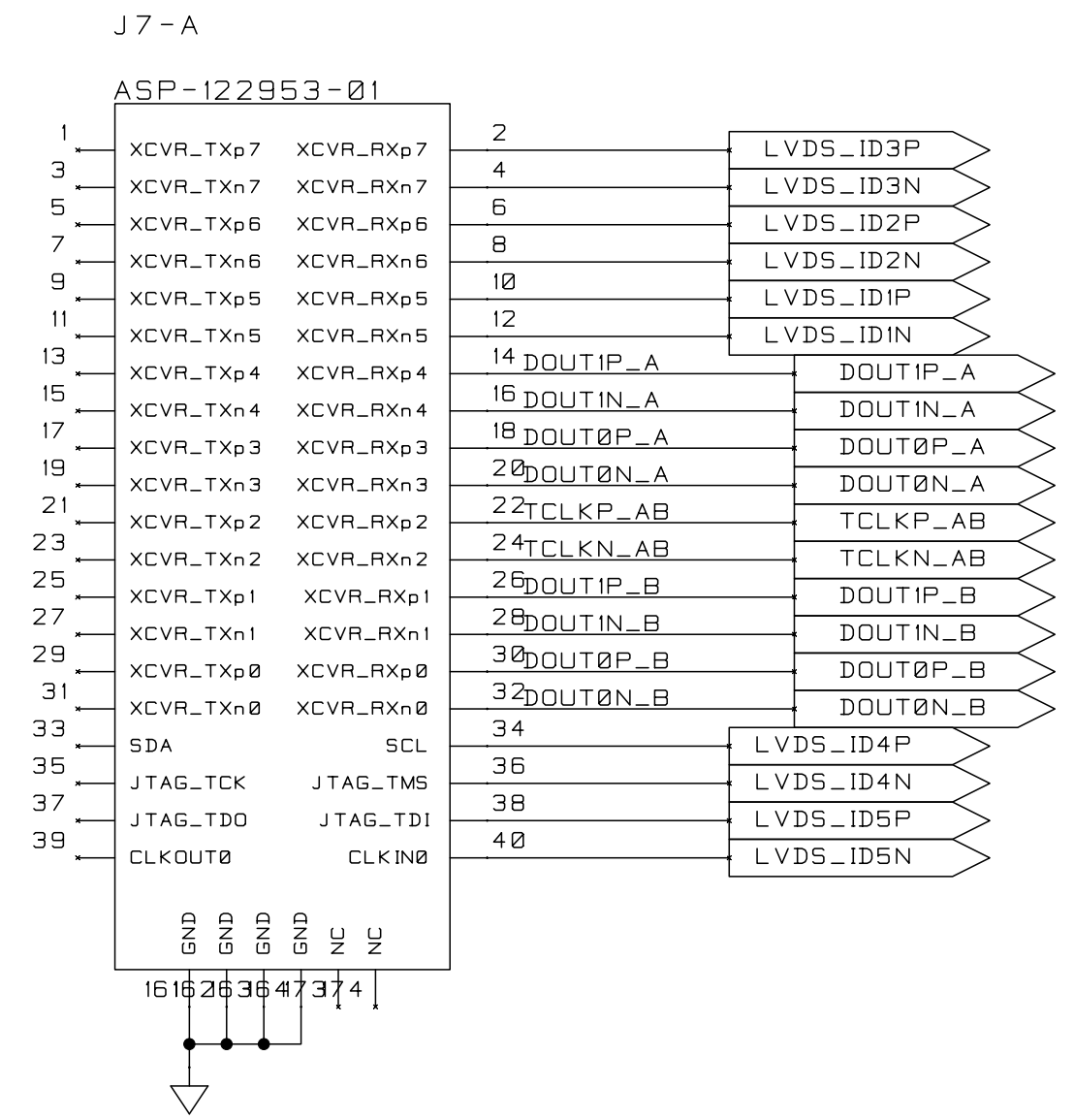
8 7 6 5 4 3 2 1

REVISIONS				
ZONE	SYM	DESCRIPTION	DATE	APPROVAL



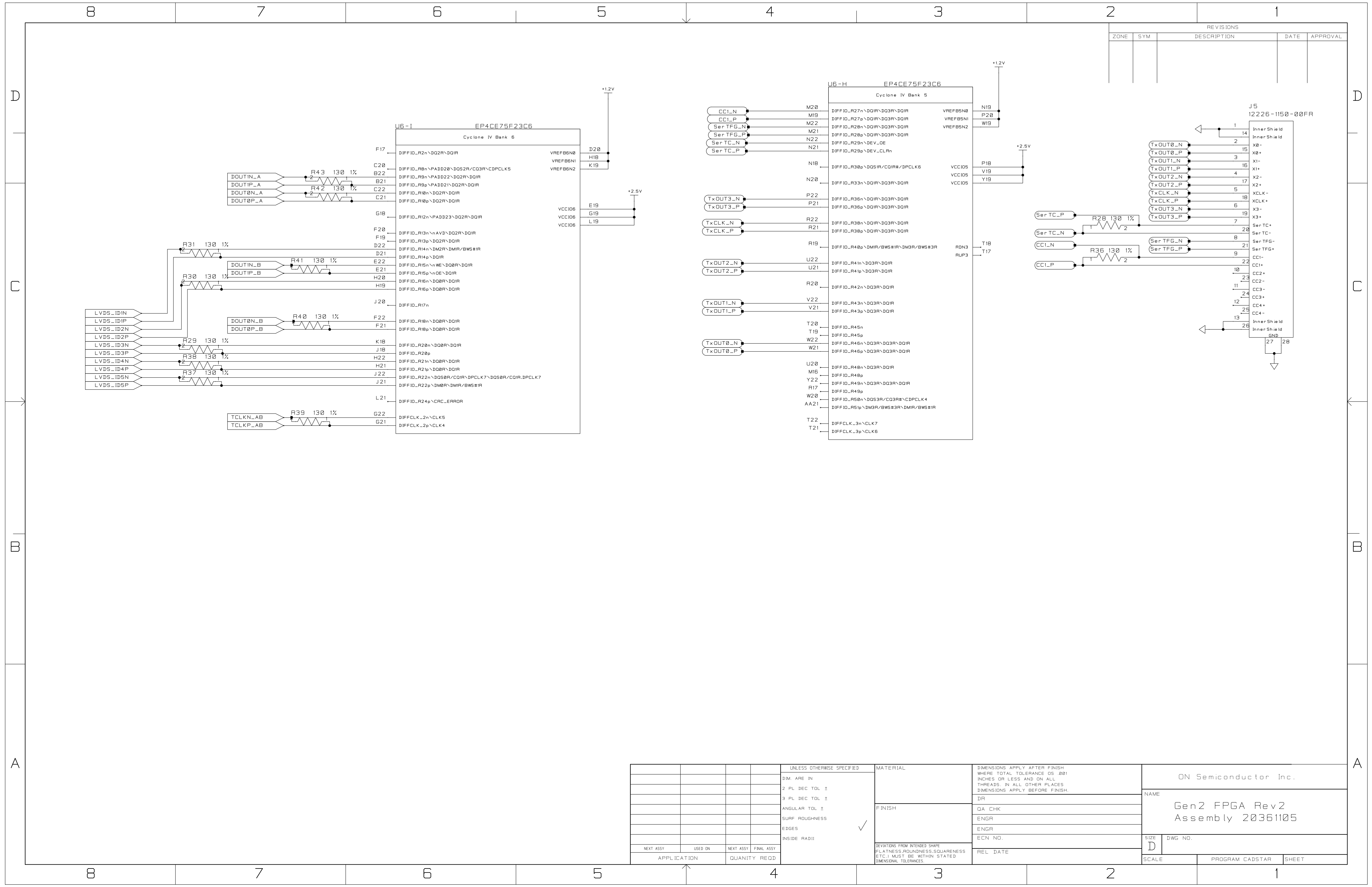
UNLESS OTHERWISE SPECIFIED	MATERIAL	DIMENSIONS APPLY AFTER FINISH WHERE TOTAL TOLERANCE IS .001 INCHES OR LESS AND ON ALL THREADS. IN ALL OTHER PLACES DIMENSIONS APPLY BEFORE FINISH.	ON Semiconductor Inc.
DIM. ARE IN	FINISH	DR	NAME
2 PL DEC TOL ±		QA CHK	Gen2 FPGA Rev2
3 PL DEC TOL ±	✓	ENGR	Assembly 20361105
ANGULAR TOL ±		ENGR	SIZE
SURF ROUGHNESS		ECN NO.	D
EDGES	DEVIATIONS FROM INTENDED SHAPE FLATNESS, ROUNDNESS, SQUARENESS ETC.) MUST BE WITHIN STATED DIMENSIONAL TOLERANCES.	REL DATE	DWG NO.
INSIDE RADII			SCALE
NEXT ASSY	USED ON		PROGRAM CADSTAR
APPLICATION	QUANTITY REQD		SHEET

REVISIONS				
ZONE	SYM	DESCRIPTION	DATE	APPROVAL



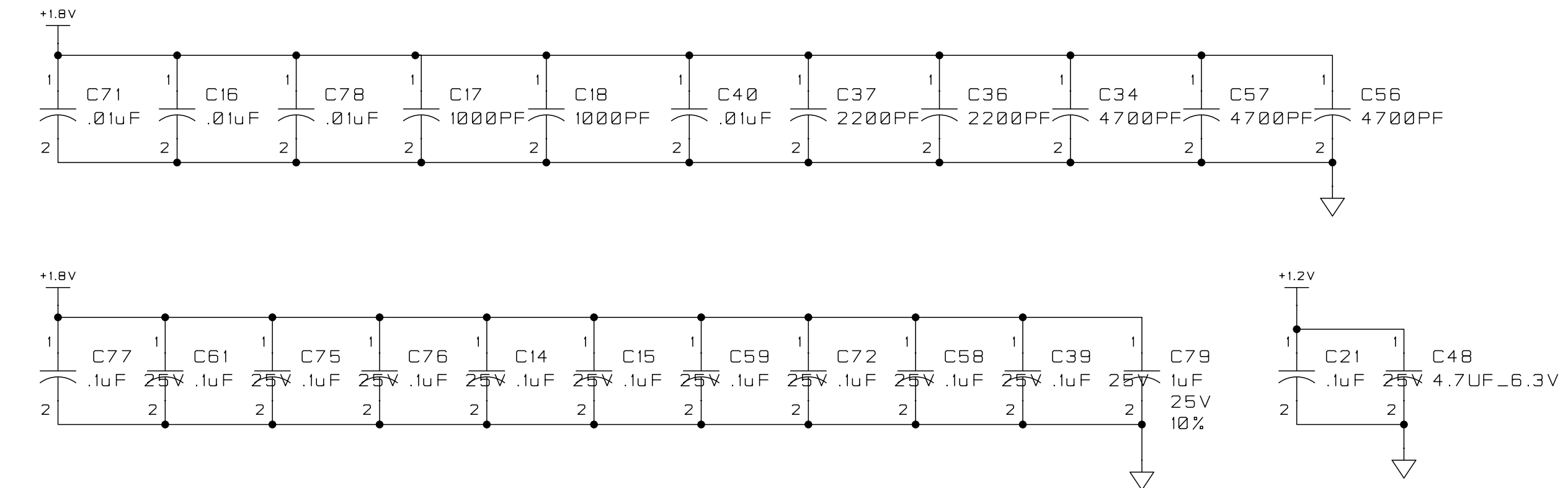
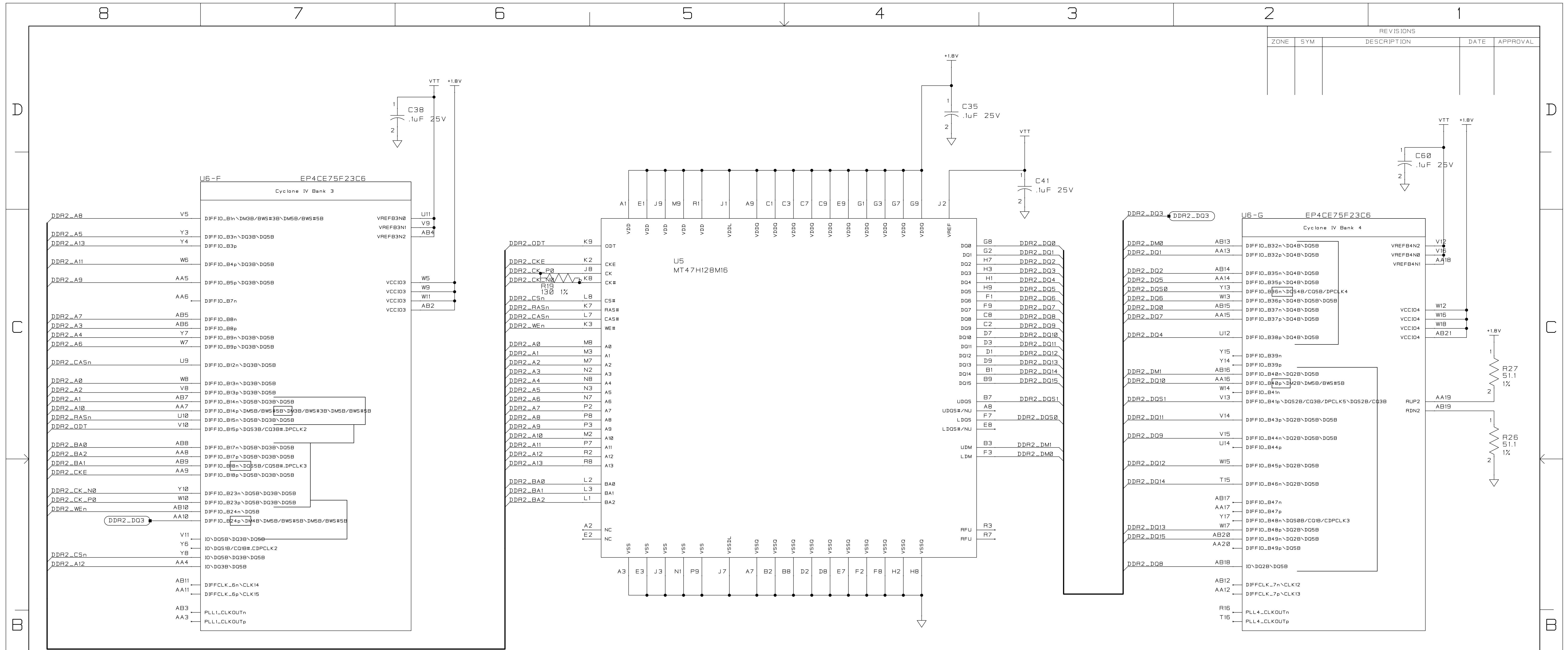
UNLESS OTHERWISE SPECIFIED		MATERIAL		DIMENSIONS APPLY AFTER FINISH WHERE TOTAL TOLERANCE IS .001 INCHES OR LESS AND ON ALL THREADS. IN ALL OTHER PLACES DIMENSIONS APPLY BEFORE FINISH.	
DIM. ARE IN		FINISH		NAME	
2 PL DEC TOL ±		✓		ON Semiconductor Inc.	
3 PL DEC TOL ±				Gen2 FPGA Rev2	
ANGULAR TOL ±				Assembly 20361105	
SURF ROUGHNESS				SIZE D	
EDGES				DWG NO.	
INSIDE RADII				SCALE	
NEXT ASSY	USED ON	NEXT ASSY	FINAL ASSY	REL DATE	PROGRAM CADSTAR
					SHEET
APPLICATION		QUANTITY REQD			

REVISIONS				
ZONE	SYM	DESCRIPTION	DATE	APPROVAL



UNLESS OTHERWISE SPECIFIED		MATERIAL		DIMENSIONS APPLY AFTER FINISH WHERE TOTAL TOLERANCE IS .001 INCHES OR LESS AND ON ALL THREADS. IN ALL OTHER PLACES DIMENSIONS APPLY BEFORE FINISH.		ON Semiconductor Inc.	
DIM. ARE IN		FINISH		DR		NAME	
2 PL DEC TOL ±		✓		QA CHK		Gen2 FPGA Rev2	
3 PL DEC TOL ±				ENGR		Assembly 20361105	
ANGULAR TOL ±				ENGR		SIZE	
SURF ROUGHNESS				ECN NO.		D	
EDGES				REL DATE		DWG NO.	
INSIDE RADII							
NEXT ASSY	USED ON	NEXT ASSY	FINAL ASSY	SCALE		PROGRAM CADSTAR SHEET	

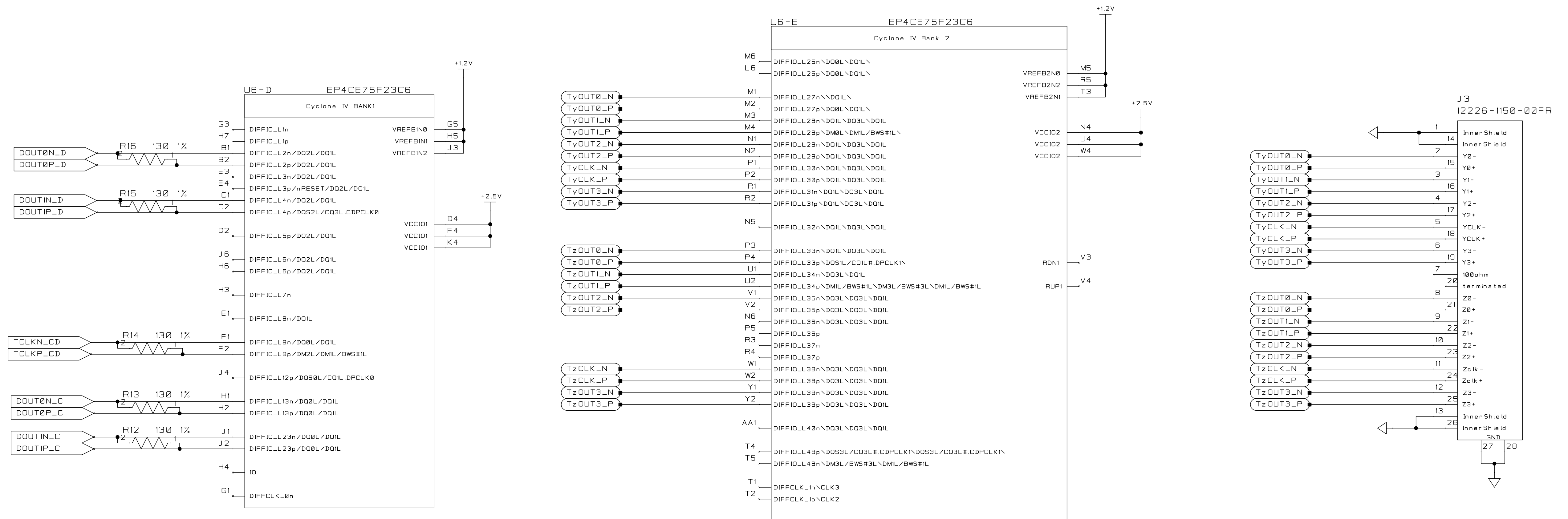
REVISIONS				
ZONE	SYM	DESCRIPTION	DATE	APPROVAL



UNLESS OTHERWISE SPECIFIED				MATERIAL		DIMENSIONS APPLY AFTER FINISH WHERE TOTAL TOLERANCE IS .001 INCHES OR LESS AND ON ALL THREADS. IN ALL OTHER PLACES DIMENSIONS APPLY BEFORE FINISH.		ON Semiconductor Inc.	
DIM. ARE IN				FINISH		DR		NAME	
2 PL DEC TOL ±				✓		QA CHK		Gen2 FPGA Rev2	
3 PL DEC TOL ±						ENGR		Assembly 20361105	
ANGULAR TOL ±						ENGR			
SURF ROUGHNESS						ECN NO.		SIZE	
EDGES						REL DATE		D	
INSIDE RADII								DWG NO.	
NEXT ASSY		USED ON		NEXT ASSY		NEXT ASSY		SCALE	
APPLICATION		QUANTITY REQD						PROGRAM CADSTAR	
								SHEET	

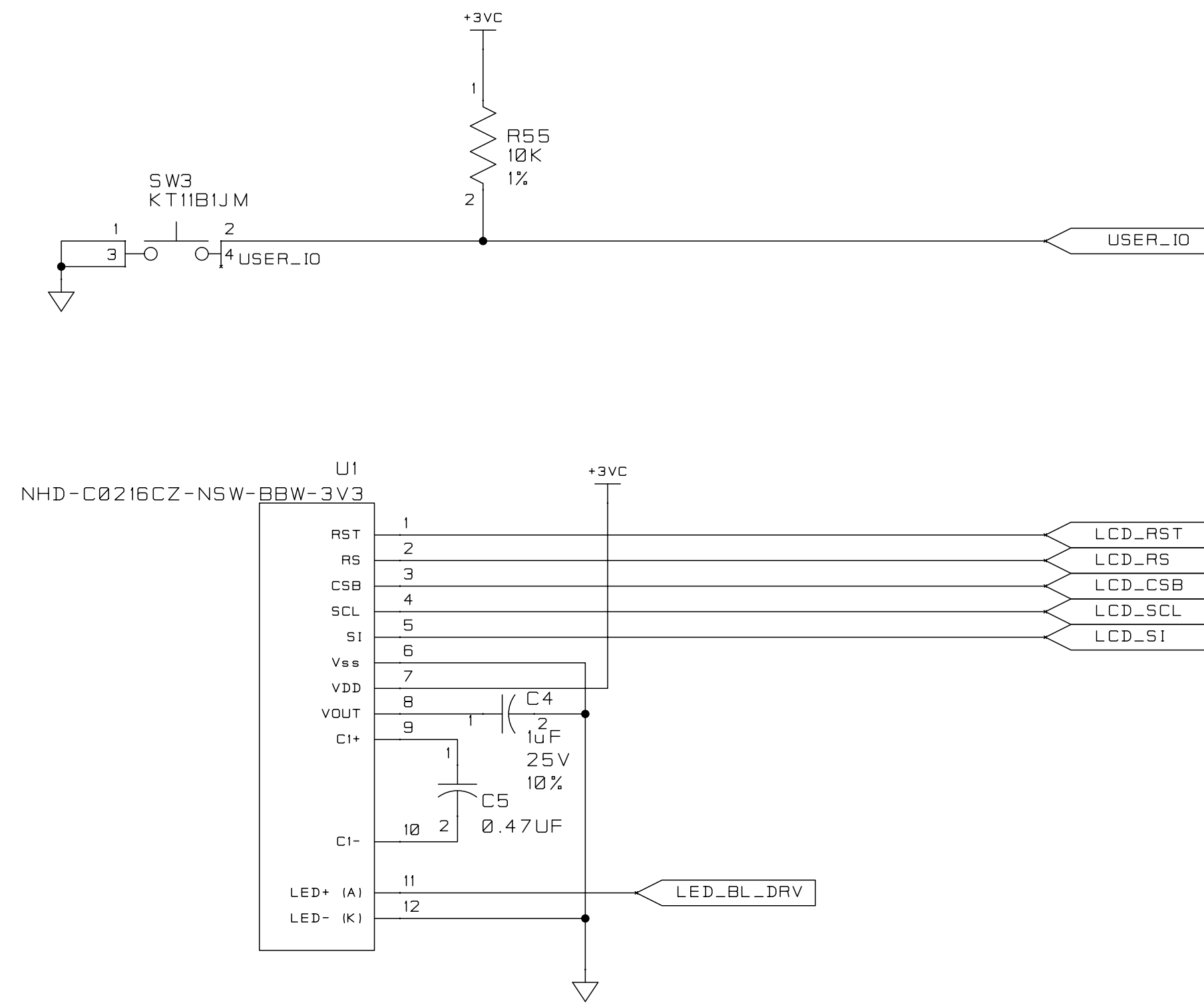


REVISIONS				
ZONE	SYM	DESCRIPTION	DATE	APPROVAL



UNLESS OTHERWISE SPECIFIED	MATERIAL	DIMENSIONS APPLY AFTER FINISH WHERE TOTAL TOLERANCE IS .001 INCHES OR LESS AND ON ALL THREADS. IN ALL OTHER PLACES DIMENSIONS APPLY BEFORE FINISH.		ON Semiconductor Inc.
DIM. ARE IN	FINISH	DR	NAME	Gen2 FPGA Rev2 Assembly 20361105
2 PL DEC TOL ±		QA CHK	SIZE	
3 PL DEC TOL ±	✓	ENGR	DWG NO.	D
ANGULAR TOL ±		ENGR	SCALE	PROGRAM CADSTAR
SURF ROUGHNESS	DEVIATIONS FROM INTENDED SHAPE (FLATNESS, ROUNDNESS, SQUARENESS ETC.) MUST BE WITHIN STATED DIMENSIONAL TOLERANCES.	ECN NO.	SHEET	
EDGES	REL DATE			
INSIDE RADII				
NEXT ASSY	USED ON	NEXT ASSY	FINAL ASSY	
APPLICATION	QUANTITY REQD			

REVISIONS				
ZONE	SYM	DESCRIPTION	DATE	APPROVAL



				UNLESS OTHERWISE SPECIFIED	MATERIAL	DIMENSIONS APPLY AFTER FINISH WHERE TOTAL TOLERANCE IS .001 INCHES OR LESS AND ON ALL THREADS. IN ALL OTHER PLACES DIMENSIONS APPLY BEFORE FINISH.	ON Semiconductor Inc.
				DIM. ARE IN			NAME
				2 PL DEC TOL ±			Gen2 FPGA Rev2
				3 PL DEC TOL ±			Assembly 20361105
				ANGULAR TOL ±	FINISH	DR	
				SURF ROUGHNESS		QA CHK	
				EDGES		ENGR	
				INSIDE RADII		ENGR	
						ECN NO.	
				NEXT ASSY			SIZE
				USED ON			D
				NEXT ASSY			DWG NO.
				FINAL ASSY			
				APPLICATION		REL DATE	SCALE
							PROGRAM CADSTAR
				QUANTITY REQD			SHEET

Digikey#	DESCRIPTION	PART_NAME	PART_NUMBER
	0 Serial Configuration PROM	U3	EPCS128S16N
	2G bit x 16 DDR2	U5	MT47H128M16
WM3699CT-ND	HEADER ASSY 10 POS 2 ROW SMT	J2	15916102
516-1456-1-ND	LED BI-CLR SURF MT	DS2	HSMF-C155
541-953KHCT-ND	RESISTOR 953K 1/16W 1%	R6	CRCW06039533KFKEA
LTM8050EV#PFB-ND	Step Down uModule Regulator	U11	LTM8025
541-154KHCT-ND	RESISTOR 154K 1/16W 1%	R56	CRCW0603154KFKEA
541-118KHCT-ND	RESISTOR 118K 1/16W 1%	R57	CRCW08603118KFKEA
541-60.4KHCT-ND	RESISTOR 60.4 K 1/16W 1%	R23	CRCW060360K4KFKEA
LTM8050EV#PFB-ND	Step Down uModule Regulator	U2	LTM8025
399-1069-1-ND	CAP 390PF 50WVDC 5%	C32	C0603C391J5GACTU
ASP-122953-01	CONNECTOR 5mm BOARD TO BOARD HOST	J1	ASP-122953-01
ASP-122953-01	CONNECTOR 5mm BOARD TO BOARD HOST	J7	ASP-122953-01
CTX283CT-ND	CRYSTAL OSCILLATOR 50MHz 50ppm	U10	CB3-3C-50MHZ
PCC120ACVCT-ND	CAP 12PF 50VDC 10%	C66	C0603C120J5GAC
PCC120ACVCT-ND	CAP 12PF 50VDC 10%	C67	C0603C120J5GAC
XC1009DKR-ND	ECS SMD QUARTZ CRYSTAL	U8	ECS-240-12-20A
LTC3634EUF#TRPBF	15V 3A monolithic Step-Down Regulator for DDR Power	U4	LTC3634EUF#TRPBF
MSDV26-ND	Camera Link SDR Connector Vertical Leaded	J3	12226-1150-00FR
MSDV26-ND	Camera Link SDR Connector Vertical Leaded	J5	12226-1150-00FR
	0 USB Microcontroller	U7	CY7C68013A-56PVXC
NHD-C0216CZ-NSW-BBW-3V3-ND	COG LCD Display 2 Line 16 Char	U1	NHD-C0216CZ
85R6693newark	Altera Cyclone FPGA 1mmx1mm	U6	EP4CE75F23C6
	0 IC EEPROM 128KBIT 400KHZ 8SOIC	U9	24LC128-I/ST
74LCX541BQX-ND	OCTAL BUFFER DQFN package	U14	74LCX541BQX
E4588CT-ND	E-SWITCH MOMENTARY NC	SW4	TL3310AF120G
CKN1835CT-ND	SWITCH MOMENTARY	SW1	KT11B1JM34LFS
CKN1835CT-ND	SWITCH MOMENTARY	SW2	KT11B1JM34LFS
CKN1835CT-ND	SWITCH MOMENTARY	SW3	KT11B1JM34LFS
478-3726-1-ND	CAP .1UF 25WVDC 20%	C27	GRM3995V104Z025AD
478-3726-1-ND	CAP .1UF 25WVDC 20%	C15	GRM3995V104Z025AD
478-3726-1-ND	CAP .1UF 25WVDC 20%	C14	GRM3995V104Z025AD
478-3726-1-ND	CAP .1UF 25WVDC 20%	C77	GRM3995V104Z025AD
478-3726-1-ND	CAP .1UF 25WVDC 20%	C76	GRM3995V104Z025AD
478-3726-1-ND	CAP .1UF 25WVDC 20%	C75	GRM3995V104Z025AD
478-3726-1-ND	CAP .1UF 25WVDC 20%	C21	GRM3995V104Z025AD
478-3726-1-ND	CAP .1UF 25WVDC 20%	C12	GRM3995V104Z025AD
478-3726-1-ND	CAP .1UF 25WVDC 20%	C38	GRM3995V104Z025AD
478-3726-1-ND	CAP .1UF 25WVDC 20%	C60	GRM3995V104Z025AD
478-3726-1-ND	CAP .1UF 25WVDC 20%	C73	GRM3995V104Z025AD
478-3726-1-ND	CAP .1UF 25WVDC 20%	C35	GRM3995V104Z025AD
478-3726-1-ND	CAP .1UF 25WVDC 20%	C20	GRM3995V104Z025AD
478-3726-1-ND	CAP .1UF 25WVDC 20%	C22	GRM3995V104Z025AD
478-3726-1-ND	CAP .1UF 25WVDC 20%	C24	GRM3995V104Z025AD
478-3726-1-ND	CAP .1UF 25WVDC 20%	C19	GRM3995V104Z025AD
478-3726-1-ND	CAP .1UF 25WVDC 20%	C41	GRM3995V104Z025AD
478-3726-1-ND	CAP .1UF 25WVDC 20%	C1	GRM3995V104Z025AD
478-3726-1-ND	CAP .1UF 25WVDC 20%	C53	GRM3995V104Z025AD
478-3726-1-ND	CAP .1UF 25WVDC 20%	C30	GRM3995V104Z025AD
478-3726-1-ND	CAP .1UF 25WVDC 20%	C62	GRM3995V104Z025AD
478-3726-1-ND	CAP .1UF 25WVDC 20%	C58	GRM3995V104Z025AD
478-3726-1-ND	CAP .1UF 25WVDC 20%	C72	GRM3995V104Z025AD
478-3726-1-ND	CAP .1UF 25WVDC 20%	C39	GRM3995V104Z025AD
478-3726-1-ND	CAP .1UF 25WVDC 20%	C59	GRM3995V104Z025AD
478-3726-1-ND	CAP .1UF 25WVDC 20%	C64	GRM3995V104Z025AD
478-3726-1-ND	CAP .1UF 25WVDC 20%	C9	GRM3995V104Z025AD
478-3726-1-ND	CAP .1UF 25WVDC 20%	C65	GRM3995V104Z025AD
478-3726-1-ND	CAP .1UF 25WVDC 20%	C51	GRM3995V104Z025AD
478-3726-1-ND	CAP .1UF 25WVDC 20%	C68	GRM3995V104Z025AD
478-3726-1-ND	CAP .1UF 25WVDC 20%	C50	GRM3995V104Z025AD
478-3726-1-ND	CAP .1UF 25WVDC 20%	C25	GRM3995V104Z025AD
478-3726-1-ND	CAP .1UF 25WVDC 20%	C61	GRM3995V104Z025AD
478-3726-1-ND	CAP .1UF 25WVDC 20%	C49	GRM3995V104Z025AD
P1.0KGCT-ND	RESISTOR 1.0K 1/16W 1%	R3	ERJ-3GEY1102V
	0 CAP 270PF 50WVDC 5%	C55	C0603C271K5RAC
	0 Ceramic CAP 47UF 16V 20% X5R	C29	C1210C476M4PAC
	0 Ceramic CAP 47UF 16V 20% X5R	C52	C1210C476M4PAC
541-130LCT-ND	RESISTOR 130 ohm 1/16W 1%	R28	CRCW0402130RFNED
541-130LCT-ND	RESISTOR 130 ohm 1/16W 1%	R14	CRCW0402130RFNED
541-130LCT-ND	RESISTOR 130 ohm 1/16W 1%	R13	CRCW0402130RFNED
541-130LCT-ND	RESISTOR 130 ohm 1/16W 1%	R12	CRCW0402130RFNED
541-130LCT-ND	RESISTOR 130 ohm 1/16W 1%	R16	CRCW0402130RFNED
541-130LCT-ND	RESISTOR 130 ohm 1/16W 1%	R15	CRCW0402130RFNED
541-130LCT-ND	RESISTOR 130 ohm 1/16W 1%	R40	CRCW0402130RFNED
541-130LCT-ND	RESISTOR 130 ohm 1/16W 1%	R41	CRCW0402130RFNED
541-130LCT-ND	RESISTOR 130 ohm 1/16W 1%	R42	CRCW0402130RFNED
541-130LCT-ND	RESISTOR 130 ohm 1/16W 1%	R43	CRCW0402130RFNED
541-130LCT-ND	RESISTOR 130 ohm 1/16W 1%	R19	CRCW0402130RFNED
541-130LCT-ND	RESISTOR 130 ohm 1/16W 1%	R30	CRCW0402130RFNED
541-130LCT-ND	RESISTOR 130 ohm 1/16W 1%	R29	CRCW0402130RFNED
541-130LCT-ND	RESISTOR 130 ohm 1/16W 1%	R31	CRCW0402130RFNED
541-130LCT-ND	RESISTOR 130 ohm 1/16W 1%	R38	CRCW0402130RFNED
541-130LCT-ND	RESISTOR 130 ohm 1/16W 1%	R37	CRCW0402130RFNED
541-130LCT-ND	RESISTOR 130 ohm 1/16W 1%	R36	CRCW0402130RFNED
541-130LCT-ND	RESISTOR 130 ohm 1/16W 1%	R39	CRCW0402130RFNED
PCC2321CT-ND	CERCAP 4.7UF 25WVDC 20% X5R	C80	PCC2321CT-ND

	0 RESISTOR 12.1K 1/16W 1%	R25	CRCW060312K1FKEA
	RESISTOR 2.21K 1/16W 1%	R22	CRCW06032211FT
	RESISTOR 2.21K 1/16W 1%	R21	CRCW06032211FT
399-1091-1-ND	CAP .01UF 50WVDC 10%	C16	C0603C103K5RAC
399-1091-1-ND	CAP .01UF 50WVDC 10%	C78	C0603C103K5RAC
399-1091-1-ND	CAP .01UF 50WVDC 10%	C40	C0603C103K5RAC
399-1091-1-ND	CAP .01UF 50WVDC 10%	C84	C0603C103K5RAC
399-1091-1-ND	CAP .01UF 50WVDC 10%	C71	C0603C103K5RAC
	CAP 470PF 50WVDC 10%	C45	C0603C471K5RAC
	CAP 470PF 50WVDC 10%	C44	C0603C471K5RAC
	CAP 470PF 50WVDC 10%	C43	C0603C471K5RAC
	CAP 2200PF 50WVDC 10%	C47	C0603C222K5RAC
	CAP 2200PF 50WVDC 10%	C46	C0603C222K5RAC
	CAP 2200PF 50WVDC 10%	C23	C0603C222K5RAC
	CAP 2200PF 50WVDC 10%	C42	C0603C222K5RAC
	CAP 2200PF 50WVDC 10%	C36	C0603C222K5RAC
	CAP 2200PF 50WVDC 10%	C37	C0603C222K5RAC
	CAP 2200PF 50WVDC 10%	C63	C0603C222K5RAC
PCC2396CT-ND	CERCAP 4.7UF 6.3WVDC 10%	C48	ECJ-1VBJ475K
PCC1851TR-ND	CAP 2.2UF 16WVDC 20% Y5V	C28	ECJ-2YF1C225Z
PCC1851TR-ND	CAP 2.2UF 16WVDC 20% Y5V	C83	ECJ-2YF1C225Z
PCC1851TR-ND	CAP 2.2UF 16WVDC 20% Y5V	C33	ECJ-2YF1C225Z
PCC2422CT-ND	CAP 1UF 25V 10%	C26	ECJ-1VB1E105K
PCC2422CT-ND	CAP 1UF 25V 10%	C79	ECJ-1VB1E105K
PCC2422CT-ND	CAP 1UF 25V 10%	C4	ECJ-1VB1E105K
	CAP 0.47UF 16WVDC 20%	C5	ECJ-1VF1C474Z
WM17116CT-ND	MOLEX SMT USB MINI-B ROHS	J4	54819-0572
	RESISTOR 100K 1/16W 1%	R10	CRCW06031003FT
RHM40.2KFCT-ND	RESISTOR 39.2K 1/10W 1%	R17	CRCW06033922FT
	0 RESISTOR 200K 1/16W 1%	R54	CRCW06032003FT
MMBD914LT1INCT-ND	DIODE SWITCHING	CR1	MMBD914LT1
541-0.0GCT-ND	RESISTOR 0	R48	CRCW06030000Z0EA
541-0.0GCT-ND	RESISTOR 0	R33	CRCW06030000Z0EA
541-0.0GCT-ND	RESISTOR 0	R45	CRCW06030000Z0EA
541-0.0GCT-ND	RESISTOR 0	R47	CRCW06030000Z0EA
541-0.0GCT-ND	RESISTOR 0	R5	CRCW06030000Z0EA
541-0.0GCT-ND	RESISTOR 0	R50	CRCW06030000Z0EA
541-10.0KHCT-ND	RESISTOR 10K 1/16W 1%	R9	CRCW060310K0FKEA
541-10.0KHCT-ND	RESISTOR 10K 1/16W 1%	R11	CRCW060310K0FKEA
541-10.0KHCT-ND	RESISTOR 10K 1/16W 1%	R4	CRCW060310K0FKEA
541-10.0KHCT-ND	RESISTOR 10K 1/16W 1%	R1	CRCW060310K0FKEA
541-10.0KHCT-ND	RESISTOR 10K 1/16W 1%	R2	CRCW060310K0FKEA
541-10.0KHCT-ND	RESISTOR 10K 1/16W 1%	R55	CRCW060310K0FKEA
541-10.0KHCT-ND	RESISTOR 10K 1/16W 1%	R44	CRCW060310K0FKEA
541-10.0KHCT-ND	RESISTOR 10K 1/16W 1%	R8	CRCW060310K0FKEA
541-10.0KHCT-ND	RESISTOR 10K 1/16W 1%	R20	CRCW060310K0FKEA
541-10.0KHCT-ND	RESISTOR 10K 1/16W 1%	R49	CRCW060310K0FKEA
399-4697-1-ND	CAP Ceramic 100UF 6.3WVDC 20%	C7	C1210C107M9PACTU
399-4697-1-ND	CAP Ceramic 100UF 6.3WVDC 20%	C8	C1210C107M9PACTU
399-4697-1-ND	CAP Ceramic 100UF 6.3WVDC 20%	C2	C1210C107M9PACTU
399-4697-1-ND	CAP Ceramic 100UF 6.3WVDC 20%	C3	C1210C107M9PACTU
399-4697-1-ND	CAP Ceramic 100UF 6.3WVDC 20%	C82	C1210C107M9PACTU
399-4697-1-ND	CAP Ceramic 100UF 6.3WVDC 20%	C81	C1210C107M9PACTU
399-4697-1-ND	CAP Ceramic 100UF 6.3WVDC 20%	C11	C1210C107M9PACTU
399-4697-1-ND	CAP Ceramic 100UF 6.3WVDC 20%	C70	C1210C107M9PACTU
399-4697-1-ND	CAP Ceramic 100UF 6.3WVDC 20%	C10	C1210C107M9PACTU
399-4697-1-ND	CAP Ceramic 100UF 6.3WVDC 20%	C69	C1210C107M9PACTU
	0 RESISTOR 324K 1/16W 1%	R18	CRCW0603324KFKEA
541-220GCT-ND	RESISTOR 220 1/16W 5%	R51	CRCW0603220RJNEA
541-220GCT-ND	RESISTOR 220 1/16W 5%	R52	CRCW0603220RJNEA
478-1187-1-ND	CAP 1000PF 50VDC 10%	C17	0603C102JAT2A
478-1187-1-ND	CAP 1000PF 50VDC 10%	C18	0603C102JAT2A
541-162KHCT-ND	RESISTOR 162K 1/16W 1%	R7	CRCW0603162KFKEA
CP-002APJCT-ND	JACK POWER 2.1mm	J6	PJ-002A
	CAP 10PF 50WVDC 10%	C54	C0603C100D5GAC
	CAP 10PF 50WVDC 10%	C31	C0603C100D5GAC
P49.9LCT-ND	RESISTOR 51.1 1/16W 1%	R27	CRCW060351R1FT
P49.9LCT-ND	RESISTOR 51.1 1/16W 1%	R26	CRCW060351R1FT
587-1469-1-ND	CAP 10UF 10WVDC 20%	C6	LMK325BJ106MN
541-178KHCT-ND	RESISTOR 174K 1/16W 1%	R53	CRCW0603178KFKEA
	CAP 4700PF 50VDC 10%	C57	06035C472KAT2A
	CAP 4700PF 50VDC 10%	C34	06035C472KAT2A
	CAP 4700PF 50VDC 10%	C56	06035C472KAT2A
	CAP 220UF 10 WVDC 10%	C13	TPSE227K010R0100
	CAP 220UF 10 WVDC 10%	C74	TPSE227K010R0100
**LT1965EMS8E#PBF-ND	REGULATOR LOW DROPOUT NEG	U13	LT1965EMS8E#PBF
296-13261-1-ND	Dual TINY INVERTER	U12	SN74LVC2G04DBVR
587-2405-1-ND	INDUCTOR 2.2uH 2.9A	L1	NRS5020T2R2NMGJ
587-2403-1-ND	INDUCTOR 1uH 4A	L2	NRS5020T1R0NMGJ
541-383KHCT-ND	RESISTOR 24.3K 1/16W 1%	R24	CRCW06032432FT
	0 RESISTOR do not populate ohm 1/16W 5%	R34	ERJ-3GEY0R00V
	0 RESISTOR do not populate ohm 1/16W 5%	R32	ERJ-3GEY0R00V
	0 RESISTOR do not populate ohm 1/16W 5%	R35	ERJ-3GEY0R00V
	0 RESISTOR do not populate ohm 1/16W 5%	R46	ERJ-3GEY0R00V
	NO LOAD RESISTOR	R58	NO LOAD RESISTOR

