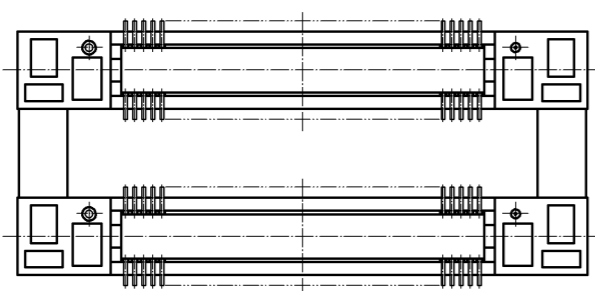
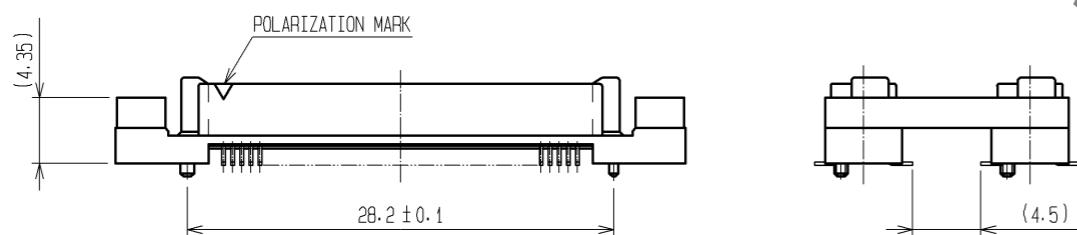
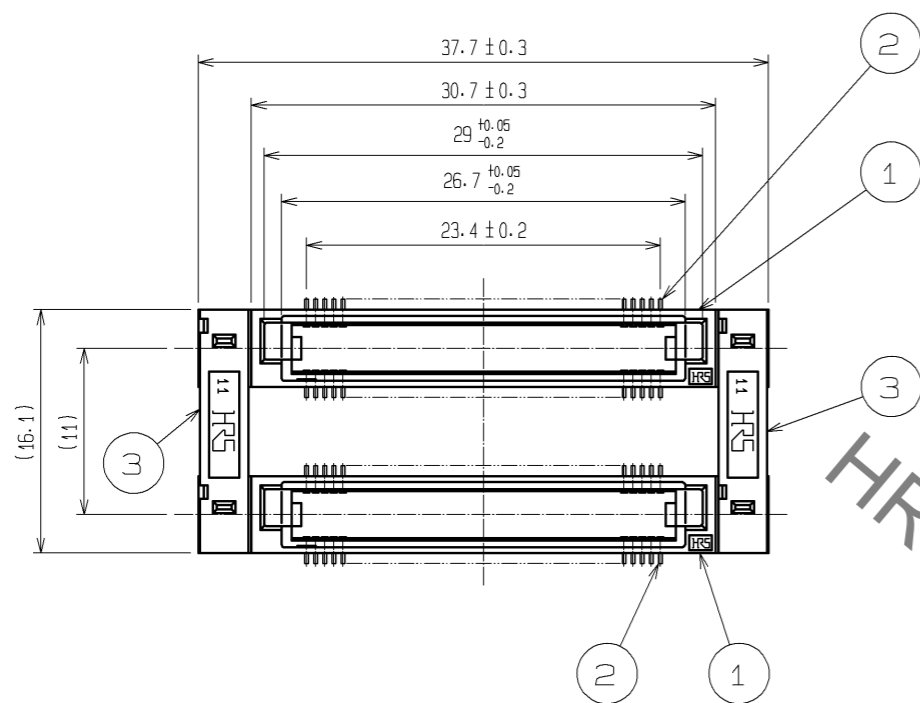
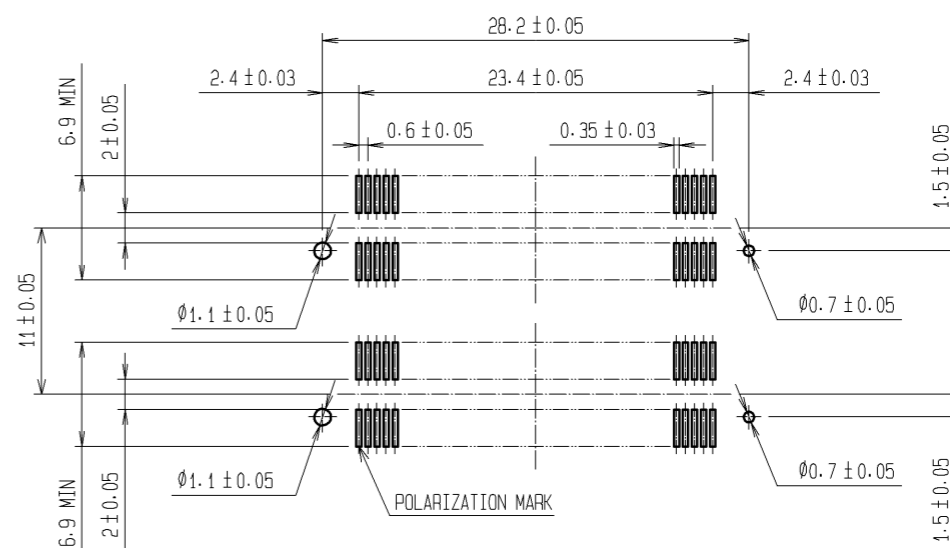


Aug.1.2019 Copyright 2019 HIROSE ELECTRIC CO., LTD. All Rights Reserved.
In case of consideration for using Automotive equipment / device which demand high reliability, kindly contact our sales window correspondents.



RECOMMENDED LAND PATTERN DIMENSION
OF PCB(MOUNTING SIDE)
(RECOMMENDED METAL MASK THICKNESS:0.15mm)



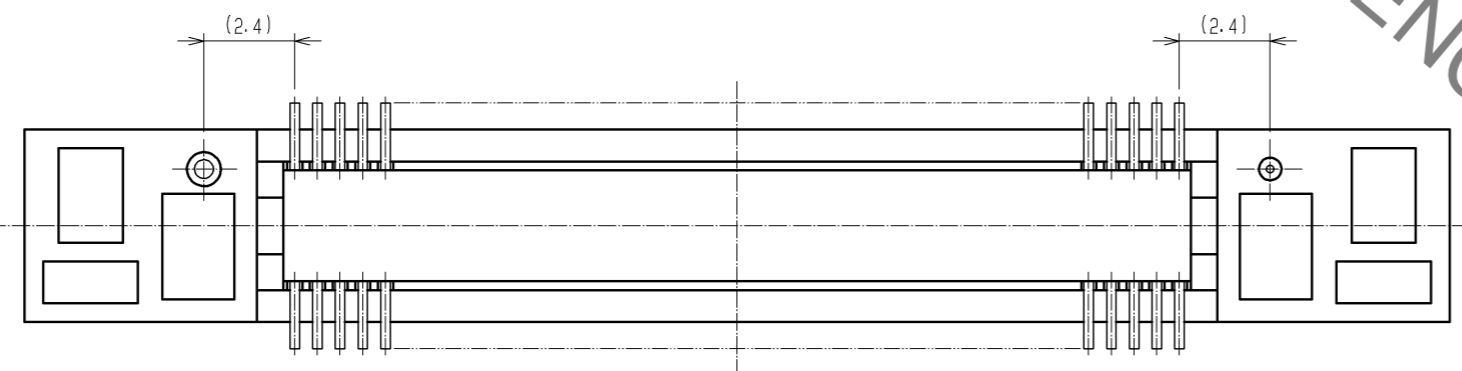
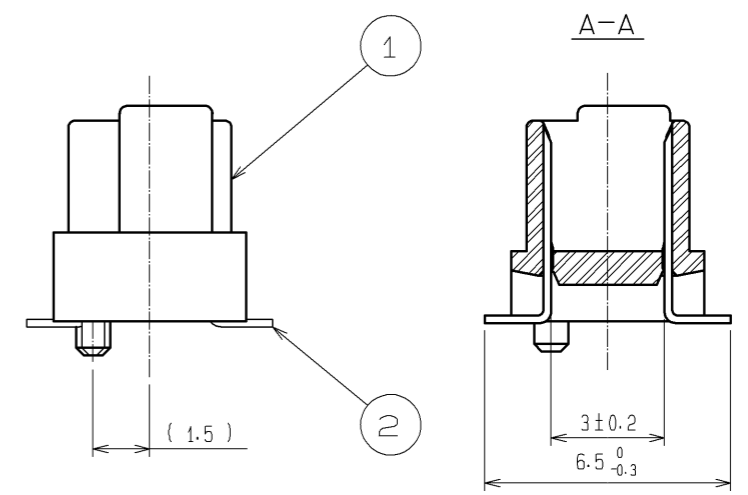
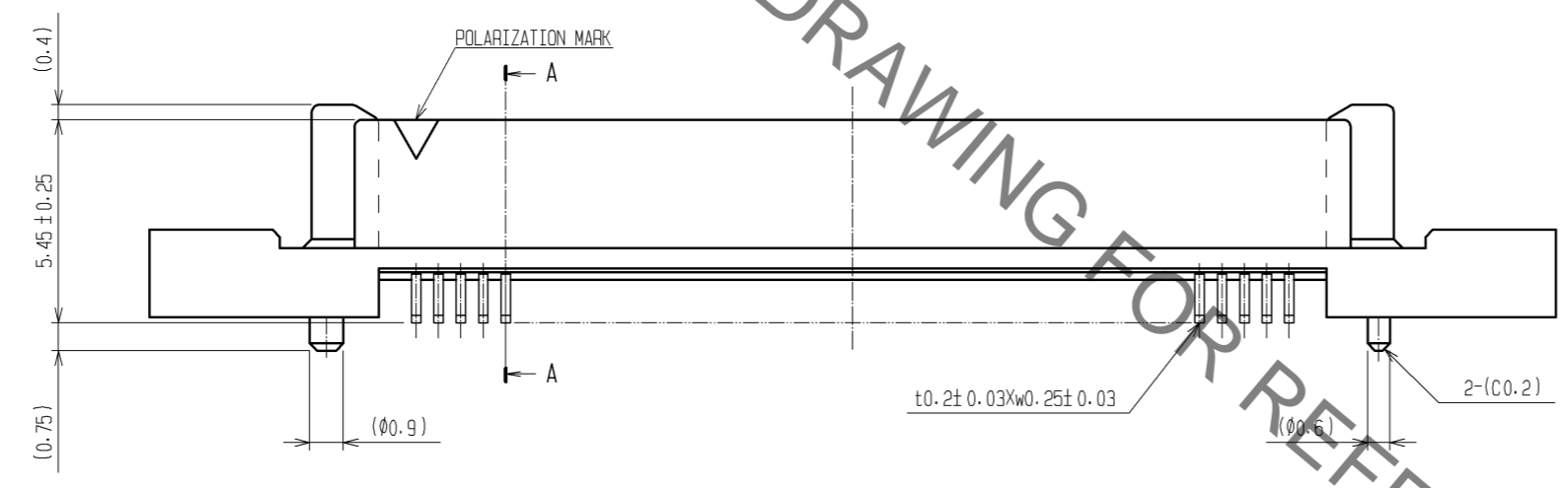
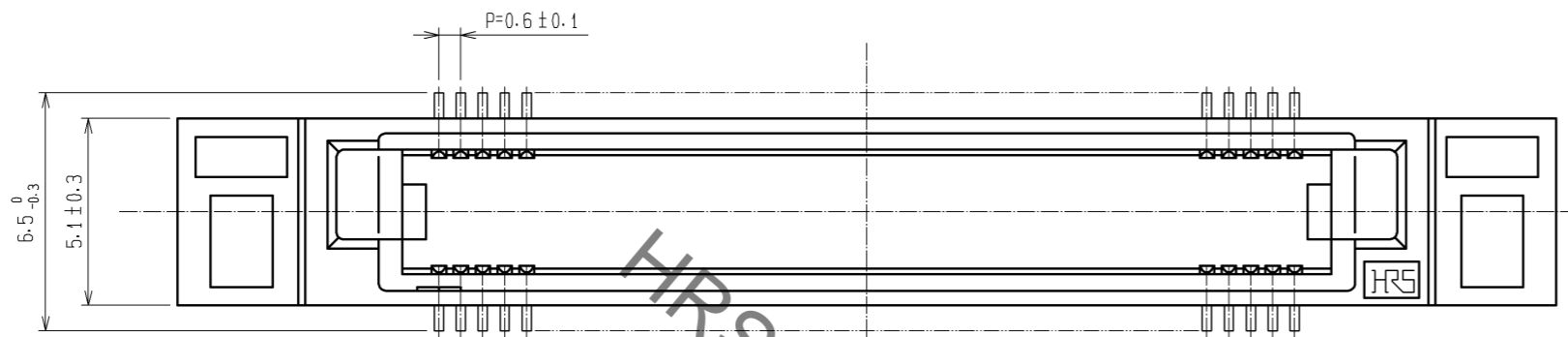
HRS DRAWING FOR REFERENCE

- NOTES
- 1 LEAD CO-PLANARITY SHALL BE 0.1mm MAX.
 - 2 AFTER MOUNTING BOARD, REF. NO.3 SHALL BE REMOVED.
 - 3 FOR MODIFICATION, ETC., PREVENTIVE HOLE FOR SINK MARK MAY BE ADDED DEPENDS ON CIRCUMSTANCES.
 - 4 THE DIMENSIONS IN PARENTHESSES ARE FOR REFERENCE.

1. 3	PPS	LIGHT BROWN (UL94V-0)	2	PHOSPHOR BRONZE	CONTACT AREA : GOLD 0.1µm min. LEAD AREA:TIN-PLATING 1µm min. UNDER PLATING:NICKEL 1µm min.		
NO.	MATERIAL	FINISH . REMARKS	NO.	MATERIAL	FINISH . REMARKS		
UNITS mm		SCALE 2 : 1	COUNT 	DESCRIPTION OF REVISIONS	DESIGNED	CHECKED	DATE
				APPROVED : HS. OKAWA	11. 03. 10	DRAWING NO. EDC3-150912-25	
HIROSE ELECTRIC CO., LTD.				CHECKED : HT. YAMAGUCHI	11. 03. 10	PART NO. FX8C-80/80P11-SV1J(71)	
				DESIGNED : AH. EDASHIGE	11. 03. 04	CODE NO. CL578-0673-4-71	
				DRAWN : AH. EDASHIGE	11. 03. 04		

Aug.1.2019 Copyright 2019 HIROSE ELECTRIC CO., LTD. All Rights Reserved.
 In case of consideration for using Automotive equipment / device which demand high reliability, kindly contact our sales window correspondents.

DETAIL AFTER REMOVING JOINT



NOTES THE DIMENSIONS IN PARENTHESES ARE FOR REFERENCE.

HRS	DRAWING NO.	EDC3-150912-25	
	PART NO.	FX8C-80/80P11-SV1J(71)	
	CODE NO.	CL578-0673-4-71	△ 2/2