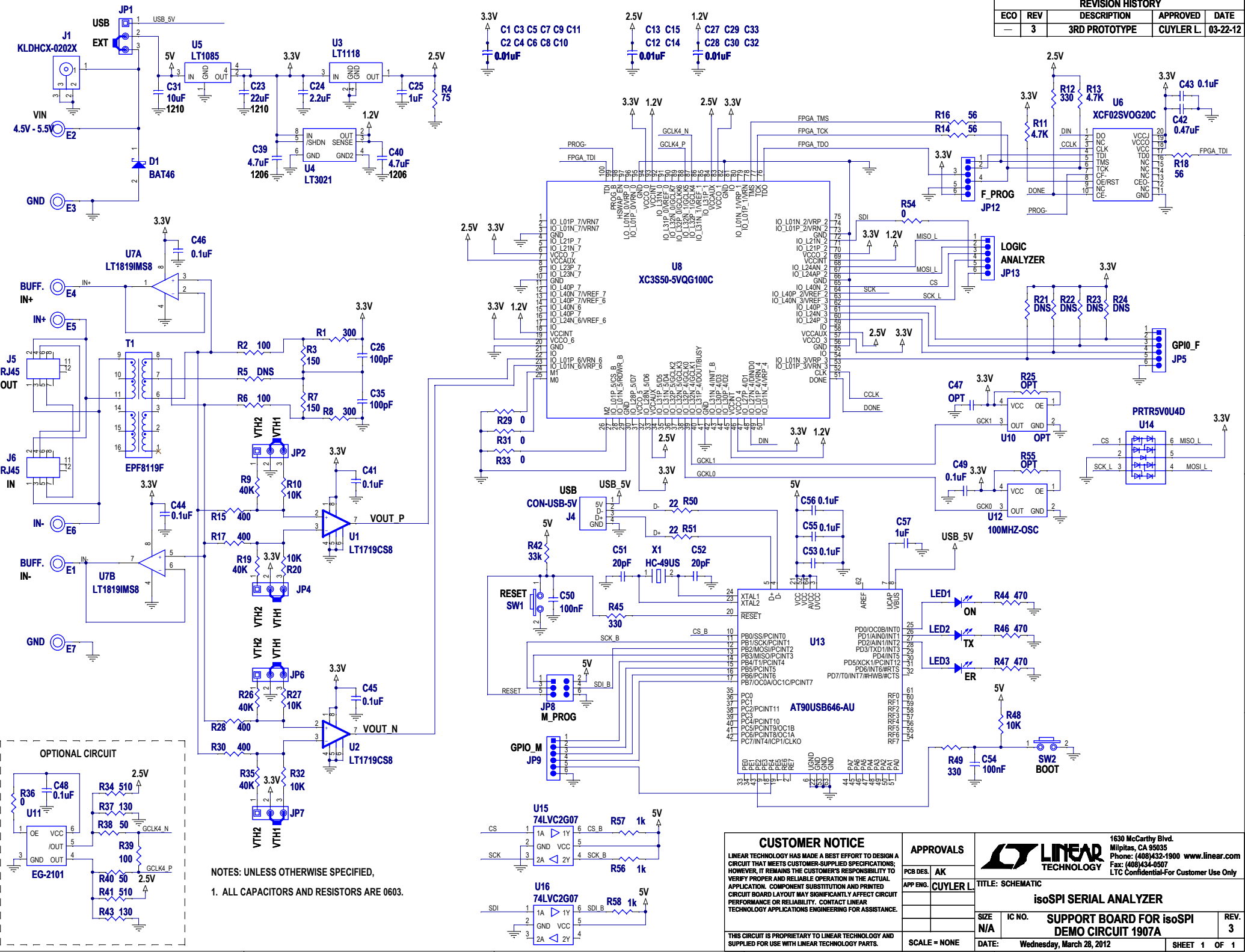
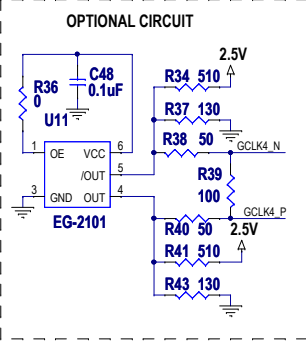


REVISION HISTORY				
ECO	REV	DESCRIPTION	APPROVED	DATE
—	3	3RD PROTOTYPE	CUYLER L.	03-22-12



NOTES: UNLESS OTHERWISE SPECIFIED,
 1. ALL CAPACITORS AND RESISTORS ARE 0603.



CUSTOMER NOTICE
 LINEAR TECHNOLOGY HAS MADE A BEST EFFORT TO DESIGN A CIRCUIT THAT MEETS CUSTOMER-SUPPLIED SPECIFICATIONS; HOWEVER, IT REMAINS THE CUSTOMER'S RESPONSIBILITY TO VERIFY PROPER AND RELIABLE OPERATION IN THE ACTUAL APPLICATION. COMPONENT SUBSTITUTION AND PRINTED CIRCUIT BOARD LAYOUT MAY SIGNIFICANTLY AFFECT CIRCUIT PERFORMANCE OR RELIABILITY. CONTACT LINEAR TECHNOLOGY APPLICATIONS ENGINEERING FOR ASSISTANCE.

APPROVALS		TITLE: SCHEMATIC	
PCB DES. AK	APP ENG. CUYLER L.	1630 McCarthy Blvd. Milpitas, CA 95035 Phones: (408)432-1900 www.linear.com Fax: (408)434-0507 LTC Confidential-For Customer Use Only	
SCALE = NONE		DATE: Wednesday, March 28, 2012	
SIZE N/A		IC NO. SUPPORT BOARD FOR isoSPI DEMO CIRCUIT 1907A	
DATE: Wednesday, March 28, 2012		REV. 3	
SHEET 1		OF 1	