

DRAWING MADE IN AMERICAN PROJECTION

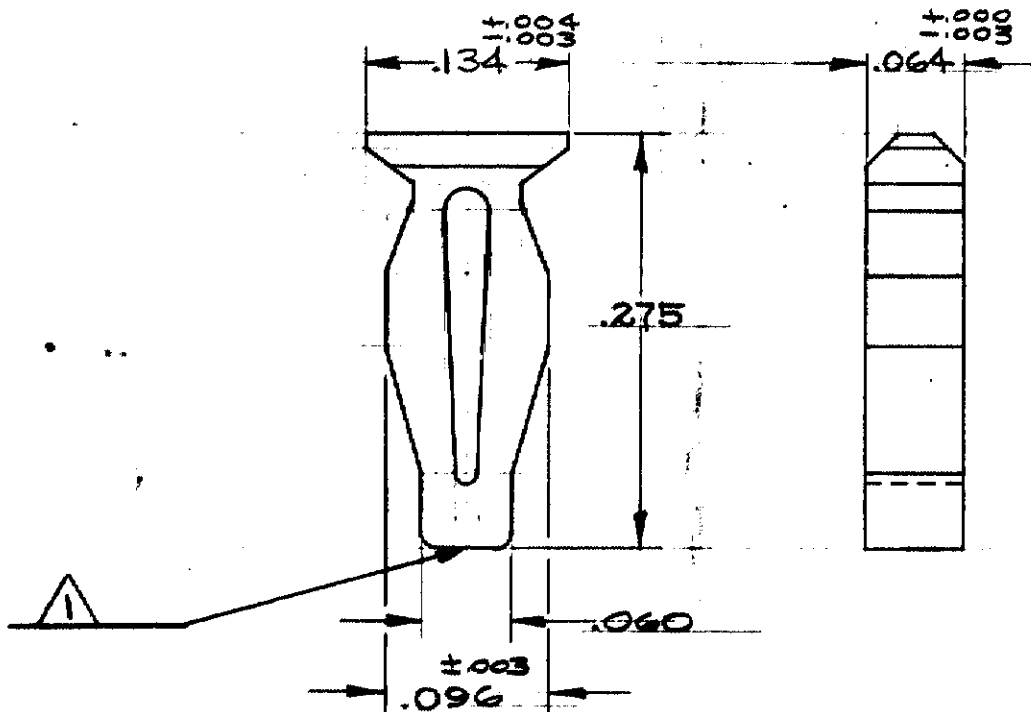
LOC AD 25 PRINT

© 1969 BY AMP INCORPORATED. ALL RIGHTS RESERVED. AMP PRODUCTS COVERED BY PATENTS AND/OR PATENTS PENDING.

REVISIONS

LTR	DESCRIPTION	DATE	APPROVED
A	REVISED 2412 m.s.	2-17-88	DH
B	REVISED PER AD0324	7/23/84	NOK
C	REV PER AD4304	3/90	CP/DW
D	REV PER AD4542	7/90	CP/DW

⚠ .010 MAX FLASH DUE CUT OFF PERMISSIBLE



UNLESS OTHERWISE SPECIFIED DIMENSIONS ARE IN INCHES
TOLERANCES ON:
DECIMALS ±.005
ANGLES ±

MATERIAL
NYLON
COLOR: NATURAL

CONTRACT NO.	
DR.	<i>Eth. Lantry 8/8/69</i>
CHK	<i>J.S. Heide 8/8/69</i>
APPD	<i>D.N. Bushney 8/8/69</i>
REF	<i>R. Swannan 8/11/69</i>
DSGN APPD	
OTHER APPD	

AS SHOWN	583487-1
DESCRIPTION	PART NO.



AMP INCORPORATED
HARRISBURG, PENNSYLVANIA

NAME
KEYING PLUG - AMP TAB
CONNECTOR

SIZE	CODE IDENT NO.	NUMBER
A	00779	583487

SCALE: 1:1 SHEET