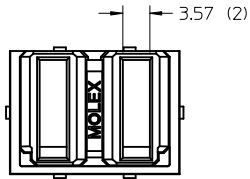
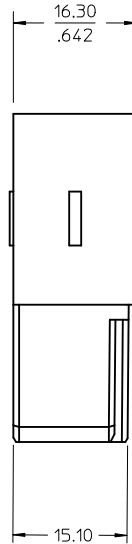
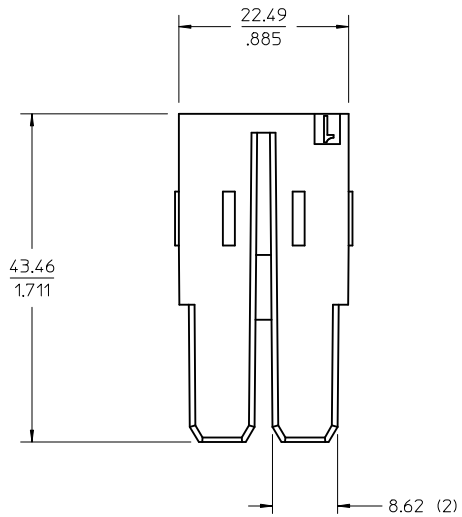


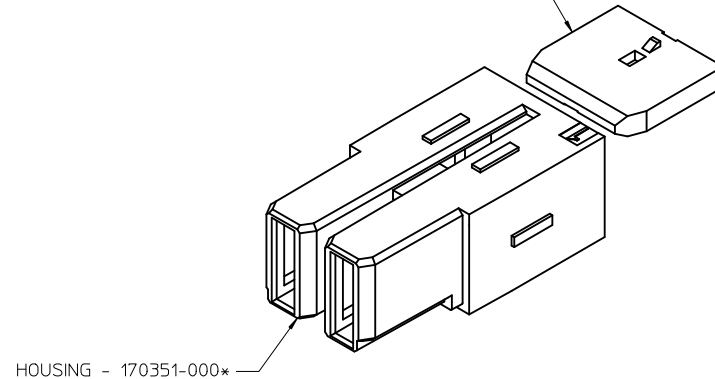
ITEM NO	PART NUMBER	DESCRIPTION
1	170351-0002	FOR 8-10 AWG WIRE
2	170351-0003	FOR 6 AWG WIRE



NOTES:

1. MATERIAL: PBT UNFILLED 89992-0074
COLOR: BLACK
2. HOUSING FOR USE WITH TERMINAL SERIES 46819
AND CABLE ASSEMBLY SERIES 68790.
3. REQUIRES TPA SD-170352-0002 TO SECURE TERMINALS
4. HOUSING IS ROHS COMPLIANT
5. TPA MUST BE USED WITH HOUSING
6. TPA IS TO BE ORDERED SEPARATELY
7. DO NOT INSERT THE TPA INTO CRIMP HOUSING UNTIL THE
CRIMP TERMINAL WITH WIRES HAS BEEN INSERTED

TPA - 170352-0002
(REF)



HOUSING - 170351-000*

ADD NOTES/REV VIEW EC NO: UCP2012-3786 DRAWN: JUILLES 2012/05/22 CHKD: MKARADIMAS 2012/05/22 APPR: APATEL 2012/06/01	DESCRIPTION REV	QUALITY SYMBOLS	GENERAL TOLERANCES (UNLESS SPECIFIED)	DIMENSION STYLE MM ONLY	SCALE 2:1	DESIGN UNITS METRIC	THIRD ANGLE PROJECTION
		▽=0	4 PLACES ± .25	mm INCH	DRAWN BY DATE MKARADIMAS 2011/08/10	GUARDIAN CRIMP RECEPTACLE HOUSING 2 CKT MOLEX INCORPORATED	SHEET NO. 1 OF 1
		▽=0	3 PLACES ± .25	APPROVED BY DATE APATEL 2012/01/09			
		▽=0	2 PLACES ± 0.25	MATERIAL NO. SEE CHART			
▽=0	1 PLACE ± .25	DOCUMENT NO. SD-170351-0002					
DRAFT WHERE APPLICABLE MUST REMAIN WITHIN DIMENSIONS			SIZE C		THIS DRAWING CONTAINS INFORMATION THAT IS PROPRIETARY TO MOLEX INCORPORATED AND SHOULD NOT BE USED WITHOUT WRITTEN PERMISSION		