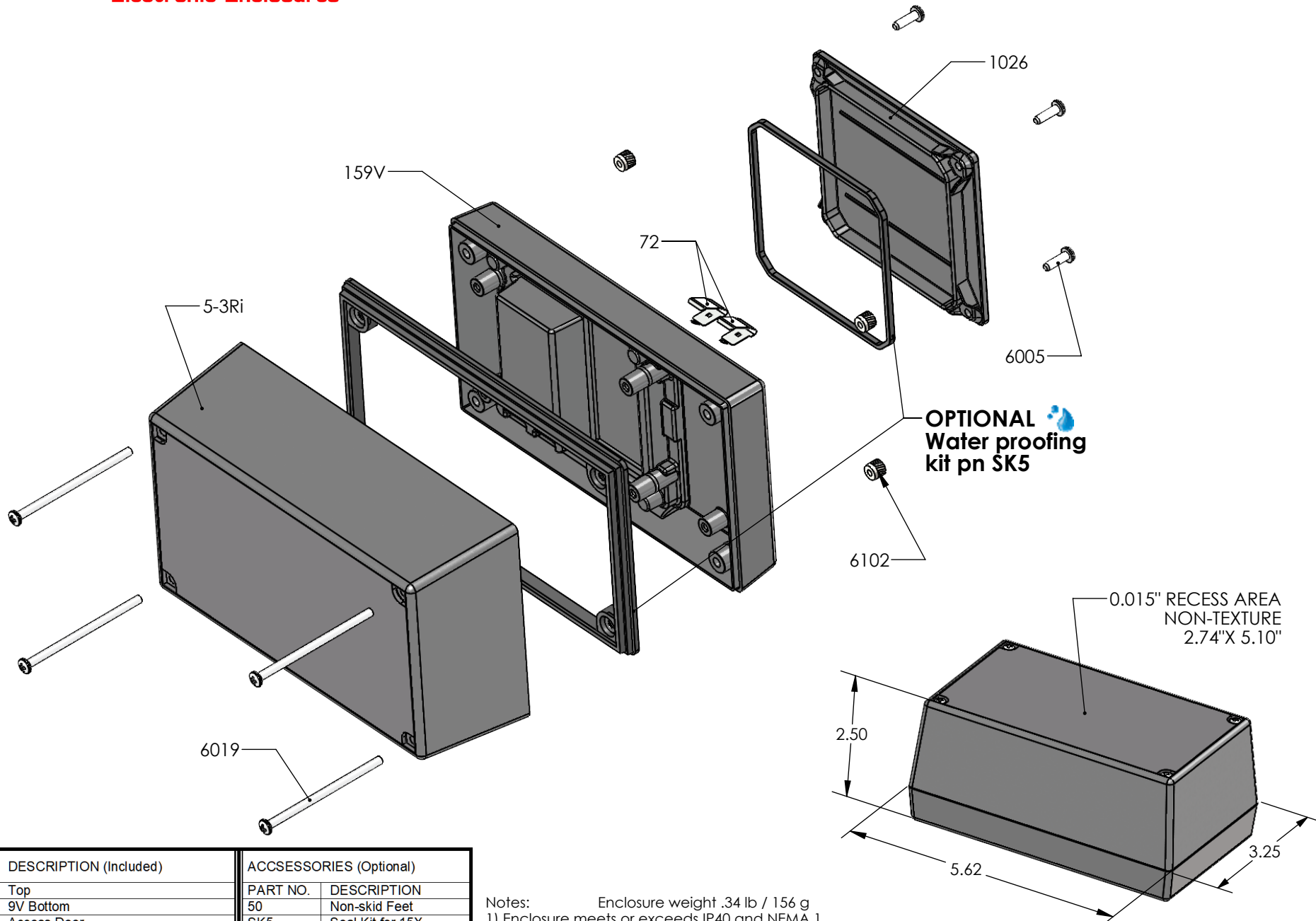


# SERPAC 153Ri9V (exploded isometric)

Electronic Enclosures



**OPTIONAL**  
Water proofing  
kit pn SK5

0.015" RECESS AREA  
NON-TEXTURE  
2.74"X 5.10"

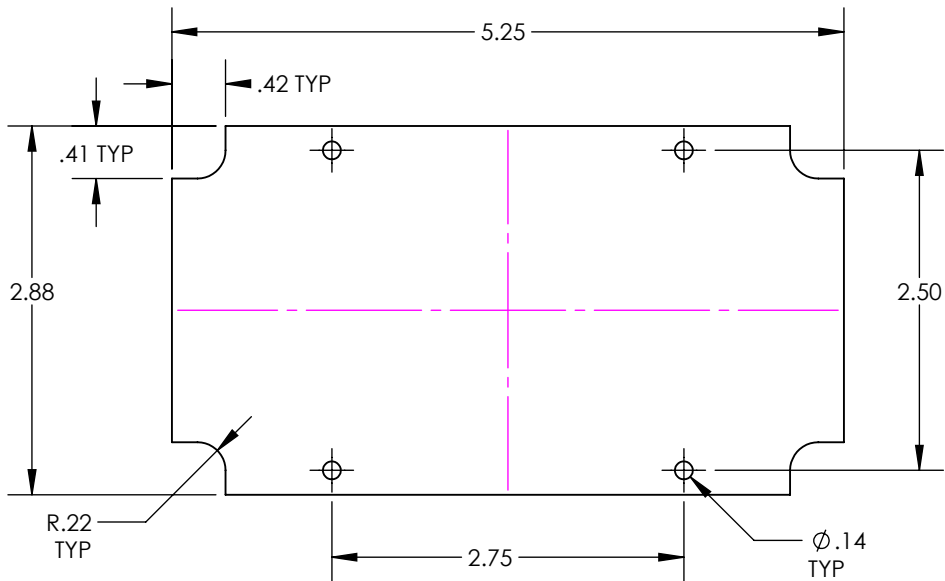
PART NO.	DESCRIPTION (Included)	ACCESSORIES (Optional)	
5-3Ri	Top	PART NO.	DESCRIPTION
159V	9V Bottom	50	Non-skid Feet
1026	Access Door	SK5	Seal Kit for 15X
6005	#4X3/8" Self-Tapping Screw (4)		
6019	4-40 Screw (4)		
6102	4-40 Threaded Insert (4)		
73	Double Battery Contact (3)		
72	Single Battery Contact (2)		

- Notes:
- 1) Enclosure weight .34 lb / 156 g
  - 2) Enclosure meets or exceeds IP40 and NEMA 1
  - 3) When used with SK5 the enclosure meets or exceeds IP 67 and NEMA 4X, 12 and 13 MIL-STD-810G 506.5 (.02 lb / 11g)
  - 4) Circuit Board drawings see sheet 3.
  - 5) All components are RoHS Compliant.

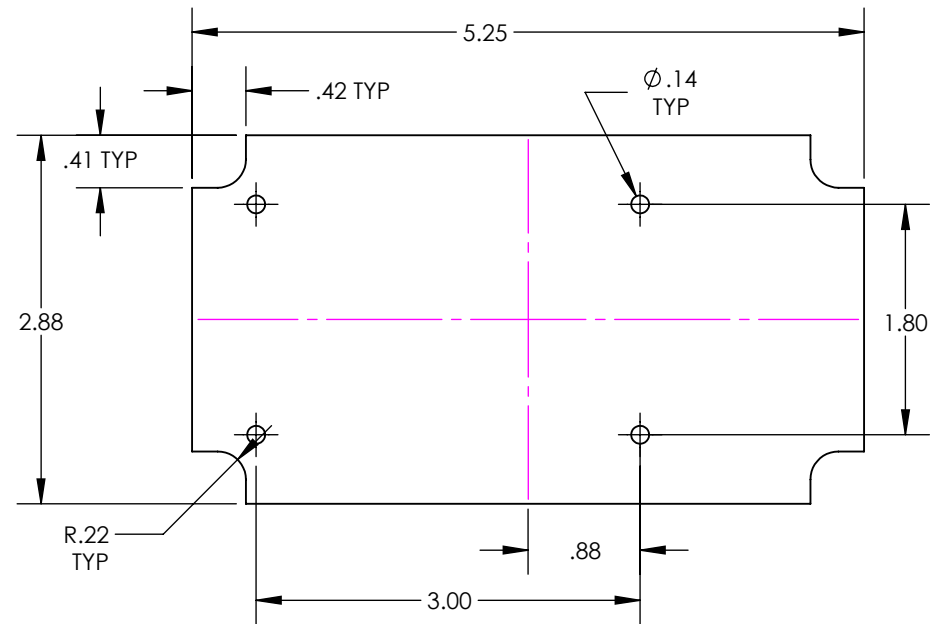


# PCB for 15X compartment enclosures

CIRCUIT BOARD FOR TOP



CIRCUIT BOARD FOR BOTTOM



SMALL CIRCUIT BOARD FOR BOTTOM

