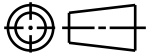
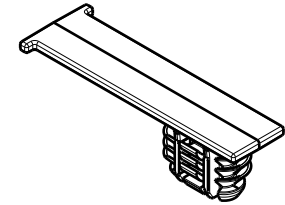
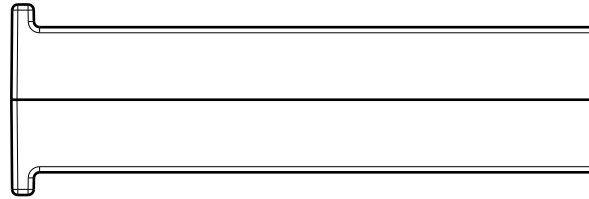


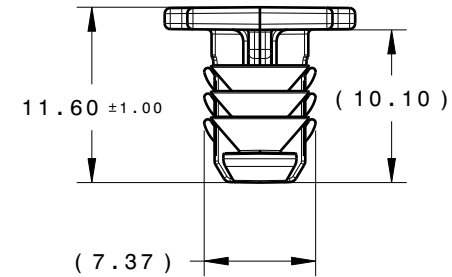
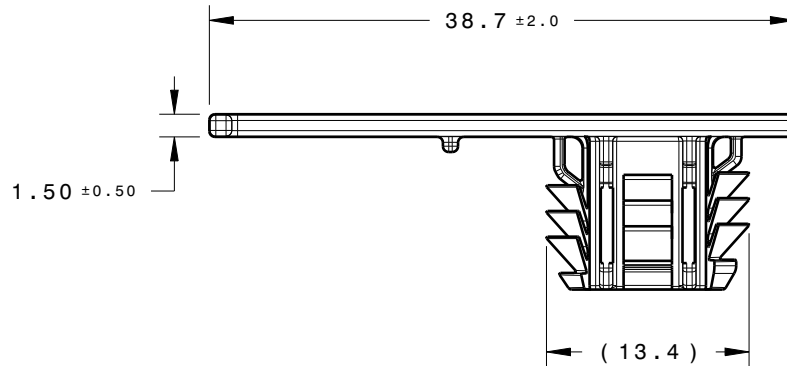
CATIA V5



Revision Level			Revision Record	Changed	Date	Approved	Date
Drawing	State	Part					
01.2	Design Release	C	SEE ECN# 013690	CJR	1/25/17	EJH	1/25/17



ISOMETRIC VIEW  
(SCALE 1:1)



REFERENCE:

PERFORMANCE REQUIREMENTS AT DRY AS MOLDED:

1. FIR TREE PUSH IN FORCE: REF. 10 LBS MAX IN EACH APPLICABLE OVAL HOLE SIZE AND A PLATE THICKNESS OF 1.8mm
2. FIR TREE PULL OUT FORCE: REF. 25 LBS MIN IN EACH APPLICABLE OVAL HOLE SIZE AND A PLATE THICKNESS OF 1.8mm
3. SHEET METAL THICKNESS RANGE: 0.60mm - 2.5mm
4. APPLICABLE OVAL HOLE SIZES:
  - A. 6.2 X 12.2mm
  - B. 6.5 x 12.5mm
  - C. 6.5 x 13.0mm
  - D. 7.0 x 12.0mm



Material PA66HIRHS COLOR: NATURAL	Units millimeters  Tolerance defined on each dimension	The copyright of this drawing is reserved by HellermannTyton. It is issued on condition that it is not reproduced, copied or disclosed to a third party, either wholly or in part, without the consent of HellermannTyton.	Drawn	CJR	6/14/16	Article/Type-No	BCSFTOVAL2/ 151-01884	Scale	2:1
			Approved	SJA	6/14/16	Title	TAPE CLIP WITH SHORT OVAL FIR TREE	Project Number	16-0407
<p>North America Email: corp@htamericas.com Web: www.hellermann.tyton.com</p>			Drawing-No		PRODUCTION : Phase		Format	AH	
			16-0407-011-CSU					Sheet	1/1