

PART NO.	ENG. NO.	LENGTH
1300062363	104001K12M020	6FT 7IN [2M]
1300062616	104001K12M030	9FT 10IN [3M]
1300069046	104001K12M050	16 FT 5IN [5M]
1300069047	104001K12M100	32FT 10IN [10M]
1300069048	104001K12M200	65 FT 7IN [20M]
1300069049	104001K12M300	98FT 5IN [30M]

104001K12M020

LENGTH
M001 = .1 METERS
M010 = 1.0 METERS
M100 = 10 METERS

PART NUMBER LEGEND

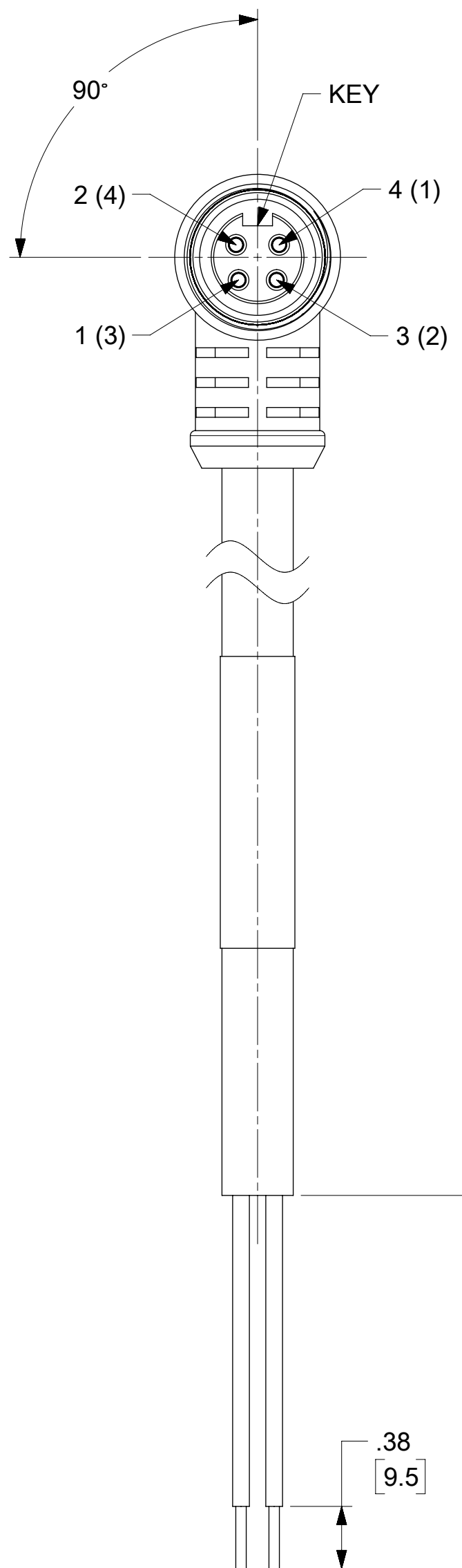
NOTES:

- MATERIAL: AS NOTED
- FINISH: AS NOTED
- ELECTRICAL:
VOLTAGE PER IEC60664: 483V
600V PER UL 2238
CURRENT: 10A
- TEMP RATING: -25° TO +90°C
- PROTECTION: IP67 (WHEN MATED)
- COUPLING THREAD: 7/8-16 UN
- UL LISTED FILE: E152210
- ALL DIMS ARE FOR REFERENCE UNLESS TOLERANCED OR NOTED OTHERWISE

CABLE FLEX CHARACTERISTICS

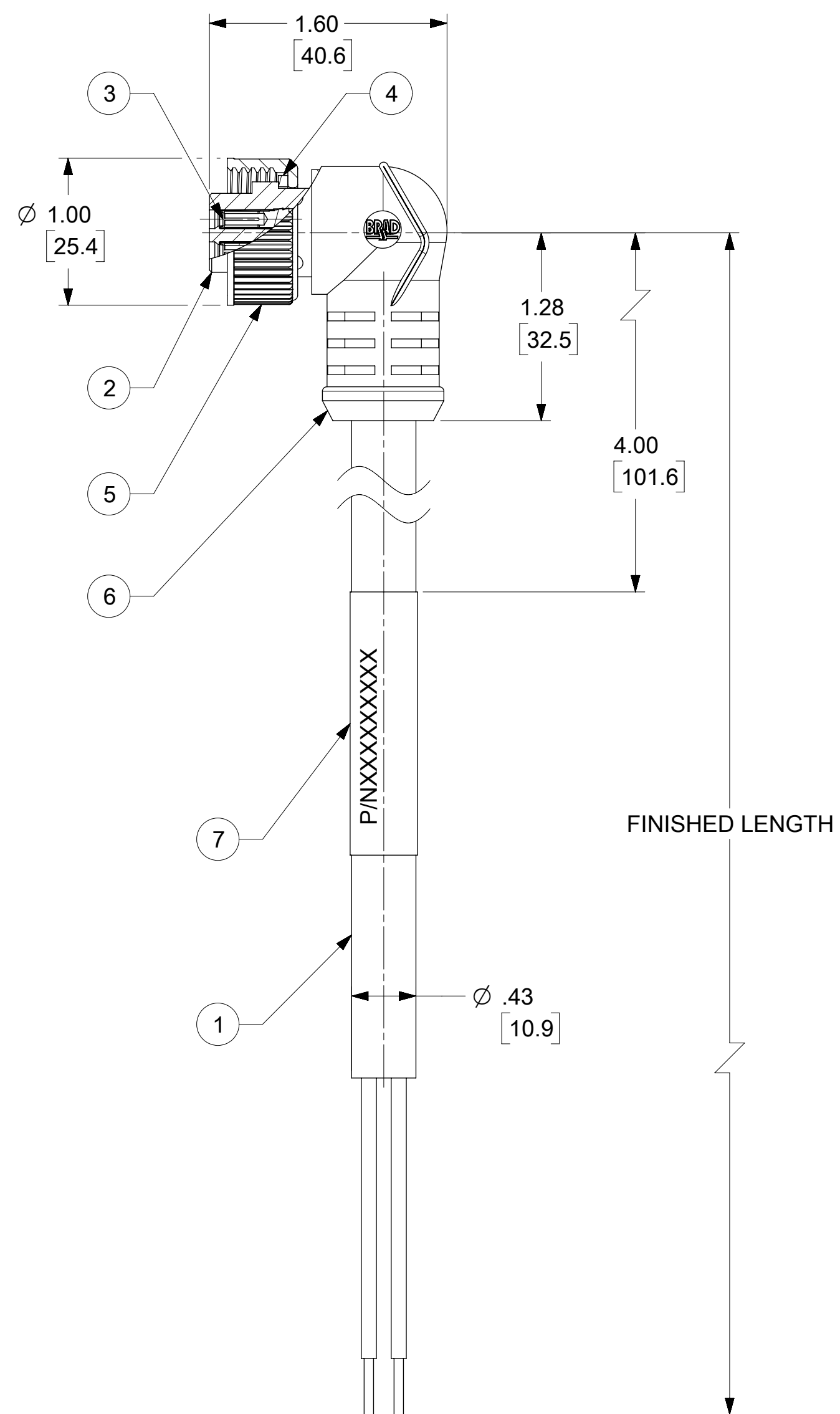
TORSIONAL FLEX TEST	20 MILLION CYCLES PER MIL-C-13777G
BEND FLEX TEST	20 MILLION CYCLES PER MIL-C-13777G
WELD SLAG RESISTANCE	WOODHEAD STANDARD S-300

ITEM	DESCRIPTION	MATERIAL	FINISH
7	WRAP LABEL	VINYL	BLACK/YELLOW
6	OVERMOLD (90 DEG)	TPE	TPE
5	COUPLING	ZINC DIE-CAST	BLACK E-COAT
4	FRICTION RING	NYLON	WHITE
3	CONTACT SOCKET	Cu ALLOY	GOLD PLATED
2	INSERT, 4P, FEMALE	TPE	YELLOW
1	CABLE, 16/4, FLEX	TPE JACKET	YELLOW



- (1) 4 - BLACK
- (2) 3 - BLUE
- (3) 1 - BROWN
- (4) 2 - WHITE

CENELEC 50 004
SAE-J-1738A SHOWN
IN (X) PARENTHESIS



CABLE LENGTH TOLERANCES

<.3M [1FT]: +19mm-0 [+1.75in-0]
.3 - .9M [1 - 3FT]: +44.5mm-0 [+1.75in-0]
.9 - 1.8M [3 - 6FT]: +55.6mm-0 [+2.19in-0]
1.8 - 3.7M [6 - 12FT]: +88.9mm-0 [+3.50in-0]
3.7 - 7.3M [12 - 24FT]: +165.1mm-0 [+6.50in-0]
7.3-14.6M [24 - 48FT]: +317.5mm-0 [+12.50in-0]
14.6 - 30.5M [48-100FT]: +622.3mm-0 [+24.50in-0]
OVER 30M [100FT] +2% OF FINISHED LENGTH

FUNCTIONAL SYMBOLS	THIS DRAWING CONTAINS INFORMATION THAT IS PROPRIETARY TO MOLEX ELECTRONIC TECHNOLOGIES, LLC AND SHOULD NOT BE USED WITHOUT WRITTEN PERMISSION		
$\nabla_A = 0$ $\nabla_E = 0$ $\nabla_P = 0$	DIMENSION UNITS	SCALE	CURRENT REV DESC: REDRAWN TO NX UPDATE NOTES, ADD BOM TABLE, CABLE LENGTH TOLS, P/N LEGEND VOLTAGE WAS 10A, TEMP WAS 105°, ADD FLEX RATING, NEW P/N 1300062616
	INCH/MM	1.25:1	
	GENERAL TOLERANCES (UNLESS SPECIFIED)		
	ANGULAR TOL	± °	
	4 PLACES	±	
DIVISIONAL SYMBOLS	3 PLACES	±	
	2 PLACES	±	
	1 PLACE	±	
	0 PLACES	±	
	DRAFT WHERE APPLICABLE MUST REMAIN WITHIN DIMENSIONS	THIRD ANGLE PROJECTION	DRAWING SERIES
		C-SIZE	130006
			2022/01/26
			2022/01/31
			2022/02/09
		INITIAL REVISION:	
		DRWN: GGUSTAFS	2013/10/04
		APPR: BWOODMAN	2013/11/12
		EC NO: 693841	
		DRWN: RSTONE	
		CHK'D: CCHRASKA	
		APPR: BWOODMAN	
		MINI CHANGE	
		4 POLE FEMALE 90 DEG, SINGLE KEY 16 AWG TPE FLEX	
		PRODUCT CUSTOMER DRAWING	
		DOCUMENT NUMBER	DOC TYPE DOC PART REVISION
		SD-130006-064	PSD 001 C
		MATERIAL NUMBER	CUSTOMER
		SEE P/N LEGEND	GENERAL MARKET
			SHEET NUMBER
			1 OF 1