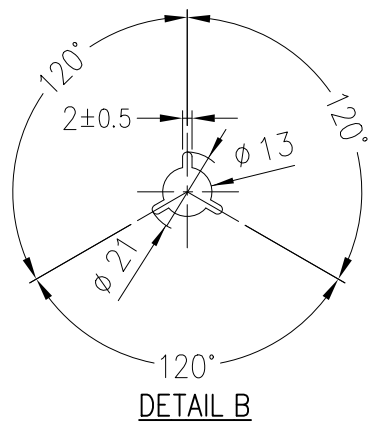
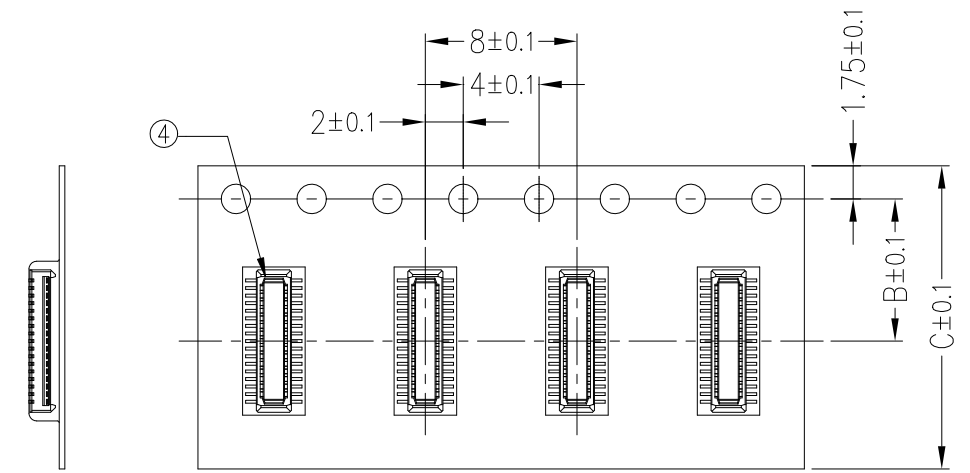
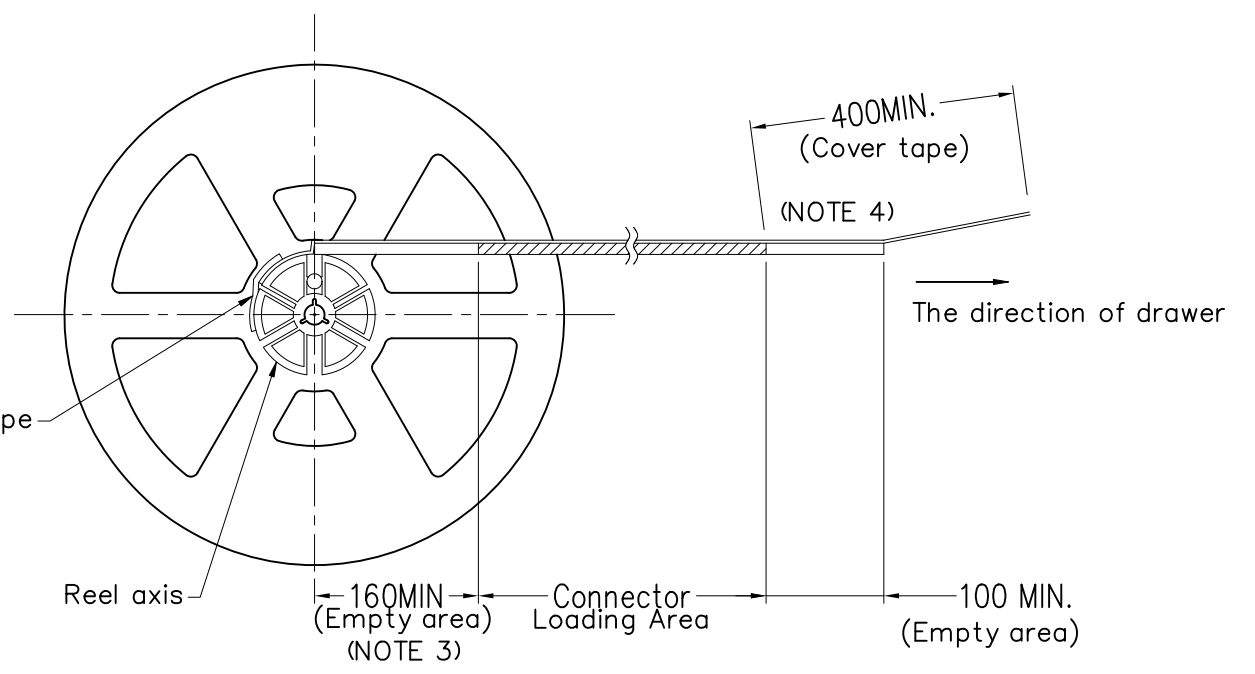
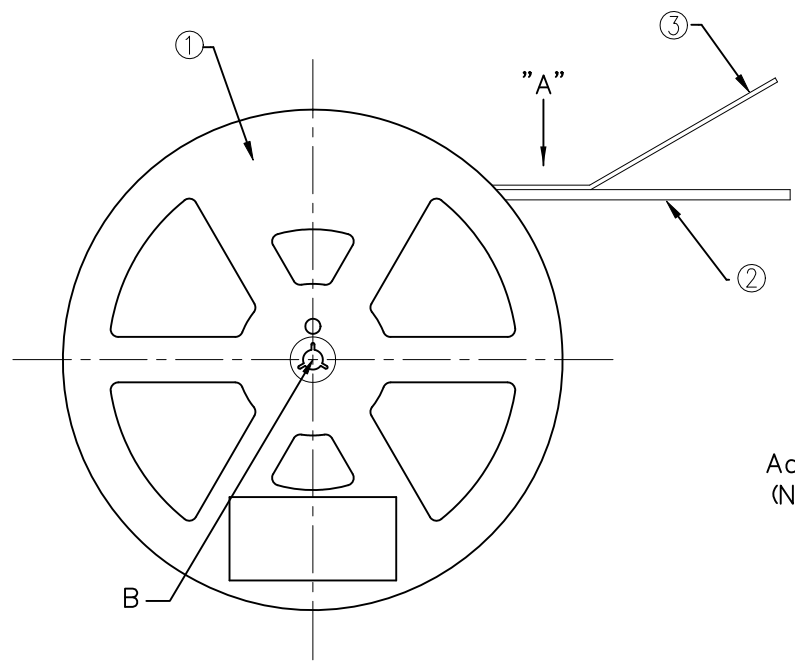
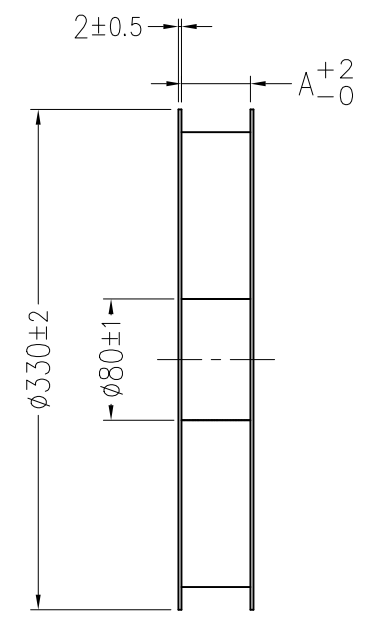


PRODUCT NO.
10142886-xxxA2EHLF



PRODUCT NUMBER LIST

PRODUCT NUMBER	CONNECTOR P/N	DIMENSIONS			
		A	B	C	D
10142886-030A2EHLF	10142886-030A2HLF	16	7.5	16	1.89

PARTS LIST

No.	PARTS NAME	MATERIAL	Q'TY	NOTE
1	REEL	POLYSTYRENE	1	ANTISTATIC
2	EMBOSS TAPE	A-PET	-	ANTISTATIC
3	COVER TAPE	POLYESTER	-	ANTISTATIC
4	CONNECTOR	Sheet 1	4500	SEE ABOVE TABLE

NOTE

- THIS ARTICLE CARRIES OUT THE EMBOSS TAPE PACKAGE OF THE P/N10142886 SERIES CONNECTOR.
- THE SHAPE AND DIMENSIONS OF THIS ARTICLE ARE BASED ON JIS C 0806.
(TAPING OF ELECTRONIC PARTS (SURFACE MOUNTED DEVICE))
- PRODUCT NUMBER STRUCTURE
10142886-AAA B C D HLF
 - HLF : HALOGEN AND LEAD FREE
 - PACKAGING OPTION
E : EMBOSS 8mm PITCH, REEL DIA. ø330, 4500pcs/Reel
 - CONTACT OPTION
2 : GENERAL TYPE
 - CONTACT PLATING OPTION
A : AU FLASH
 - NUMBER OF CONTACTS
030 : 30POS

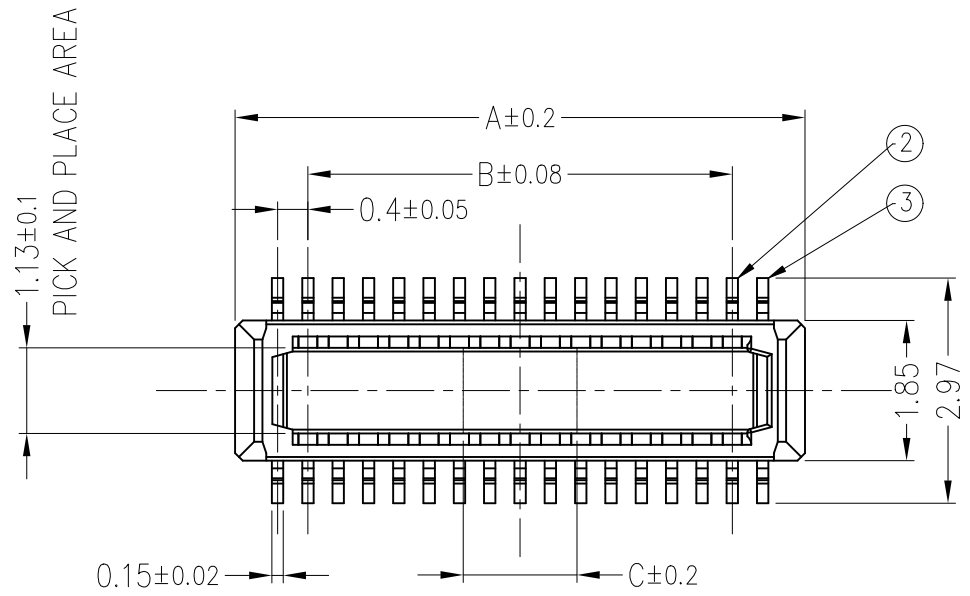
mat'l. code		surface ISO 1302 ✓		tolerance ISO 406 ISO 1101		projection 1101		product family BTB0.4MM Self-Alignment	
Itr		ecn no		dr		date		title	
A		/		Bob		2018-08-05		HEADER ASSY	
B		ELX-N-35266		Bob		2019-10-31		BTB0.4MM Self-Alignment	
C		ELX-N-36170		Bob		2020-03-03		dwg no 10142886	
sheet index		revision sheet		A 1~2		B 1~2		C 1~2	
sheet		revision		A 1~2		B 1~2		C 1~2	
index		sheet		1~2		1~2		1~2	
dr		S.WATANABE		2018-08-06		engr		Bob Gu	
chr		LQ Lei		2020-03-03		appd		Tim Yao	
appd		Tim Yao		2020-03-03		dwg no		sheet 1 of 2	
type		Product Customer Drawing		size		A3		Printed: Mar 04, 2020	

PRODUCT NO.
10142886-xxxA2HLF

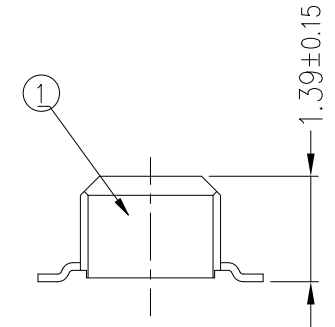
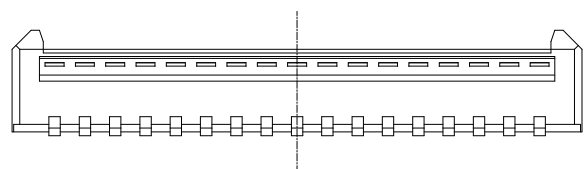
PT. NO.	PARTS NAME	MATERIAL	Q'TY	NOTE
1	HOUSING	LCP	1	COLOR BLACK / UL94V-0
2	CONTACT	PHOSPHOR BRONZE	N	PLATING CONTACT AREA Au 0.05um MIN. SOLDER AREA Au 0.05um MIN. ALL OVER Ni UNDER 3±2um
3	MOUNT PLATE	PHOSPHOR BRONZE	4	

n : NUMBER OF CONTACTS

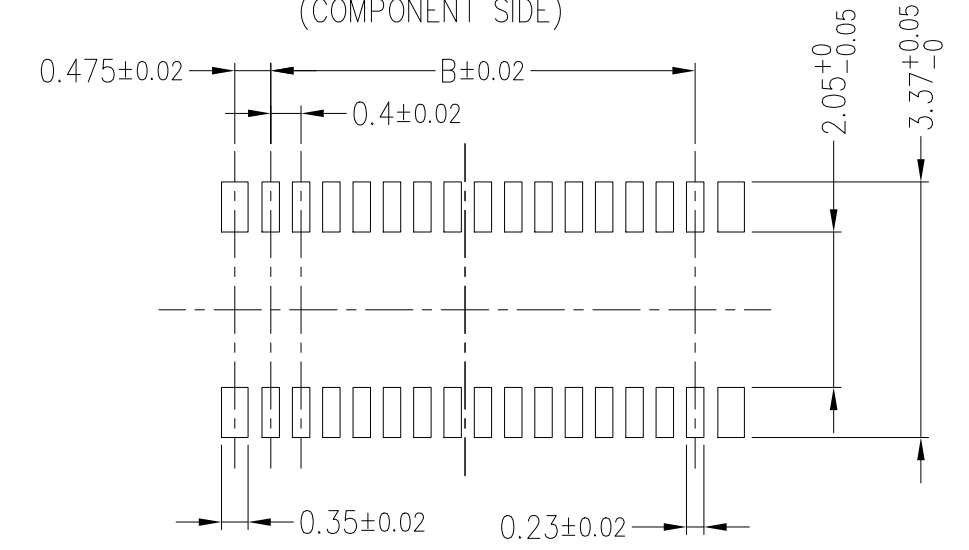
PRODUCT NO.	No OF CONTACTS	A	B	C
10142886-030A2HLF	30	7.52	5.6	1.5



PICK AND PLACE AREA



RECOMMENDED PC BOARD LAYOUT
(COMPONENT SIDE)



Note

- CO-PLANARITY FOR CONTACT TERMINALS MUST BE 0.1mm MAX.
- THIS PRODUCT MEETS EUROPEAN UNION DIRECTIVES AND OTHER COUNTRY REGULATIONS AS DESCRIBED IN GS-47-0004.
- THE HOUSING WILL WITHSTAND EXPOSURE TO 260°C PEAK TEMPERATURE FOR 10SECONDS IN A REFLOW SOLDERING OVEN.
- RECOMMENDED STENCIL THICKNESS IS 120um.
- RECOMMENDED STENCIL OPENING RATIO IS 80%.
- PRODUCT SPEC : GS-12-1404.
- THE DOCUMENT MAY BE CHANGED WITHOUT PRIOR NOTICE.

mat'l. code		surface ISO 1302 ✓	tolerance ISO 406 ISO 1101	projection mm	product family BTB0.4MM Self-Alignment
ltr	ecn no	dr	date	tolerances unless otherwise specified	title HEADER ASSY BTB0.4MM Self-Alignment
c				angles linear 0°±3'	scale 1:1
		dr	S.WATANABE	2018-08-06	sheet 2 of 2
		enr	Bob Gu	2020-03-03	10142886
		chr	LQ Lei	2020-03-03	A3
		appd	Tim Yao	2020-03-03	type Product Customer Drawing
sheet index	revision sheet	c	1~2		