

MATERIALS AND FINISHES:

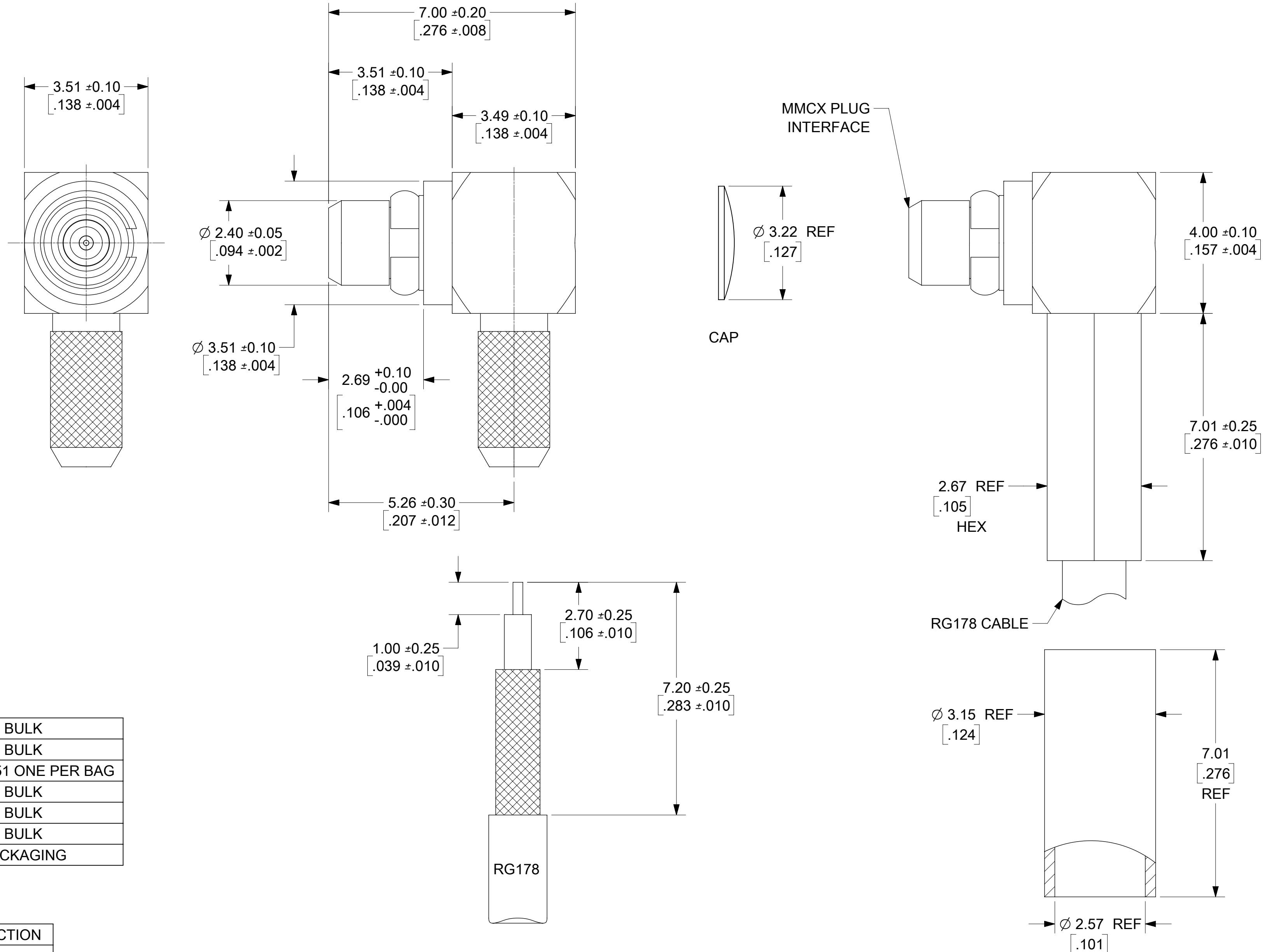
BODY, CONTACT ,CAP: BRASS
FINISH: GOLD OVER NICKEL(SEE TABLE)

SNAP RING: BERYLLIUM COPPER
FINISH: GOLD OVER NICKEL(SEE TABLE)

INSULATORS: PTFE

NOTE :

- 1) 73415-0955 IS FOR ENHANCED PERFORMANCE.
- 2) RG178 CABLE OR EQUIVALENT CRIMPING FORCE 6.5kgf MIN.



RECOMMENDED STRIP DIMENSIONS

73415-0955	COMMERCIAL	BULK
73415-0954	COMMERCIAL	BULK
73415-0953	COMMERCIAL	73415-0951 ONE PER BAG
73415-0952	NICKEL	BULK
73415-0951	COMMERCIAL	BULK
73415-0950	MILITARY	BULK
PART NO.	DESCRIPTION	PACKAGING

AS-89675-5070	CABLE ASSY INSTRUCTION
ES-73599-0000-015	INTERFACE
PS-89675-1920	ELECTRICAL/MECHANICAL
SPECIFICATION	DESCRIPTION

73415-0955	1 OVER 50	5 OVER 50	1 OVER 50	1 OVER 50	1 OVER 50
73415-0954	1 OVER 50	5 OVER 50	1 OVER 50	1 OVER 50	1 OVER 50
73415-0952	0 OVER 100	30 OVER 50	0 OVER 100	0 OVER 100	10 OVER 100
73415-0951	1 OVER 50	30 OVER 50	1 OVER 50	1 OVER 50	1 OVER 50
73415-0950	30 OVER 100	50 OVER 100	30 OVER 100	50 OVER 100	30 OVER NA
PART NO.	BODY (μ-in MIN)	CONTACT (μ-in MIN)	SNAP RING (μ-in MIN)	CAP (μ-in MIN)	CRIMP TUBE (μ-in MIN)
PLATING (GOLD OVER NICKEL)					

RELEASE STATUS P1 RELEASE DATE 13.09.2017 12:16:13

QUALITY SYMBOLS	THIS DRAWING CONTAINS INFORMATION THAT IS PROPRIETARY TO MOLEX ELECTRONIC TECHNOLOGIES, LLC AND SHOULD NOT BE USED WITHOUT WRITTEN PERMISSION		DIMENSION UNITS	SCALE
▽ = 0	2017/07/14	2017/09/13	mm	
▽ = 0	2017/09/13	2017/09/13	DRWN BY	DATE
▽ = 0	2017/09/13	2017/09/13	YCHENG	2016/09/13
▽ = 0	GENERAL TOLERANCES (UNLESS SPECIFIED)		CHK'D BY	DATE
▽ = 0	MM	INCH	BBHARADWAJD	2017/09/13
▽ = 0	4 PLACES	±	APPR BY	DATE
▽ = 0	3 PLACES	±	YCHENG	2016/09/19
▽ = 0	2 PLACES	± 0.25	DRWG SIZE	THIRD ANGLE PROJECTION
▽ = 0	1 PLACES	±	C	
▽ = 0	0 PLACES	±	DRAFT WHERE APPLICABLE MUST REMAIN WITHIN DIMENSIONS	
▽ = 0	ANGULAR TOL = 2.0			
▽ = 0	EC NO: 120304			
▽ = 0	DRWN: BBHARADWAJD			
▽ = 0	CHKD: BBHARADWAJD			
▽ = 0	REV / APPR: AROBERTSON			
▽ = 0	A2			

**MMCX PLUG, 50 OHMS, R/A,
FOR RG178 CABLE, MMCX-P/RG178, EWR-11074**

PRODUCT CUSTOMER DRAWING

SERIES	MATERIAL NUMBER	CUSTOMER
73415	SEE TABLE	

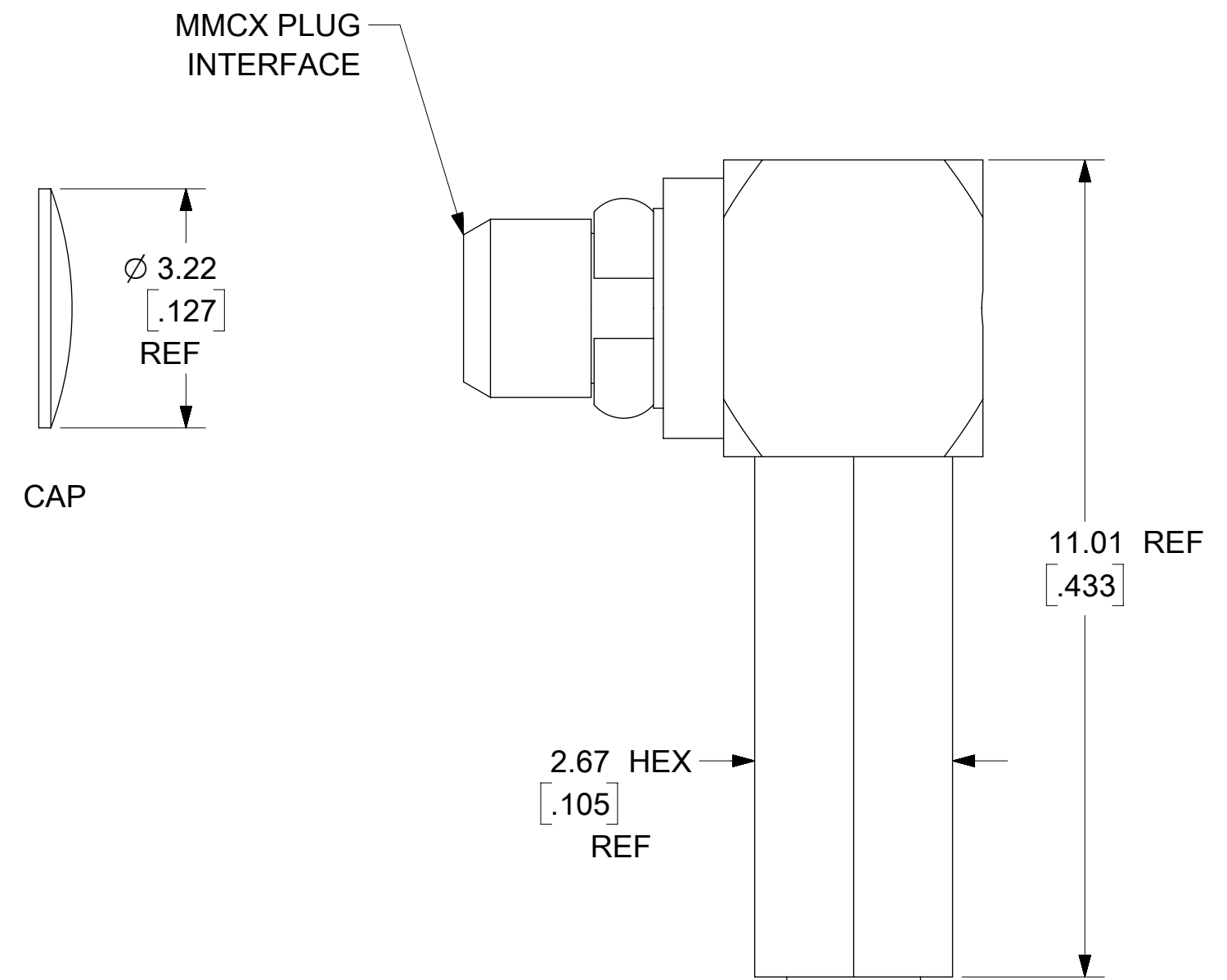
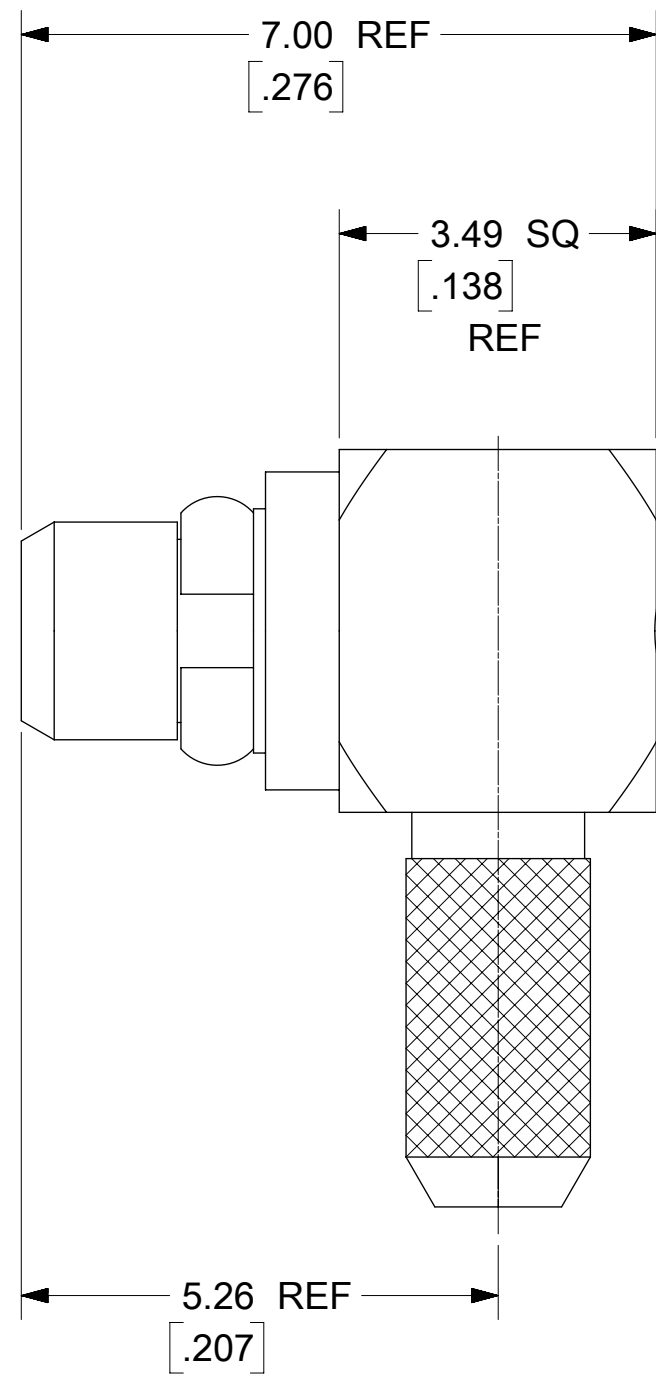
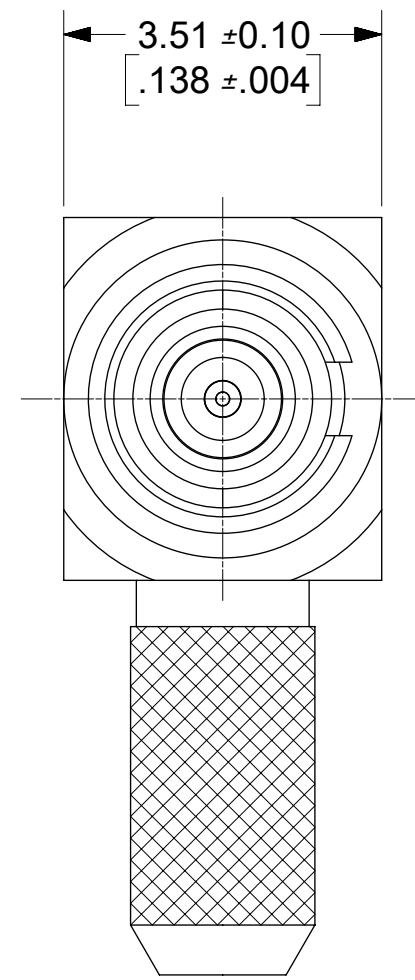
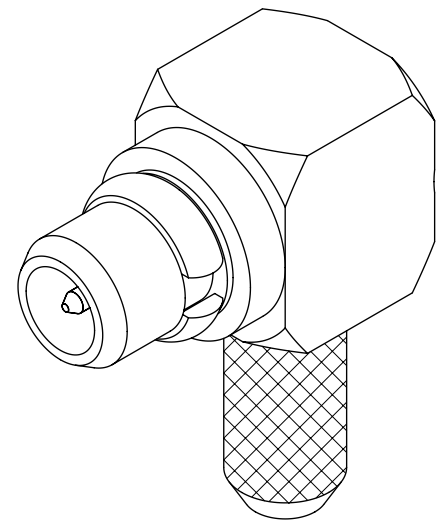
DOCUMENT NUMBER	DOC TYPE	DOC PART	SHEET NUMBER
RSD-73415-095	PSD	001	1 OF 1

MATERIALS AND FINISHES:

BODY, CONTACT ,CAP, CRIMP TUBE: BRASS
 FINISH: GOLD OVER NICKEL(SEE TABLE)

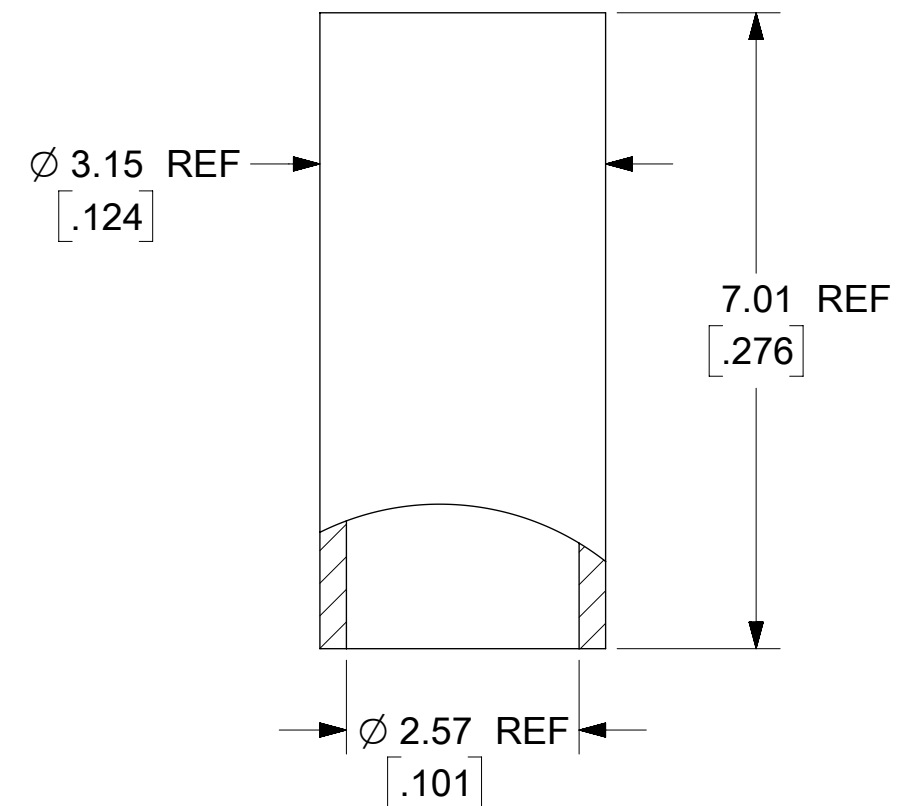
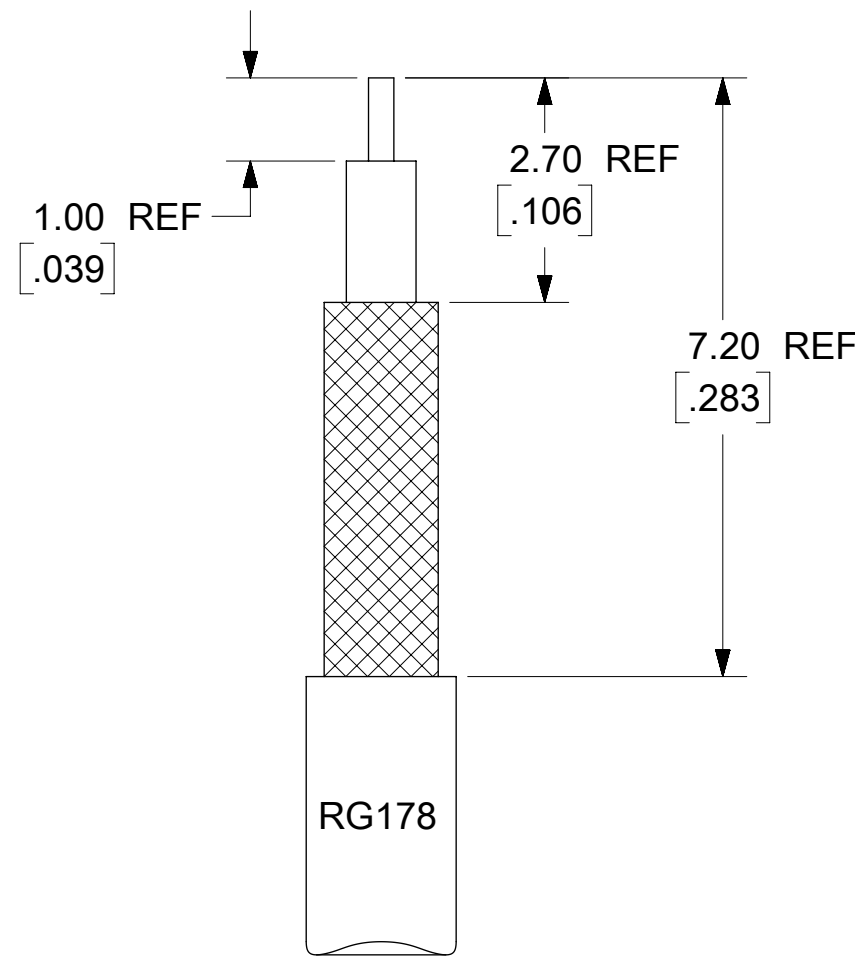
SNAP RING: BERYLLIUM COPPER
 FINISH: GOLD OVER NICKEL(SEE TABLE)

INSULATORS: PTFE



NOTE :

- 1) 73415-0955 IS FOR ENHANCED PERFORMANCE.
- 2) RG178 CABLE OR EQUIVALENT CRIMPING FORCE 6.5kgf MIN.



73415-0955	COMMERCIAL	BULK
73415-0954	COMMERCIAL	BULK
73415-0953	COMMERCIAL	73415-0951 ONE PER BAG
73415-0952	NICKEL	BULK
73415-0951	COMMERCIAL	BULK
73415-0950	MILITARY	BULK
PART NO.	DESCRIPTION	PACKAGING

AS-89675-5070	CABLE ASSY INSTRUCTION
IEC-61169-52	INTERFACE
PS-89675-1920	ELECTRICAL/MECHANICAL
SPECIFICATION	DESCRIPTION

RECOMMENDED STRIP DIMENSIONS

73415-0955	1 OVER 50	5 OVER 50	1 OVER 50	1 OVER 50	1 OVER 50
73415-0954	1 OVER 50	5 OVER 50	1 OVER 50	1 OVER 50	1 OVER 50
73415-0952	0 OVER 100	30 OVER 50	0 OVER 100	0 OVER 100	10 OVER 100
73415-0951	1 OVER 50	30 OVER 50	1 OVER 50	1 OVER 50	1 OVER 50
73415-0950	30 OVER 100	50 OVER 100	30 OVER 100	50 OVER 100	30 OVER NA
PART NO.	BODY (µ-in MIN)	CONTACT (µ-in MIN)	SNAP RING (µ-in MIN)	CAP (µ-in MIN)	CRIMP TUBE (µ-in MIN)
PLATING (GOLD OVER NICKEL)					

RELEASE STATUS P1 RELEASE DATE 13.09.2017 12:16:15

THIS DRAWING CONTAINS INFORMATION THAT IS PROPRIETARY TO MOLEX ELECTRONIC TECHNOLOGIES, LLC AND SHOULD NOT BE USED WITHOUT WRITTEN PERMISSION

SEE ECM EC NO: 120304 DRWN: BBHARADWAJD CHKD: BBHARADWAJD REV: APPR: AROBERTSON	2017/07/14		2017/09/13		2017/09/13	
	GENERAL TOLERANCES (UNLESS SPECIFIED)			DIMENSION UNITS		SCALE
				mm		
				DRWN BY		DATE
	4 PLACES ±			YCHENG		2016/09/13
	3 PLACES ± ± 0.01			CHK'D BY		DATE
2 PLACES ± 0.25 ±			BBHARADWAJD		2017/09/13	
1 PLACES ± ±			APPR BY		DATE	
0 PLACES ± ±			YCHENG		2016/09/19	
ANGULAR TOL = 2.0			DRAWING SIZE		THIRD ANGLE PROJECTION	
DRAFT WHERE APPLICABLE MUST REMAIN WITHIN DIMENSIONS			C			
MMCX PLUG, 50 OHMS R/A, FOR RG178 CABLE, MMCX-P/RG178, EWR-11074						
PRODUCT CUSTOMER DRAWING						
SERIES		MATERIAL NUMBER		CUSTOMER		
73415		SEE TABLE				
DOCUMENT NUMBER				DOC TYPE	DOC PART	SHEET NUMBER
SD-73415-095				PSD	001	1 OF 1