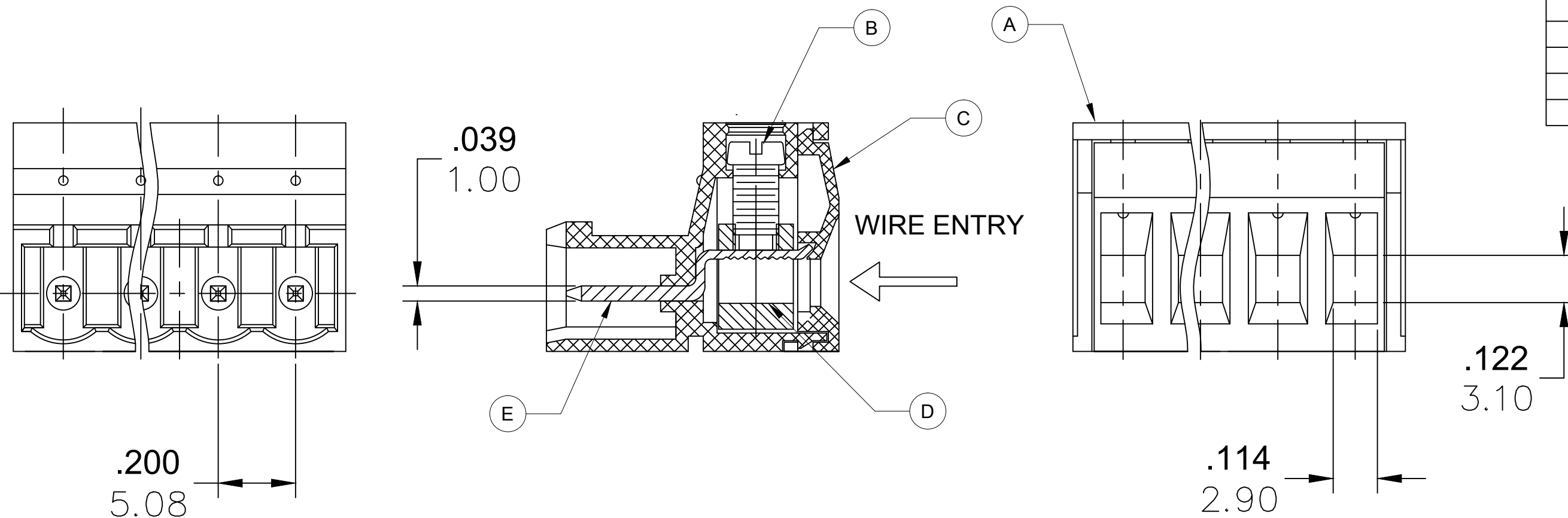
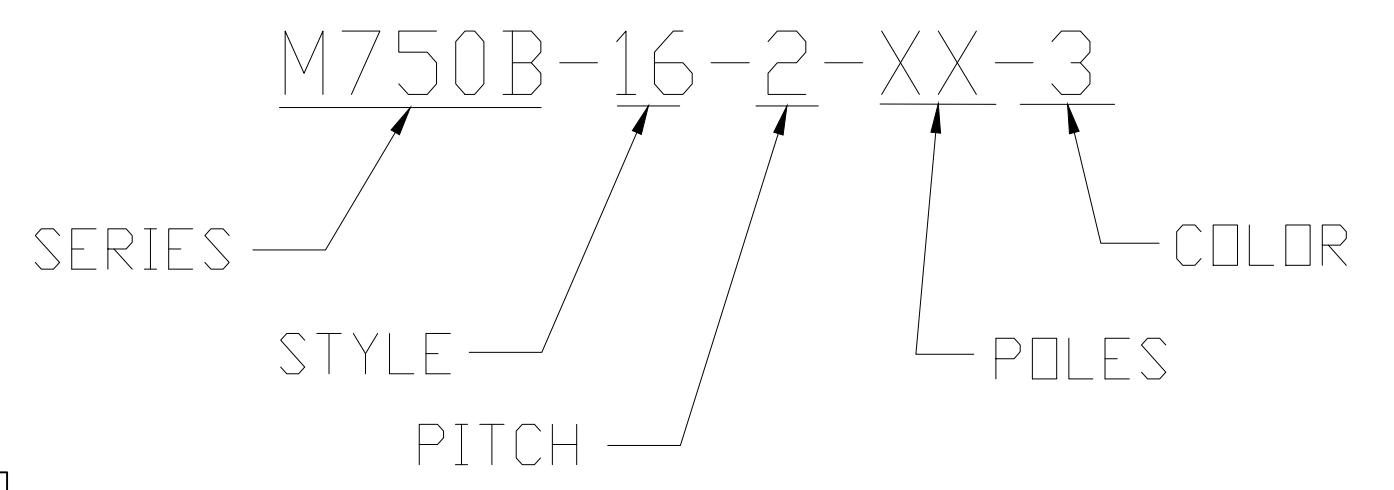


PART NUMBER DATA							
CIRCUITS	PART NUMBER	ENGINEERING NUMBER	COLOR	A IN mm		B IN mm	
2	397150002	M750B-16-2-02-3	GREEN	.46	11.7	.200	5.08
3	397150003	M750B-16-2-03-3	GREEN	.66	16.7	.400	10.16
4	397150004	M750B-16-2-04-3	GREEN	.86	21.8	.600	15.24
5	397150005	M750B-16-2-05-3	GREEN	1.06	26.9	.800	20.32
6	397150006	M750B-16-2-06-3	GREEN	1.26	32.0	1.000	25.40
7	397150007	M750B-16-2-07-3	GREEN	1.46	37.1	1.200	30.48
8	397150008	M750B-16-2-08-3	GREEN	1.66	42.1	1.400	35.56
9	397150009	M750B-16-2-09-3	GREEN	1.86	47.2	1.600	40.64
10	397150010	M750B-16-2-10-3	GREEN	2.06	52.3	1.800	45.72
11	397150011	M750B-16-2-11-3	GREEN	2.26	57.4	2.000	50.80
12	397150012	M750B-16-2-12-3	GREEN	2.46	62.5	2.200	55.88
13		M750B-16-2-13-3	GREEN	2.66	67.5	2.400	60.96
14		M750B-16-2-14-3	GREEN	2.86	72.6	2.600	66.04
15		M750B-16-2-15-3	GREEN	3.06	77.7	2.800	71.12
16		M750B-16-2-16-3	GREEN	3.26	82.8	3.000	76.20
17		M750B-16-2-17-3	GREEN	3.46	87.9	3.200	81.28
18		M750B-16-2-18-3	GREEN	3.66	92.9	3.400	86.36
19		M750B-16-2-19-3	GREEN	3.86	98.0	3.600	91.44
20		M750B-16-2-20-3	GREEN	4.06	103.1	3.800	96.52
21		M750B-16-2-21-3	GREEN	4.26	108.2	4.000	101.59
22		M750B-16-2-22-3	GREEN	4.46	113.3	4.200	106.67
23		M750B-16-2-23-3	GREEN	4.66	118.3	4.400	111.75
24		M750B-16-2-24-3	GREEN	4.86	123.4	4.600	116.83

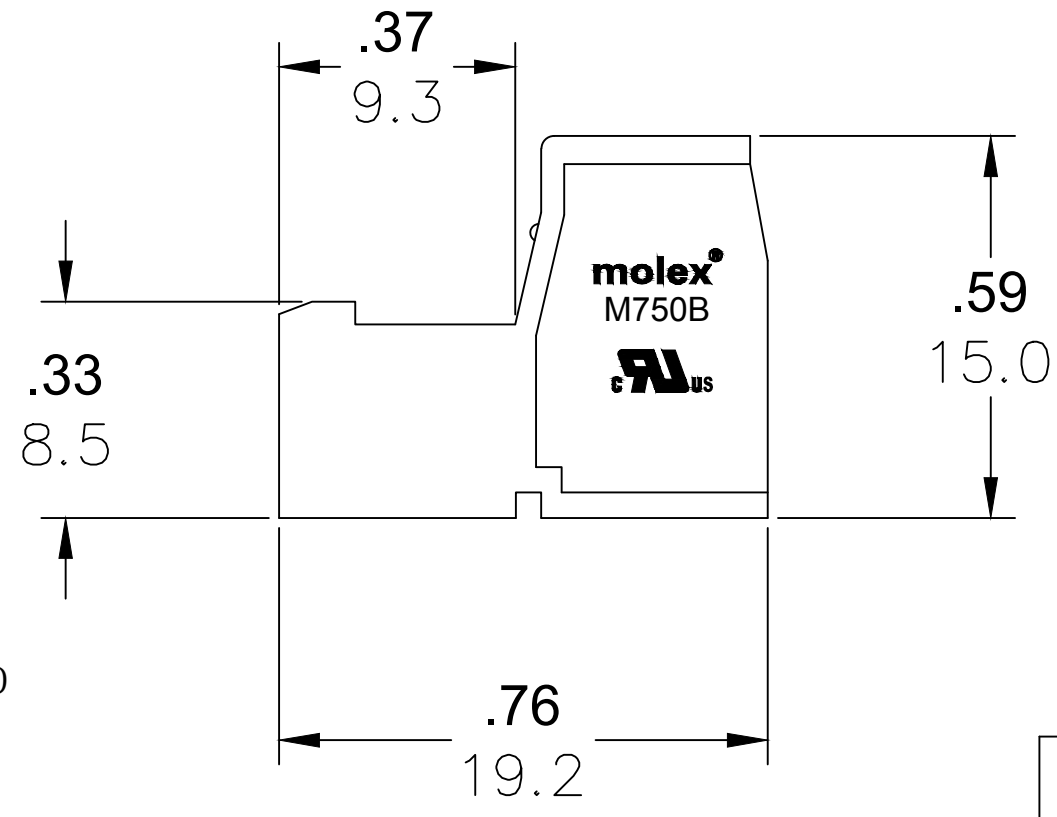
REF. LAST 2 DIGITS OF PART NUMBER EQUALS CIRCUIT COUNT



ENGINEERING NUMBER LEGEND



CONTACT FACTORY FOR OPTIONAL COLORS



TOLERANCES			
MM	TOL	INCH	TOL
0-6	±0.25	0-.24	±.010
>6-30	±0.40	.24-1.18	±.016
>30-120	±0.50	1.18-4.76	±.020
>120	±0.80	>4.76	±.031

- SPECIFICATIONS**
- MATERIAL:**
    - A. BODY : PA66.UL94 V-0
    - B. SCREW: M3, STEEL. ZINC PLATED
    - C. COVER: PA66.UL94 V-0
    - D. CAGE: BRASS.NI PLATED
    - E. TERMINAL :BRASS. TIN PLATED
  - WIRE SIZE: 24~12AWG
  - RATING: 250V, 12A
  - MAX TORQUE : 4. 4LBF. IN
  - WIRE STRIP LENGTH: .20in. (5.0mm)
  - OPERATING TEMPERATURE: -40°C TO +105°C
  - DIMS. SHOWN ARE FOR REFERENCE ONLY

REVISED DOC TOL EC NO.: ICG2017-0881 DRWN: ABENJAMI CHKD: --- APPR: BRUPERT 2014/10/16 A1	QUALITY SYMBOL ▽=0 ▽C=0	GENERAL TOLERANCES (UNLESS SPECIFIED) mm INCH 4 PLACES ±--- ±--- 3 PLACES ±--- ±--- 2 PLACES ±--- ±--- 1 PLACE ±--- ±--- ANGULAR ±---° DRAFT WHERE APPLICABLE MUST REMAIN WITHIN DIMENSIONS	DIMENSION STYLE IN/MM DRAWN BY DATE RSTONE 2014/04/17 CHECKED BY DATE G FARNSW APPROVED BY DATE JFMURPHY 2014/10/16 MATERIAL NO. SEE CHART SIZE C	SCALE --- DESIGN UNITS METRIC THIRD ANGLE PROJECTION	TITLE PLUG, 5.08MM MALE, HORIZONTAL MOLEX INCORPORATED DOCUMENT NO. SD-39715-001 SHEET NO. 1 OF 1
	THIS DRAWING CONTAINS INFORMATION THAT IS PROPRIETARY TO MOLEX INCORPORATED AND SHOULD NOT BE USED WITHOUT WRITTEN PERMISSION				