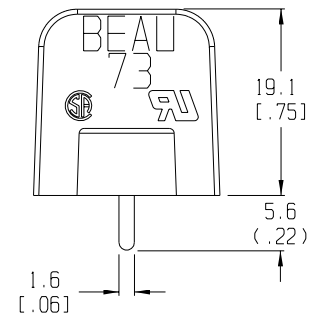
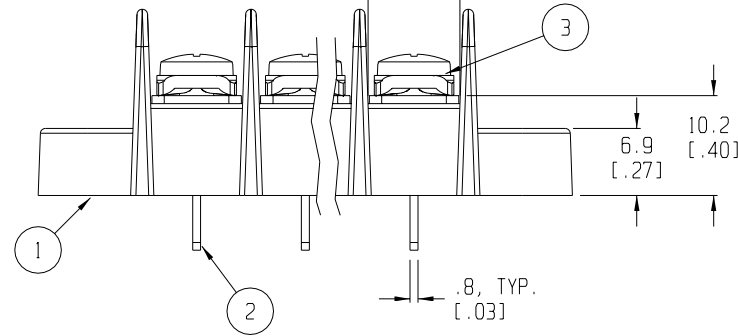


| MATERIAL NO. | # OF CIRC. "XX" | "A" | "B" | "C" | "D" |
|--------------|-----------------|--------------|--------------|--------------|--------------|
| 387307302 | 2 | 43.5 (1.71) | 11.1 (.44) | 33.3 (1.31) | 24.5 (.97) |
| 387307303 | 3 | 54.6 (2.15) | 22.2 (.88) | 44.5 (1.75) | 35.7 (1.40) |
| 387307304 | 4 | 65.7 (2.59) | 33.3 (1.31) | 55.6 (2.19) | 46.8 (1.84) |
| 387307305 | 5 | 76.8 (3.03) | 44.5 (1.75) | 66.7 (2.63) | 57.9 (2.28) |
| 387307306 | 6 | 87.9 (3.46) | 55.6 (2.19) | 77.8 (3.06) | 69.0 (2.72) |
| 387307307 | 7 | 99.1 (3.90) | 66.7 (2.63) | 88.9 (3.50) | 80.1 (3.15) |
| 387307308 | 8 | 110.2 (4.39) | 77.8 (3.06) | 100.0 (3.94) | 91.2 (3.59) |
| 387307309 | 9 | 121.3 (4.78) | 88.9 (3.50) | 111.1 (4.38) | 102.3 (4.03) |
| 387307310 | 10 | 132.4 (5.21) | 100.0 (3.94) | 122.2 (4.81) | 113.4 (4.47) |
| 387307311 | 11 | 143.5 (5.65) | 111.1 (4.38) | 133.4 (5.25) | 124.6 (4.90) |
| 387307312 | 12 | 154.6 (6.09) | 122.2 (4.81) | 144.5 (5.69) | 135.7 (5.34) |
| 387307313 | 13 | 165.7 (6.53) | 133.4 (5.25) | 155.6 (6.13) | 146.8 (5.78) |
| 387307314 | 14 | 176.8 (6.96) | 144.5 (5.69) | 166.7 (6.56) | 157.9 (6.22) |
| 387307315 | 15 | 188.0 (7.40) | 155.6 (6.13) | 177.8 (7.00) | 169.0 (6.65) |
| 387307316 | 16 | 199.1 (7.84) | 166.7 (6.56) | 188.9 (7.44) | 180.1 (7.09) |
| 387307317 | 17 | 210.2 (8.28) | 177.8 (7.00) | 200.0 (7.88) | 191.2 (7.53) |
| 387307318 | 18 | 221.3 (8.71) | 188.9 (7.44) | 211.1 (8.31) | 202.3 (7.97) |
| 387307319 | 19 | 232.4 (9.15) | 200.0 (7.88) | 222.3 (8.75) | 213.5 (8.40) |
| 387307320 | 20 | 243.5 (9.59) | 211.1 (8.31) | 233.4 (9.19) | 224.6 (8.84) |



NOTES:

1. MATERIAL: SEE TABLE
2. FINISHES: SEE TABLE
3. PRODUCT SPECIFICATION: NOT REQUIRED
4. PACKAGING: NOT REQUIRED
5. MATES WITH: NONE

| | | |
|--|----------------------------------|--------------------|
| PROJECT NO. - | - | - |
| DIMENSIONS: | SHT | REV |
| <input checked="" type="checkbox"/> mm <input type="checkbox"/> INCH | <input type="checkbox"/> mm ONLY | REVISE ON CAD ONLY |

| | | | | | |
|--|---|--|--|--------------------------|--|
| RELEASED EC NO. DRWN: RK CH'K: APPR: A | QUALITY SYMBOLS MAJOR = CRITICAL = SPC = | GENERAL TOLERANCES: (UNLESS SPECIFIED) | SCALE 2:1 DESIGN UNITS <input type="checkbox"/> mm <input checked="" type="checkbox"/> INCH | THIRD ANGLE PROJECTION | TITLE: SR BTS ASY, PC, MTG ENDS W/ SQ WASHER SCREW MOLEX INCORPORATED |
| | | 4 PLACES mm INCH ±.0015 ±.005 3 PLACES ±.038 ±.005 2 PLACES ±.13 ±.01 1 PLACE ±.3 | DRAWN BY & DATE R. KEMP 6-23-03 CHECKED BY & DATE APPROVED BY & DATE | CAD FILENAME 735XX-50 | |
| DRAFT WHERE APPLICABLE MUST REMAIN WITHIN DIMENSIONS | | THIS DRAWING CONTAINS INFORMATION THAT IS PROPRIETARY TO MOLEX INCORPORATED AND SHOULD NOT BE USED WITHOUT WRITTEN PERMISSION. | | | SIZE B |

| ITEM | QTY. | DESCRIPTION | MATERIAL | FINISH |
|------|------|-------------|---------------|--------------------|
| 3 | XX | SCREW | STEEL | ZN, CLEAR CHROMATE |
| 2 | XX | TERMINAL | BRASS | TIN |
| 1 | 1 | BARRIER | THERMOPLASTIC | BLACK |