

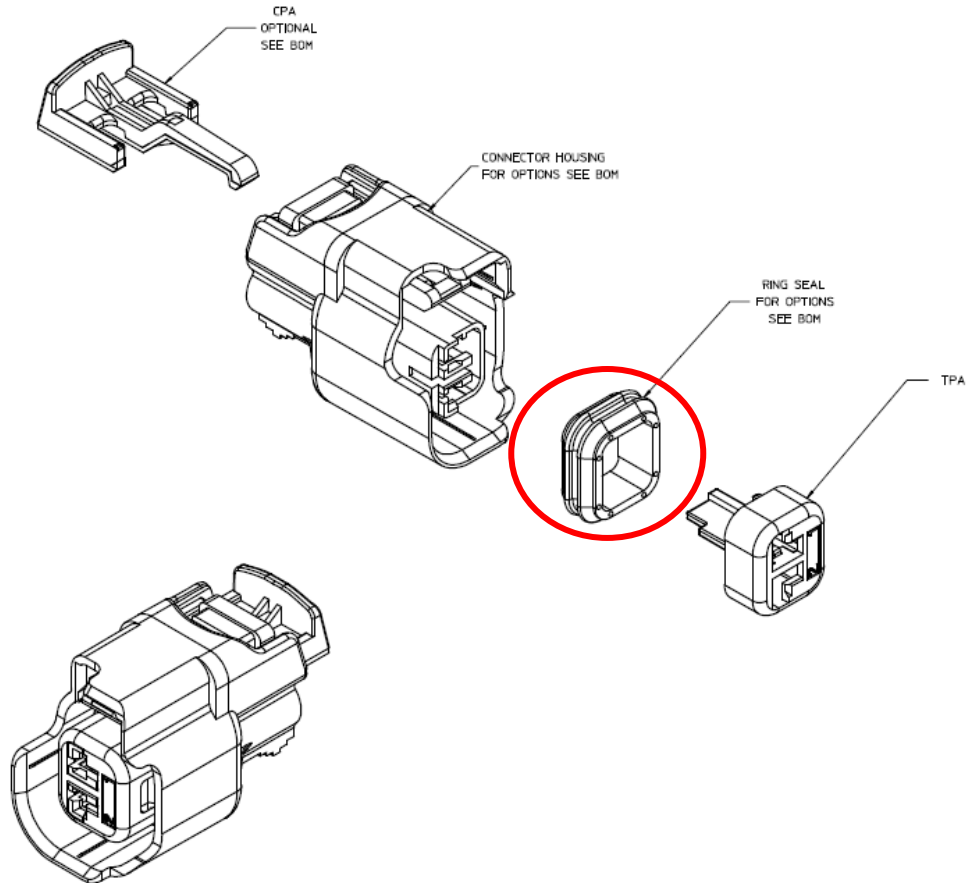


## MX150 Connector – GFI Ring Seal Customer Notification Letter 34062 Receptacle Connectors Series

May 6th, 2013

Dear Molex Customer,

The purpose of this letter is to inform you that a capacity tool making the ring seal used in finished goods 34062 series is being fabricated to support the increased demand for this product. This is strictly a capacity tool with no design or material changes.



Our internal process will be followed for the replacement seal. This will include Molex approval of the vendors PPAP followed by USCAR guidelines for Capacity PV testing. Molex will PV test thereafter.

Shipments of connectors containing this seal will start to fill the pipeline in the June 2013 timeframe.

PPAP's can be available upon request from May 2013.

AJ Pill  
Global Product Manager