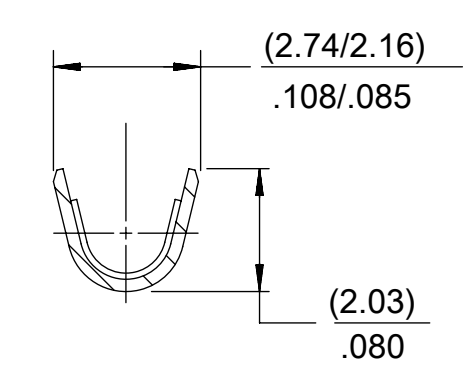
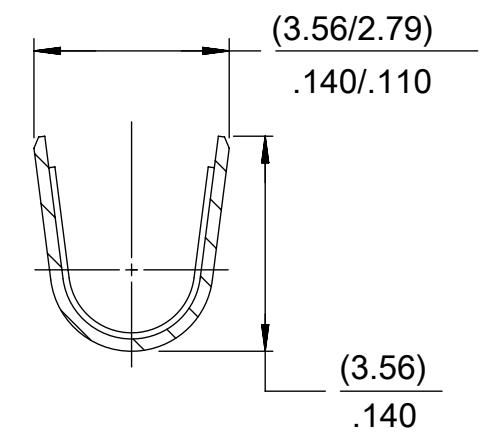


PART NO.	ENG. NO.
02-06-1101	1561-(P901)
02-06-1103	1561-(P901)L
02-06-5101	1561-(P561)
02-06-5102	1561-(P561)L
02-06-5108	1561-(P228)
02-06-5109	1561-(P228)L
02-06-5100	1561-(P550)
02-06-5103	1561-(P550)L
NOT TOOLED	1561-1(P901)L



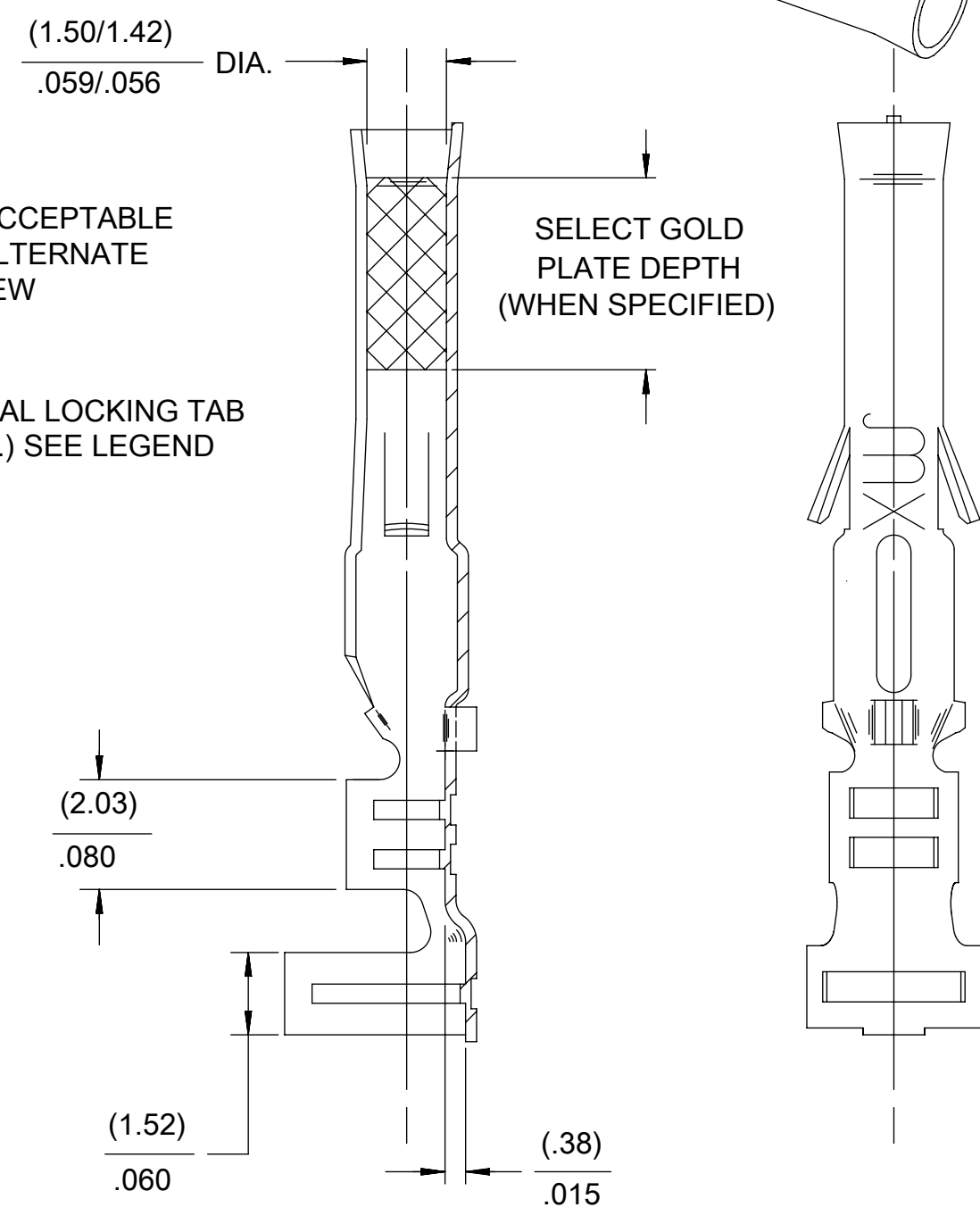
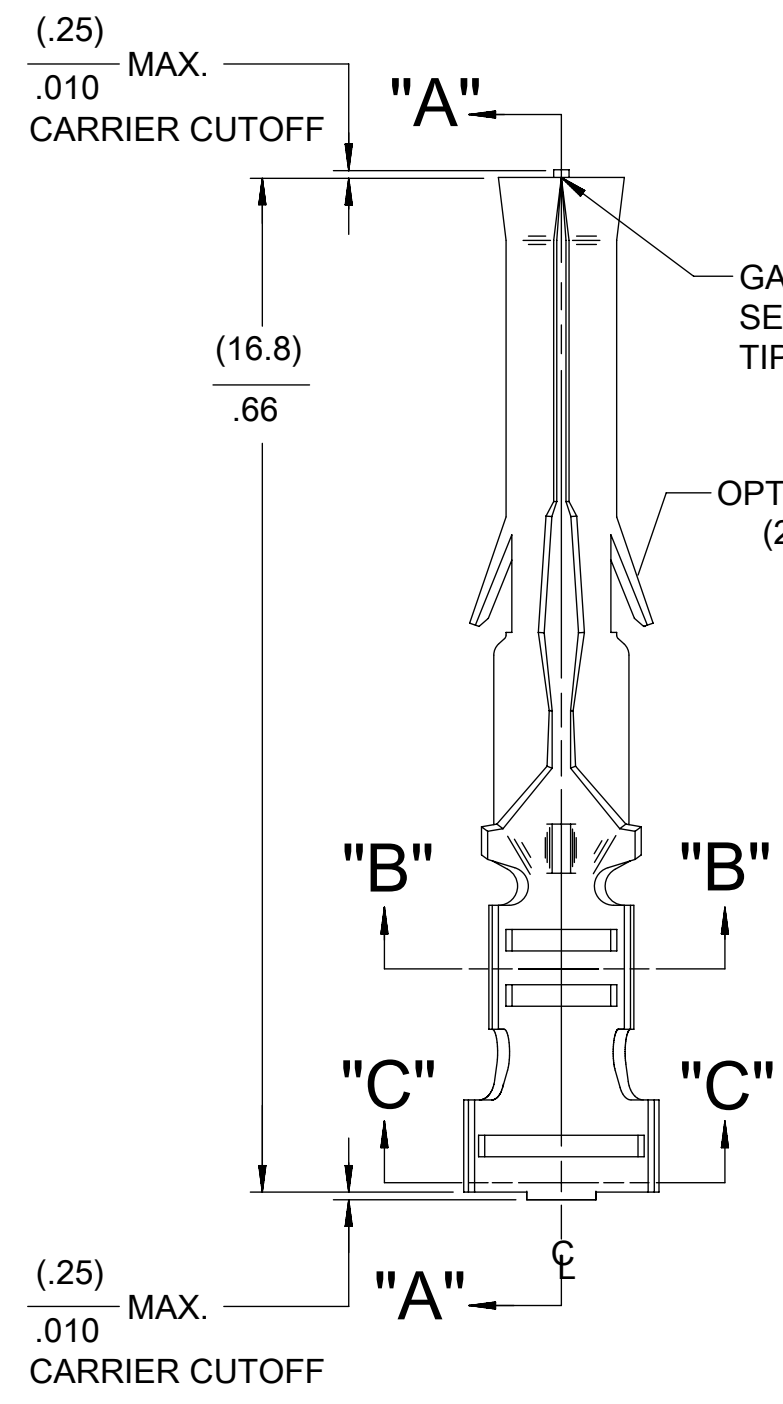
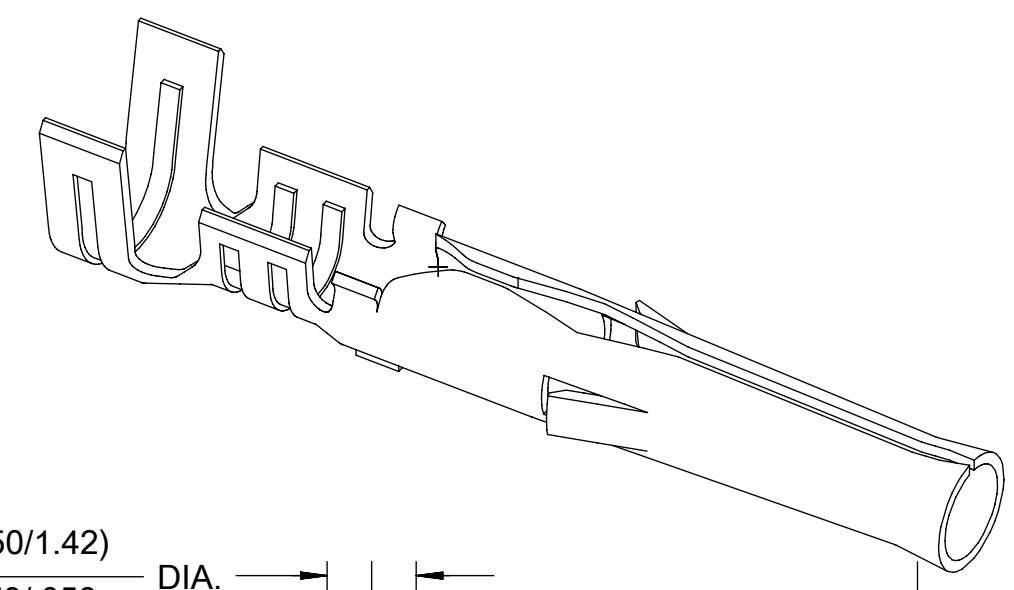
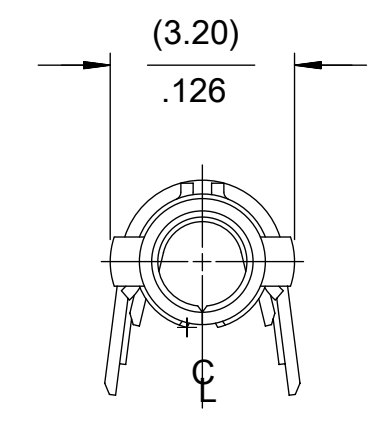
**SECT. "B-B"**  
SCALE:10X



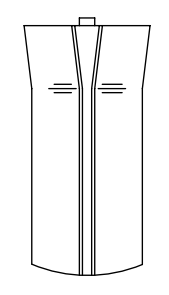
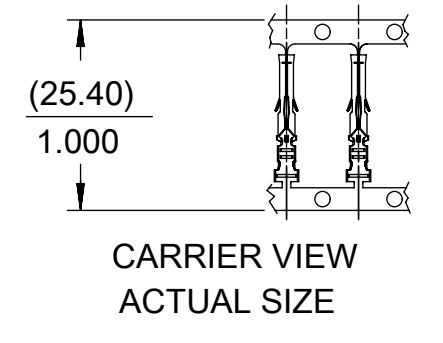
**SECT. "C-C"**  
SCALE:10X

**LEGEND**

1561-\*(\*\*\*)\*  
 BLANK=WITH LOCKING TABS  
 1=WITHOUT LOCKING TABS  
 P=PREPLATE  
 BLANK=POSTPLATE  
 FORM  
 BLANK=CHAIN  
 L=LOOSE  
 FINISH CODE



**SECT. "A-A"**



ALTERNATE TIP GEOMETRY  
SEE NOTE 7

- NOTES:  
 1. MATERIAL: BRASS  
 2. FINISH:  
 901 HOT TIN DIP (.00051)/.000020 MIN.  
 228 SELECT GOLD PLATE (.00075)/.000030 MIN. IN CONTACT AREA, SELECT TIN.  
 (.00250)/.000100 MIN. IN CRIMP AREA OVER (.00125)/.000050 MIN. NICKEL OVERALL.  
 561 SELECT GOLD PLATE (.00076)/.000030 MIN. IN CONTACT AREA, OVER  
 (.00127)/.000050 MIN. NICKEL OVERALL.  
 591 SELECT GOLD PLATE (.00175)/.000050 MIN. IN CONTACT AREA, OVER (.00127)/.000050  
 MIN. NICKEL OVERALL WITH (.000025)/.000010 MAX. GOLD FLASH OVERALL.  
 550 SELECT GOLD PLATE (.00038)/.000015 MIN. IN CONTACT AREA, OVER (.00076)/.000030  
 MIN. NICKEL OVERALL WITH (.000025)/.000010 MAX. GOLD FLASH OVERALL.  
 3. PRODUCT SPECIFICATION: PS-02-06.  
 4. PACKAGING INFORMATION:  
 LOOSE TERMINALS: PK-1190-003  
 CHAIN TERMINALS: 15610000-PK  
 5. TERMINAL FOR USE WITH (1.57)/.062 DIA. SERIES HOUSINGS AND WILL ACCEPT  
 18 THRU 24 AWG WIRE WITH (1.52/3.05)/.060/.120 INSULATION DIA.  
 6. PARTS CONFORM TO CLASS B REQUIREMENTS OF COSMETIC SPECIFICATION PS-45499-002.  
 7. TIP GEOMETRY IS TOOL DEPENDENT. EITHER GEOMETRY IS ACCEPTABLE.

FUNCTIONAL SYMBOLS	THIS DRAWING CONTAINS INFORMATION THAT IS PROPRIETARY TO MOLEX ELECTRONIC TECHNOLOGIES, LLC AND SHOULD NOT BE USED WITHOUT WRITTEN PERMISSION			
	DIMENSION UNITS	SCALE	CURRENT REV DESC: OBSOLETE PART NUMBER AS PER PCN#509988	
$\frac{F}{A} = 0$	MM/IN	NTS	<b>molex</b> CRIMP TERMINAL, FEMALE .062 DIA. FOR 18-24 AWG WIRE PRODUCT CUSTOMER DRAWING	
$\frac{F}{C} = 0$	GENERAL TOLERANCES (UNLESS SPECIFIED)			
$\frac{F}{P} = 0$				
DIVISIONAL SYMBOLS				
		MM	INCH	EC NO: 704776 DRWN: SUGEEB 2022/03/24 CHK'D: GGA 2022/05/24 APPR: GGA 2022/05/24
	4 PLACES	±	±	
	3 PLACES	±	± 0.01	
	2 PLACES	± 0.25	± 0.014	
	1 PLACE	± 0.36	±	
	0 PLACES	±	±	
	ANGULAR TOL	± 0.5°		
	DRAFT WHERE APPLICABLE MUST REMAIN WITHIN DIMENSIONS			
	THIRD ANGLE PROJECTION	DRAWING	SERIES	INITIAL REVISION: DRWN: GEW 1991/02/19 APPR: GWF 1991/02/19
		C-SIZE	1561	DOCUMENT NUMBER <b>SD-1561-X</b> MATERIAL NUMBER SEE TABLE
				DOC TYPE PSD DOC PART 001 REVISION AP4 CUSTOMER GENERAL MARKET SHEET NUMBER 1 OF 1