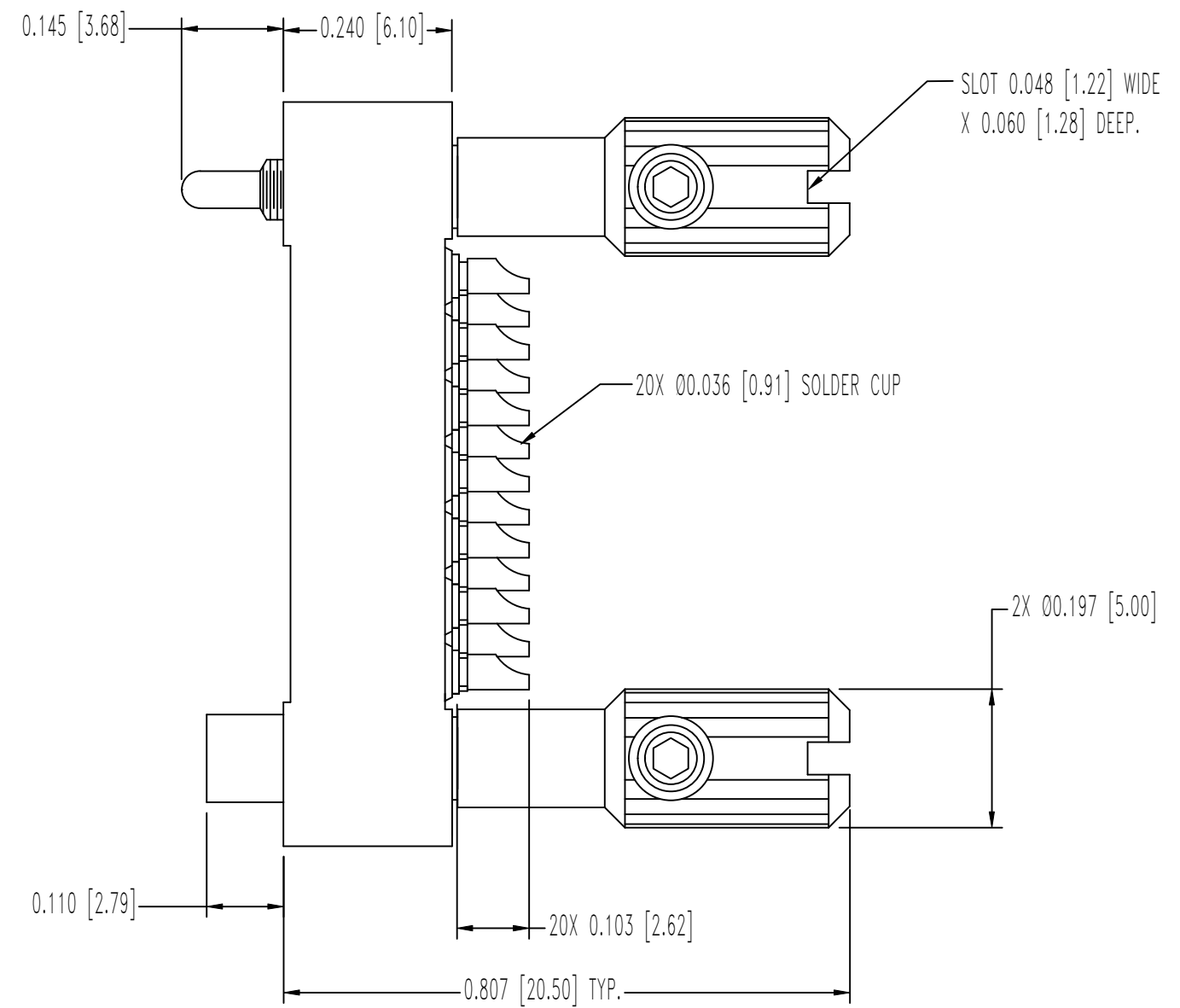
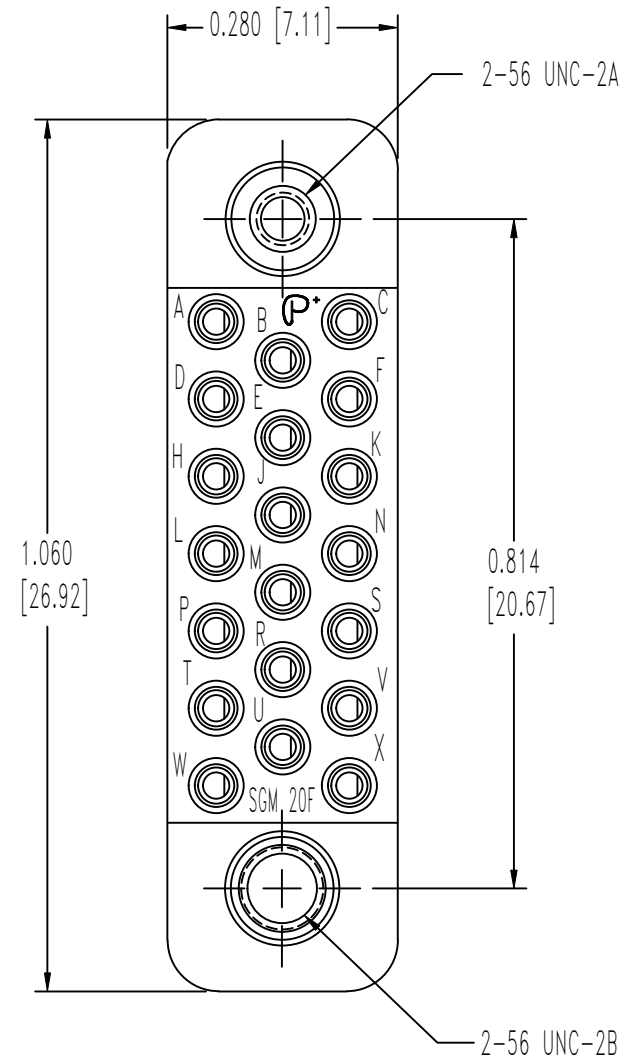


SK13592

| DATE    | REV | REVISION RECORD | APP  | DR | CK   |
|---------|-----|-----------------|------|----|------|
| 2-09-12 | NC  | ECO 35180       | COLE | BS | COLE |
|         |     |                 |      |    |      |
|         |     |                 |      |    |      |

THIS DRAWING CONTAINS INFORMATION PROPRIETARY TO POSITRONIC AND ITS SUBSIDIARIES. POSITRONIC BELIEVES THE DATA ON THIS DRAWING TO BE RELIABLE, SINCE THE TECHNICAL INFORMATION IS GIVEN FREE OF CHARGE, THE USER EMPLOYS SUCH INFORMATION AT HIS OWN DISCRETION AND RISK. POSITRONIC ASSUMES NO RESPONSIBILITY FOR RESULTS OBTAINED OR DAMAGES INCURRED FROM USE OF SUCH INFORMATION IN WHOLE OR IN PART.



NOTES:

1. MATERIALS AND FINISHES:

INSULATOR: GLASS FILLED DAP PER ASTM-D5948, SDG-F, COLOR: GREY.

CONTACTS: PRECISION MACHINED COPPER ALLOY, 0.000015 [0.38μ] GOLD OVER NICKEL PLATE.

JACKSCREWS: STAINLESS STEEL, PASSIVATED.

KNOBS: ALUMINUM WITH YELLOW ANODIZE.

2. DETAILED PRODUCT, MECHANICAL, AND ELECTRICAL INFORMATION IS AVAILABLE IN THE LATEST HIGH DENSITY RECTANGULAR PRODUCT PUBLICATION. VISIT

CONNECTPOSITRONIC.COM/PRODUCTS/54/HIGHDENSITYRECTANGULAR OR CONNECTPOSITRONIC.COM.

3. CONNECTORS ARE ROHS COMPLIANT PER ROHS DIRECTIVE 2002/95/EC OF 27 JAN 2003.

4. DIMENSIONS ARE IN INCHES [MILLIMETERS].

|                                    |  |                       |                           |
|------------------------------------|--|-----------------------|---------------------------|
|                                    | <b>POSITRONIC INDUSTRIES INC.</b><br>www.connectpositronic.com |                       | FSCM 28198                |
|                                    | SCALE<br>N.T.S.  | DRAWN BY<br>B SHELEDY | APPROVED BY<br>COLE       |
| DECIMAL TOL.<br>$\pm 0.015$ [0.38] | TITLE<br>SGM SERIES  |                       |                           |
| ANGULAR TOL.<br>$\pm 5^\circ$      | DATE<br>2-09-12  |                       | DRAWING NUMBER<br>SK13592 |
| DATE<br>2-09-12                    |  |                       | REV.<br>NC                |