

# PRODUCT SPECIFICATION DRAWING

**P2RFD-1652-4**

**FINISH:**

BODIE, SHELL & HARDWARE: WHITE BRONZE

PIN & CONTACTS: SILVER

**PERFORMANCE:**

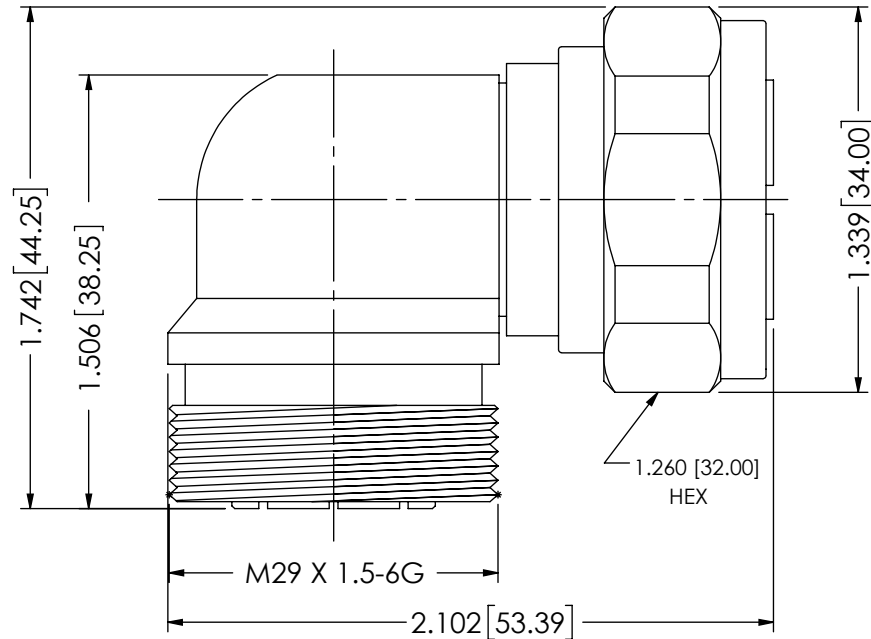
IMPEDANCE: 50 OHMS  
 VP: 77%  
 FREQ. RANGE: DC TO 5.5 GHz  
 DELAY: 200 ps OVER 7.0 GHz SPAN  
 VSWR: <1.1:1 TO 7 GHz  
 INSERTION LOSS: <-.1 dB TO 7.0 GHz  
 3rd ORDER IMP: >-170dBc IN PCS BAND w/2+43 dB TONES

**MATERIAL:**

BODIES, SHELL & HARDWARE: BRASS  
 PIN: BRASS  
 CONTACT & GROUND RING: BERYLLIUM COPPER  
 GASKET: SILICONE RUBBER, ZZ-R-765 DUROMETER 70  
 INSULATOR: PTFE PER ASTM-D1710

**MECHANICAL (TYP)**

MATING: M29 X 1.5mm THREAD  
 INTERFACE: CECC 22 190  
 MATING CYCLES: 500 min



UNLESS OTHERWISE SPECIFIED  
 DIMENSIONS ARE IN INCHES  
 & [MILLIMETERS]

**PROPRIETARY**

THE INFORMATION HEREIN IS CONFIDENTIAL AND PROPRIETARY. NO DISCLOSURE, REPRODUCTION, OR FURTHER DISSEMINATION MAY BE MADE WITHOUT THE EXPRESSED WRITTEN CONSENT OF RF INDUSTRIES.

**RFP<sup>2</sup>** RF PRECISION PRODUCTS  
 A DIVISION OF RF INDUSTRIES

7610 MIRAMAR ROAD, SAN DIEGO, CA 92126-4202  
 (858) 549-6340 - FAX (858) 549-6345 - RFP2@RFINDUSTRIES.COM

TITLE: **7/16 DIN JACK TO PLUG  
 RIGHT ANGLE ADAPTER**

REV	DESCRIPTION	DATE	APPROVED
-	ENGINEERING RELEASE	01/27/11	JDMc
A	UPDATED COUPLING NUT DESIGN, DWG. FORMAT & SPECS	05/15/15	JDMc

**RoHS  
 COMPLIANT**

DRAWN BY:	C. ZUNIGA	05/15/15
ENG APPROVAL:		
ORJ. DRAWN:	C. ZUNIGA	01/27/11

SCALE	CODE	DWG. NO.	REV
NTS	000000	<b>P2RFD-1652-4</b>	<b>A</b>
SHEET 1 OF 1			