

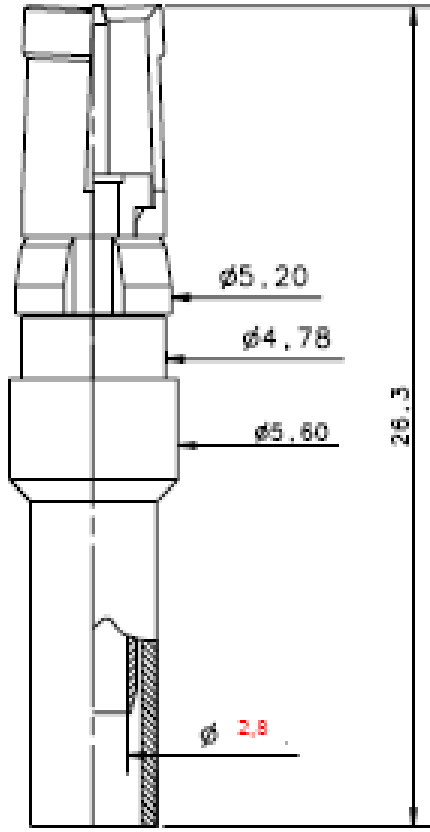
IDEAS - PLAN REALISE A PARTIR D'UN MODELE 3D
NE PEUT ETRE MIS A JOUR QUE SUR CAO

M CLIENT

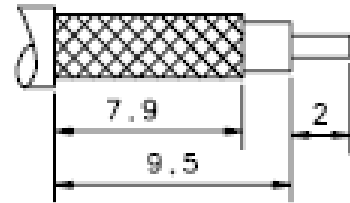
M OUTIL

M D'ETUDE

17A-101



Trim dimension



TECHNICAL DATA

materials :

- Inner male contact : Brass
- Outer female contact : Bronze
- Retaining ring : Beryllium copper
- Outer ring : Copper Alloy
- Insulator : PTFE

Plating :

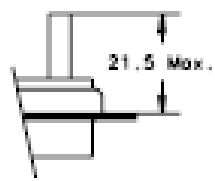
- Inner contact : min 0.5 μ m gold
- Outer contact : mini 0.5 μ m gold
- Cable entry area : min 0.2 μ m gold

Cable :
58 C/U

RG180B/U instead RG68C/U

Contact for 17DMW series connector in according with NF C 93-425 specification (HE 507 type)

Crimping operation of outer ring
Hand crimp tool P/N 227-0944 (M 22520/5-01)
Dies P/N 227-1221-03 (M 22520/5-03)
Extraction tool for sizes B cts 17D429SP



					TOU. GEN.	Amphenol Socapex		
					VOLUME PIECE	Usine de Dole		
					SURFACE PIECE			
					PROTECTION			
					TRAITEMENT	EDH. 3	ENS. 4W00210C	
					MATIERE	N SERIE		
A	<input checked="" type="checkbox"/>	CREATION PLAN	QUERE	16-03-2002				
		IND. MODIFICATIONS	EXEC.	DATE	Approb.			



DATE DU TIRAGE DESIGNATION STRAIGHT SHIELDED CONTACT FERRULE AND INNER SOLDER L17DM53742-5002

COMMUNICATION ET UTILISATION IMPRIMEES SANS AUTORISATION