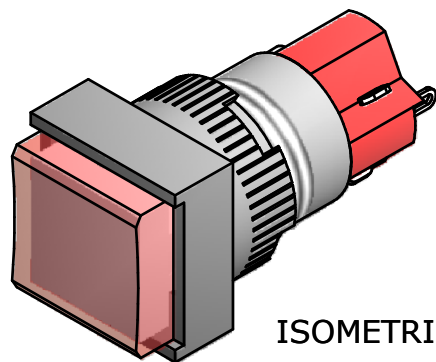
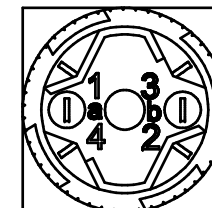
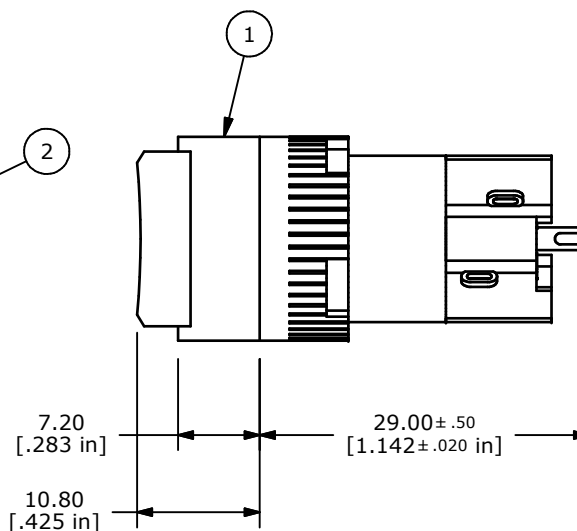
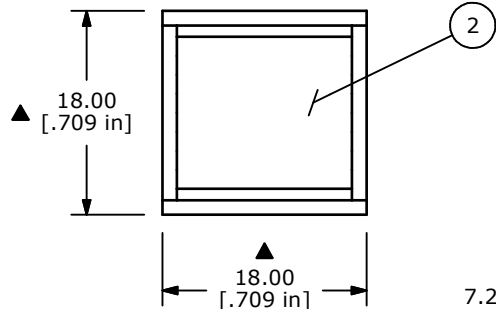
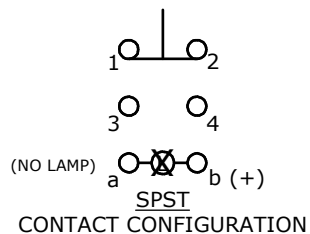


PANEL MOUNTING



ISOMETRIC

| PARTS LIST | | | |
|------------|-----|-------------|---------------------------------|
| ITEM | QTY | PART NUMBER | DESCRIPTION |
| 1 | 1 | F040005 | D16EES11 |
| 2 | 1 | F052314 | 50-003-14 OPAQUE RED (FLAT TOP) |



- NOTE:
- ALL DIMENSIONS IN MM [INCH]
 - GENERAL TOLERANCE: X.X=±0.4
X.XX=±0.25
 - TERMINAL NUMBERS FOR REF ONLY
 - RATING: 5A @250VAC
8A @125VAC
0.2A @250VDC
6A @24VDC
 - ELECTRICAL LIFE: >50,000 CYCLES
 - TRAVEL: 3.0MM FULL TRAVEL, 2.0MM LATCH
 - PANEL THICKNESS: 0.5 - 5 mm
 - SEALED TO IP40.
 - INSULATION RESISTANCE: 1,000 MEGA-OHM MIN.
 - OPERATING TEMP.: -25°C to 70°C
 - ▲ LAMP VOLTAGE: NONE
 - ▲ DENOTES CRITICAL PARAMETER.
 - PACKAGE: 20 PIECES PER BOX
 - 2002/95/EC (ROHS) COMPLIANT



| | | | | |
|-----|--------|-------------------------|---------|-----|
| A | 18129 | RELEASED FOR PRODUCTION | 6/17/08 | BLR |
| REV | PCR NO | DESCRIPTION | DATE | BY |

| | | | | |
|--------------------|-----------|-----|---------|-----|
| TITLE D16EES110RED | | | | |
| SCALE | DATE | DR | DWG | REV |
| 1.5:1 | 6/17/2008 | BLR | XF0754P | A |

THE INFORMATION CONTAINED IN THIS DOCUMENT IS PROPRIETARY TO E-SWITCH AND IS NOT TO BE COPIED OR TRANSFERRED