

Revision History

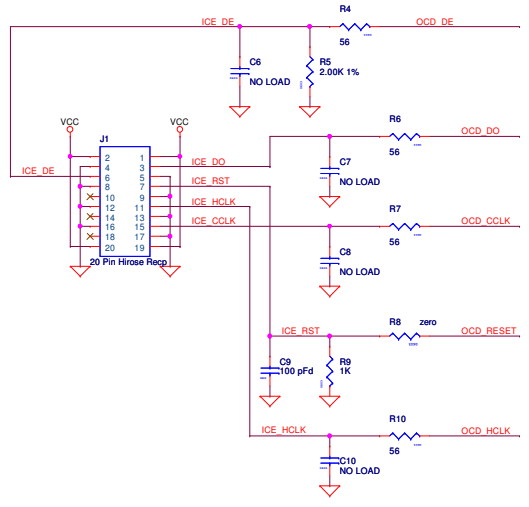
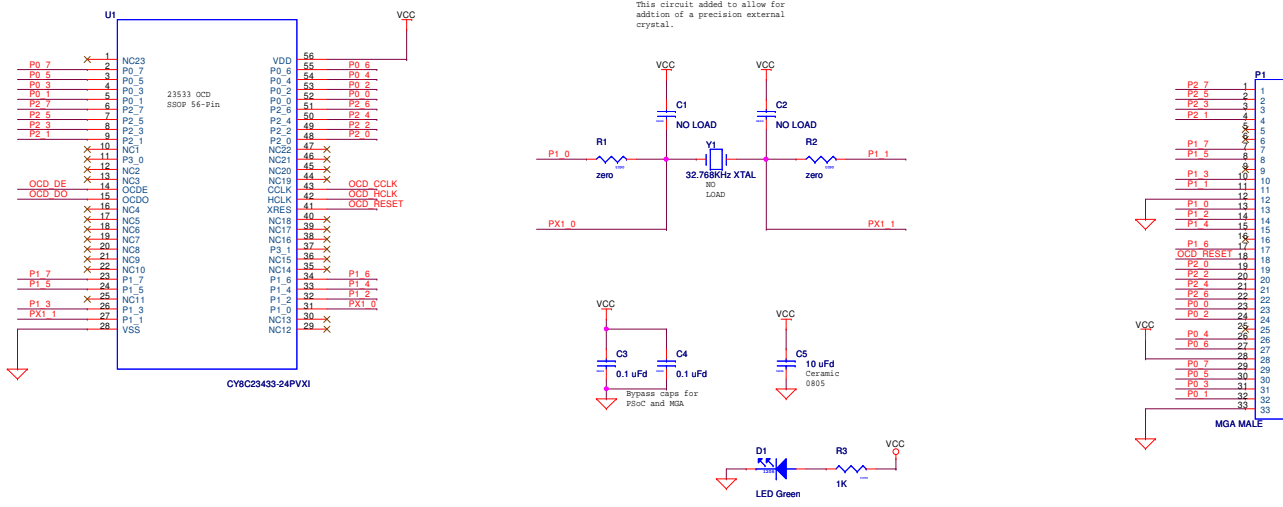
Rev 0.1 - Original

Rev 0.2 - Fixed Ref. Designator for MGA (changed from J1 to P1)

Rev 0.3 - Fixed schematic name to match kit name

CY3250-23X33QFN POD Schematic

This circuit added to allow for addition of a precision external crystal.



PCB: PDCR-9435 **
PCA: 121R-43500 **

CYPRESS SEMICONDUCTOR © 2007		
Title	CY3250-23X33QFN POD	
Size	Document Number	Rev
C	REF-14639	0.2
Date:	Wednesday, May 14, 2008	Sheet 1 of 1