

## CTCDR63BF Series

From 10  $\mu\text{H}$  to 68  $\mu\text{H}$



### CHARACTERISTICS

- Description:** SMD shielded power inductor.
- Applications:** OA equipment, LCD televisions, PC notebooks, portable communication equipment, DC/DC converters.
- Operating Temperature:**  $-40^{\circ}\text{C}$  to  $+85^{\circ}\text{C}$
- Inductance Tolerance:**  $\pm 15\%$ ,  $\pm 20\%$
- Testing:** Inductance is tested on an HP4285A at 2.52MHz.
- Packaging:** Tape & Reel.
- Marking:** Marked with inductance code.
- Miscellaneous:** RoHS Compliant.
- Additional Information:** Additional electrical & physical information available upon request.
- Samples available. See website for ordering information.**

### SPECIFICATIONS

Part numbers indicate tolerance available.

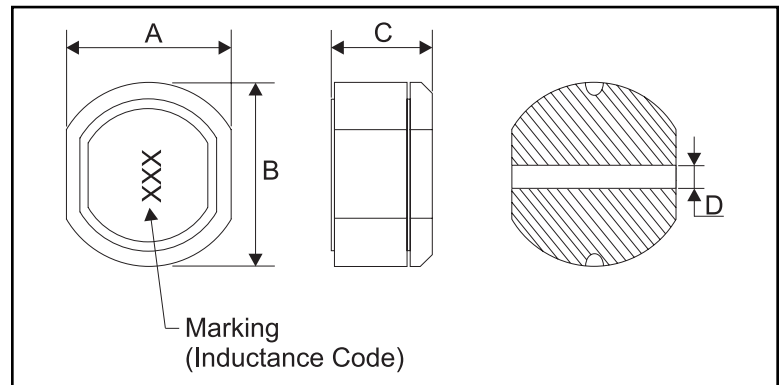
L =  $\pm 15\%$ , M =  $\pm 20\%$

\*Inductance drop = 10% typ. at IDC

Part Number	Inductance ( $\mu\text{H}$ )	L Test Freq. (MHz)	DCR Max. ( $\Omega$ )	IDC Max. (A)
CTCDR63BF-100M	10	2.52	0.14	1.00
CTCDR63BF-120M	12	2.52	0.16	0.94
CTCDR63BF-150M	15	2.52	0.18	0.86
CTCDR63BF-180M	18	2.52	0.25	0.78
CTCDR63BF-220M	22	2.52	0.32	0.76
CTCDR63BF-270M	27	2.52	0.36	0.64
CTCDR63BF-330L	33	2.52	0.41	0.61
CTCDR63BF-390L	39	2.52	0.47	0.53
CTCDR63BF-470L	47	2.52	0.51	0.50
CTCDR63BF-560L	56	2.52	0.72	0.46
CTCDR63BF-680L	68	2.52	0.82	0.42

### PHYSICAL DIMENSIONS

Size	A Max.	B Max.	C Max.	D Ref.
mm	5.9	6.5	3.5	1.45
inches	0.23	0.26	0.14	0.06



### PAD LAYOUT

