



# 2.75W Fixed Blade USB Charger – AU/NZ



## Features

- Fixed Blade
- Australian and New Zealand MEPS (Minimum Energy Performance Standards) Compliance
  - AS/NZS 4665.1:2005 + A1:2009
  - AS/NZS 4665.2:2005 + A1:2009
- Low Cost
- No Y Caps
- 3,048M Operating Altitude
- The charging scheme: Data Lines (Pins 2 and 3) Shorted

## Applications

- Portable Electronics
- Personal Electronics

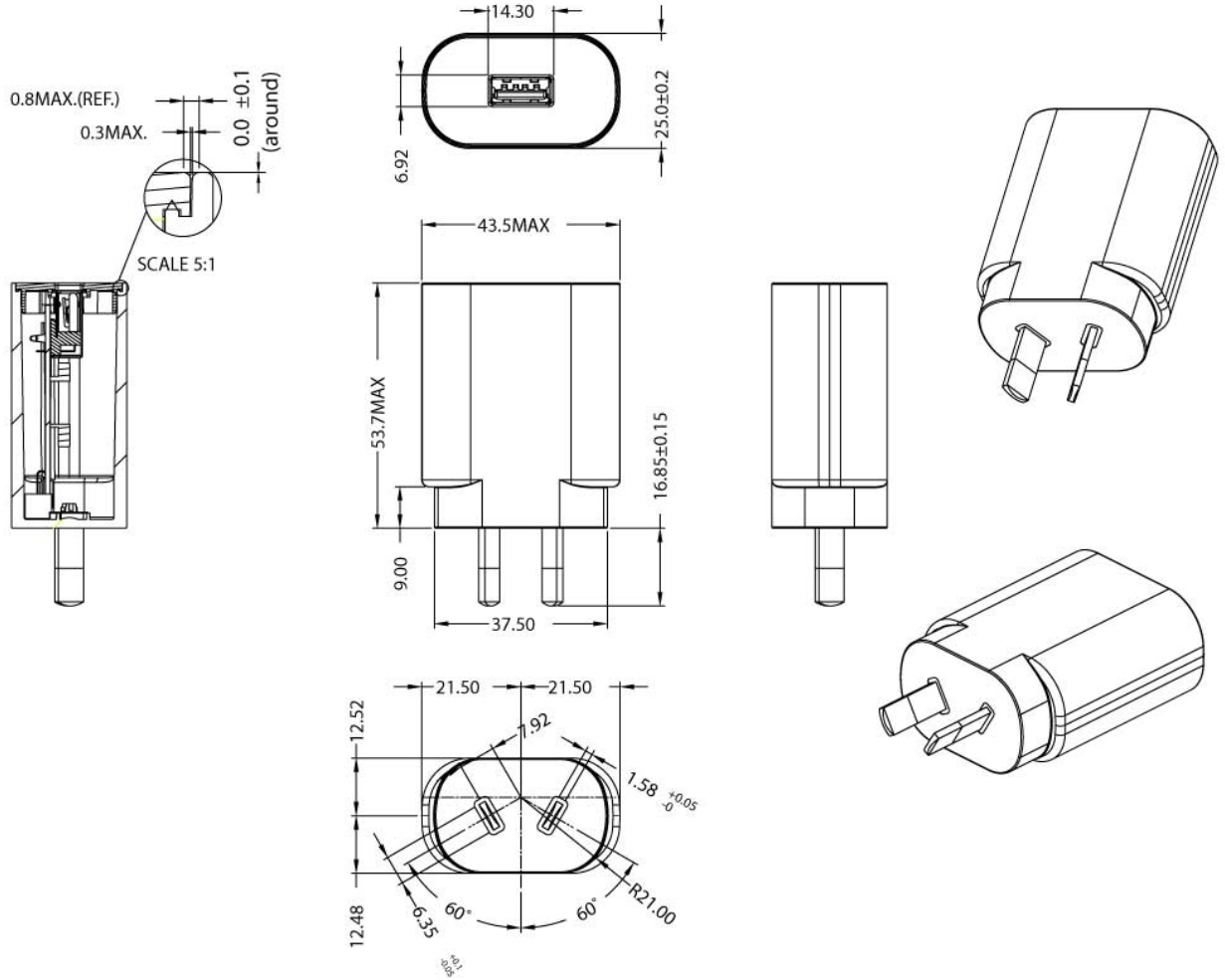


# AQ03S Specifications<sup>1</sup>

Model		AQ03S-050A-R	AQ03S-050AW-R <sup>2</sup>
Output	DC Output Voltage	5.0V	
	Max Current	0.55A	
	Output Power	2.75W	
	Regulation	± 5%	
	Ripple & Noise P-P(max) <sup>3</sup>	150mV	
Input	AC Input Voltage Range	90 to 264VAC	
	AC Input Frequency	47 to 63Hz	
	Input Current	0.1A(RMS) max	
	No Load Power Consumption at 115VAC Input	0.018W	
	No Load Power Consumption at 230VAC Input	0.036W	
	115VAC Average Efficiency <sup>4</sup>	72.9%	
	230VAC Average Efficiency <sup>4</sup>	70.7%	
	Leakage Current	20uA max @264VAC/63Hz	
Protection	Over-Voltage	7.5V max	
	Short Circuit	The output can be shorted without damage	
Environmental	Operating Temperature	0°C to +40°C	
	Non-Operating Temperature	-25° to +75°C	
	Operating Humidity	10% to 90% RH max	
Safety Approvals and EMC	Dielectric Withstand (HI-POT)	Primary to Secondary: 3000VAC for 1min, 10mA	
	Insulation Resistance	Primary to Secondary: >7M ohm for 500VDC	
	Standards	AS/NZS 62368.1:2018 AS/NZS 3112:2017	
	EMI Emissions	AS/NZS CISPR 32:2015: Class B Conducted & Radiated	
	Harmonic Current Emissions	IEC 61000-3-2	
	Voltage Fluctuations & Flicker	IEC 61000-3-3	
	Immunity	EN 55024/CISPR 24, EN 55035/CISPR 35: IEC 61000-4-2(Contact: ±8KV, Air: ±15KV), IEC 61000-4-3, IEC 61000-4-4, IEC 61000-4-5 (±2kV), IEC 61000-4-6, IEC 61000-4-8, IEC 61000-4-11	
Mechanical	Dimensions (L x W x H)	70.6mm (2.78in) x 43.5mm (1.71in) x 25.0mm (0.98in)	
	Weight	36g	
	DC Output Connector	USB-A, D+/D- shorted	
	Case Color	Black	White
Notes	<ol style="list-style-type: none"> <li>1. The specifications defined are at ambient temperature of 25C, unless otherwise specified.</li> <li>2. Special Order. Minimum order quantity applies.</li> <li>3. 20MHz bandwidth frequency oscilloscope, add a 0.1µF multilayer Cap. and Low ESR Electrolytic Cap. (10µF) at output connector terminals (nominal line voltage, full load).</li> <li>4. Efficiency is measured after 30 minutes burn-in.</li> </ol>		



# AQ03S Outline Drawing





# USB Cables – Sold Separately

## Unit: mm

Part no: IP-USB1(C10)S	Desc: USB-A to Micro-B – 1 Meter – Black
Part no: IPUSB1CS	Desc: USB to Mini-B – 1.5 Meter – Black
Part no: IPUSB1MS	Desc: USB-A to Micro-B – 1.5 Meter – Black
Part no: IPUSB1M5LD	Desc: USB-A to Micro-B – 24AWG – Low Drop – 1.5 Meter – Black
Part no: IPUSB1P5	Desc: USB-A to Micro-B – 1 Meter – 24AWG – Black
Part no: IPUSB1P5W	Desc: USB-A to Micro-B – 1 Meter – 24AWG – White

Part no: IPUSB1MSW	Desc: USB-A to Micro-B – 1.5 Meter – White
Part no: UES-1001A160	Desc: Low Drop Type-C USB Cable – 1 Meter – 23AWG on Power – 30AWG on Data - Black
Part no: UES-1003A160	Desc: Low Drop Type-C USB Cable - 1 Meter – 23AWG on Power – 30AWG on Data - White