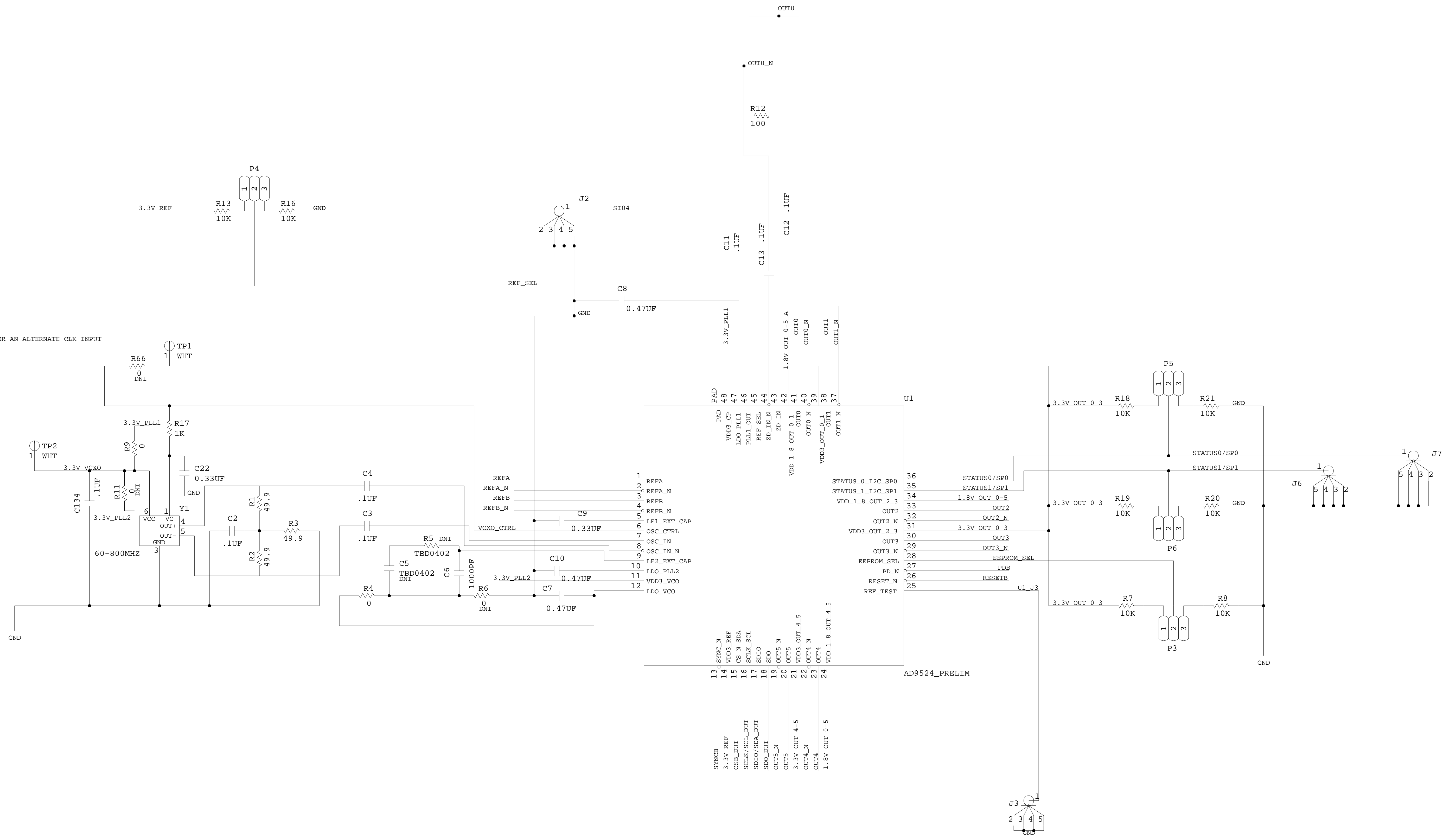


| REVISIONS | | | |
|-----------|-------------|------|----------|
| REV | DESCRIPTION | DATE | APPROVED |
| | | | |



THIS SMA WILL SERVE AS DUAL USE FOR AN ALTERNATE CLK INPUT

| | | | |
|---|---|-------------------------|---------------|
| <p>ANALOG DEVICES</p> <small>THIS DRAWING IS THE PROPERTY OF ANALOG DEVICES INC. IT IS TO BE USED TO BE REPRODUCED OR COPIED, IN WHOLE OR IN PART, OR USED IN PROMOTIONAL INFORMATION TO OTHERS, OR FOR ANY OTHER PURPOSE DETRIMENTAL TO THE INTERESTS OF ANALOG DEVICES. THE EQUIPMENT DESIGN HEREON MAY BE PROTECTED BY PATENTS OWNED OR CONTROLLED BY ANALOG DEVICES INC.</small> | SCHEMATIC | | |
| | SCHEMATIC AD9524 ENGINEERING EVALUATION | | |
| | DESIGN VIEW 07/22/2009 | DRAWING NO. 9524EE01 | REV C |
| | PTD ENGINEER RH | SIZE D | SCALE NONE |

SHEET 1 OF 5

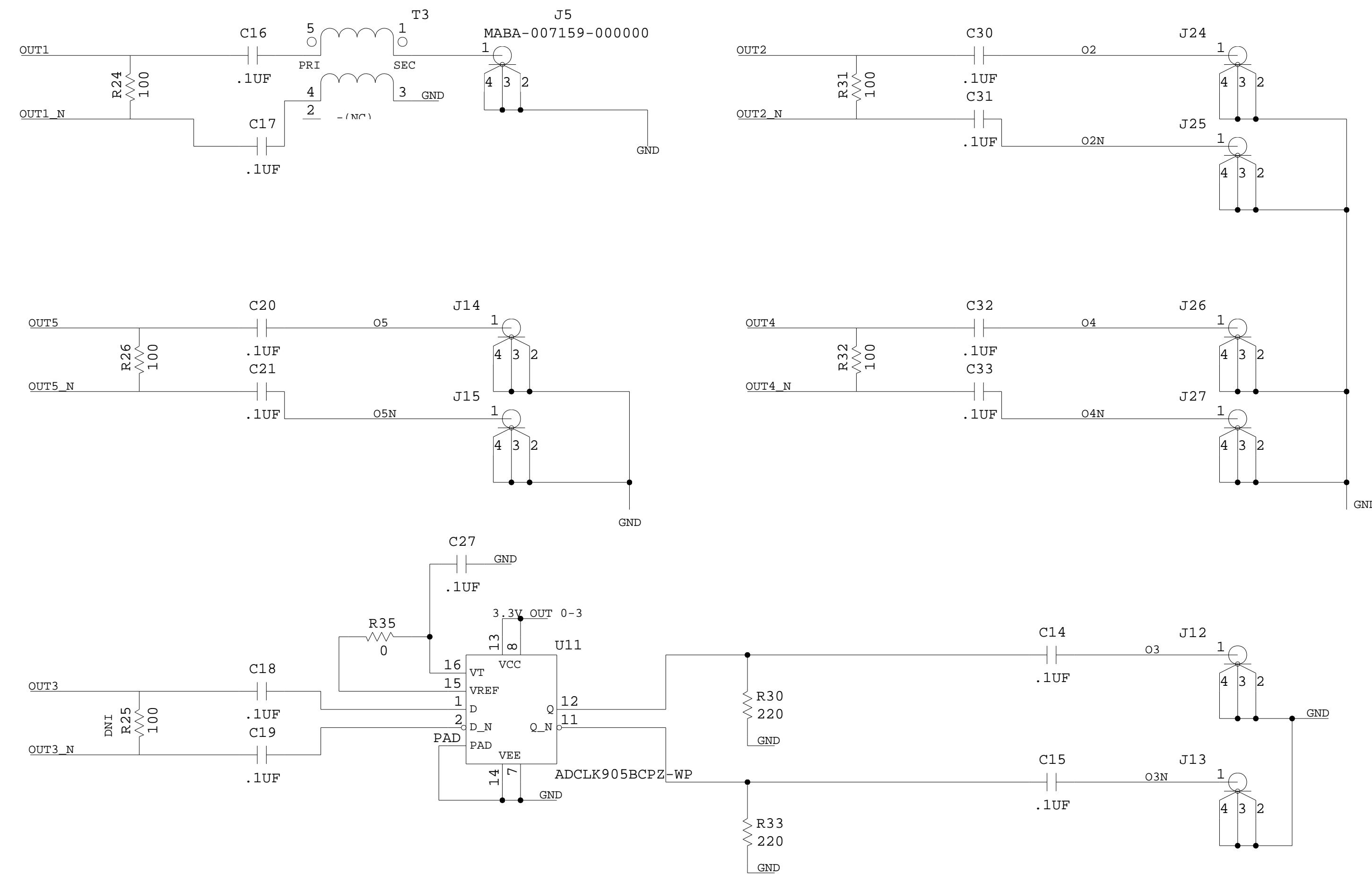
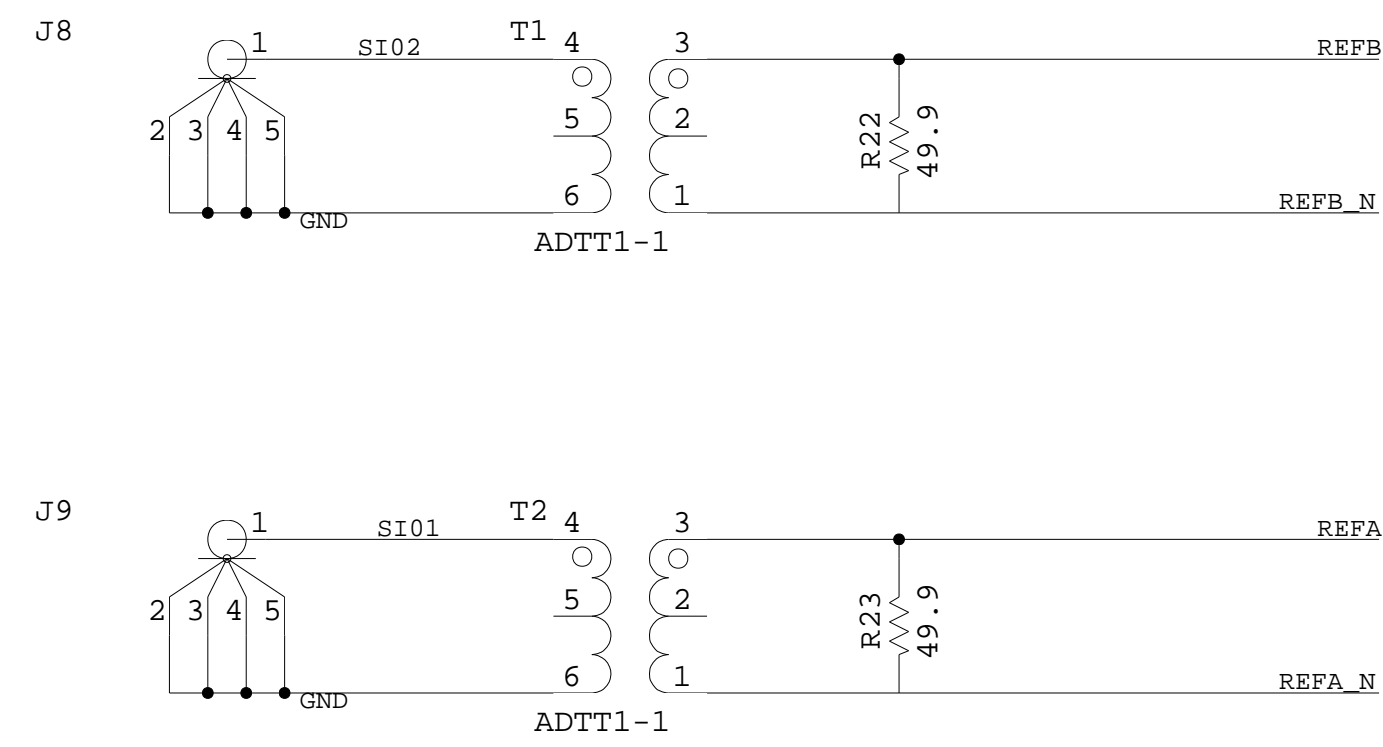
| REVISIONS | | | |
|-----------|-------------|------|----------|
| REV | DESCRIPTION | DATE | APPROVED |
| | | | |

REFERENCE INPUTS

OUTPUT TERMINATIONS

PLACE TERMINATIONS CLOSE TO DUT

ROUTE AS 50OHM SINGLE ENDED TRACES

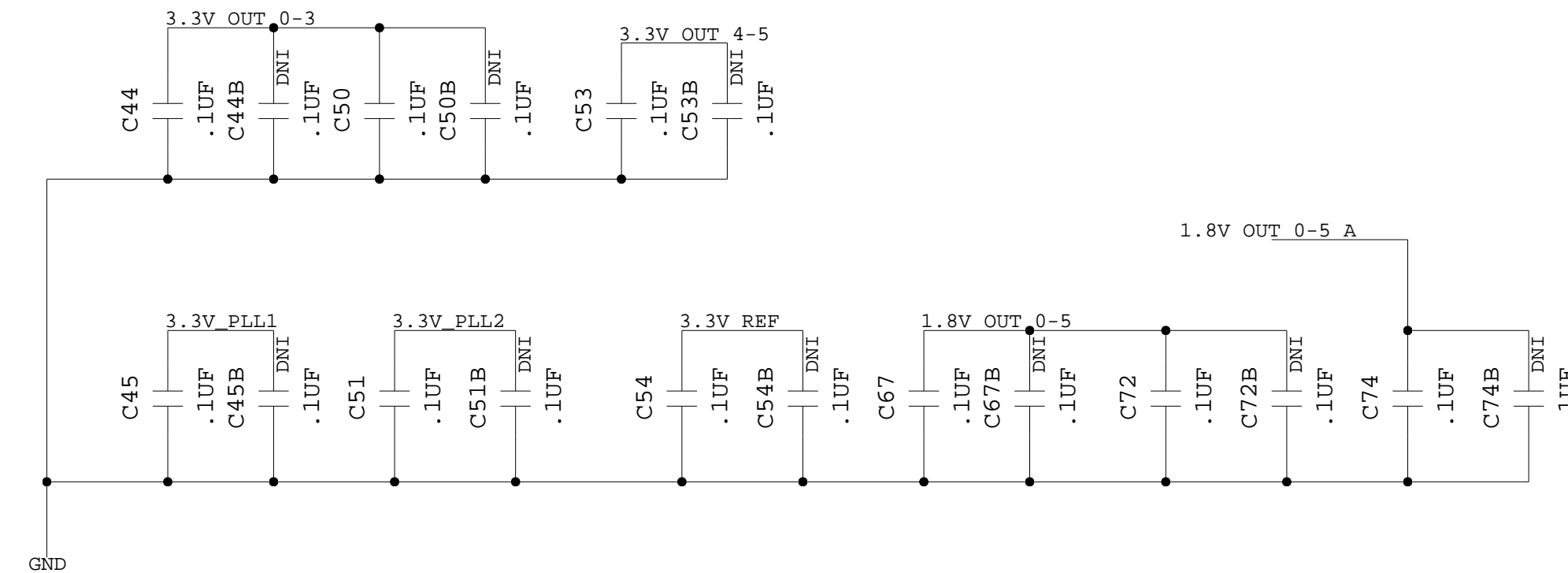


| | | | |
|--|---|-------------------------|---------------|
| | SCHEMATIC | | |
| | SCHEMATIC AD9524 ENGINEERING EVALUATION | | |
| | DESIGN VIEW 07/22/2009 | DRAWING NO. 9524EE01 | REV C |
| | PTD ENGINEER RH | SIZE D | SCALE NONE |
| | | SHEET 2 OF 5 | |

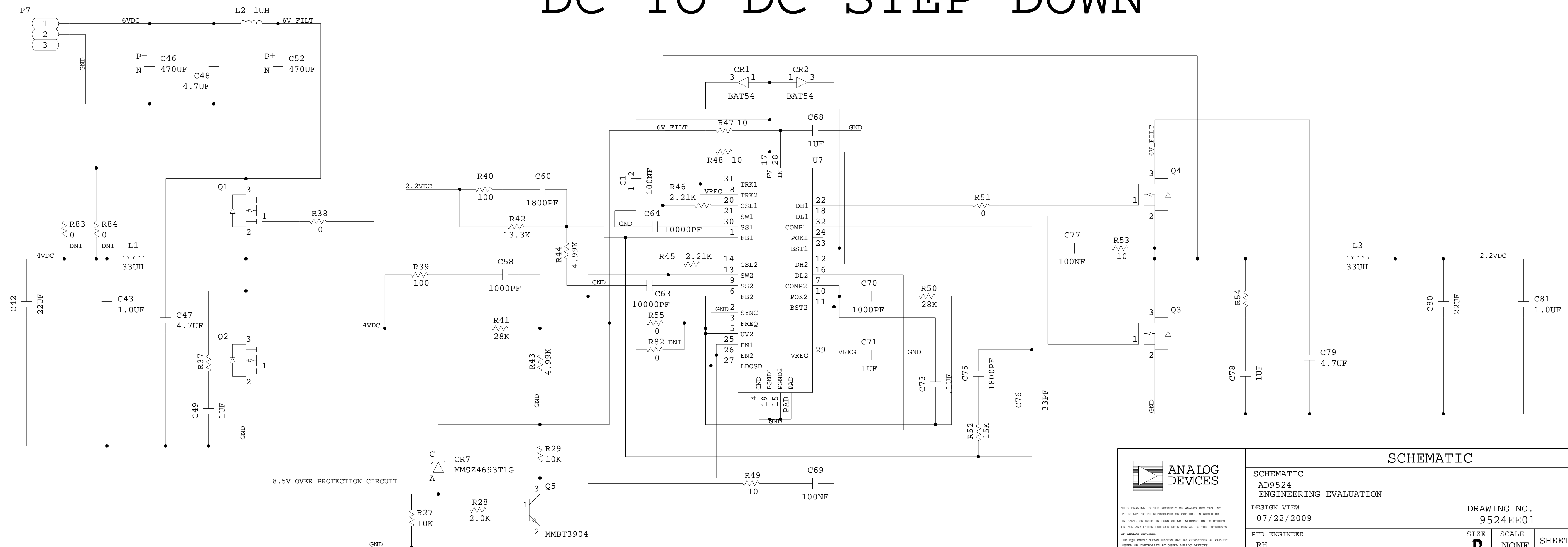
| REVISIONS | | | |
|-----------|-------------|------|----------|
| REV | DESCRIPTION | DATE | APPROVED |
| | | | |

BYPASS CAPACITORS

(FOR ONLY THE 9523)



DC TO DC STEP DOWN



| | | | |
|--|---|-------------------------|---------------|
| | SCHEMATIC | | |
| | SCHEMATIC AD9524 ENGINEERING EVALUATION | | |
| | DESIGN VIEW 07/22/2009 | DRAWING NO. 9524EE01 | REV C |
| | PTD ENGINEER RH | SIZE D | SCALE NONE |
| | | SHEET 3 OF 5 | |

8

7

6

5

4

3

2

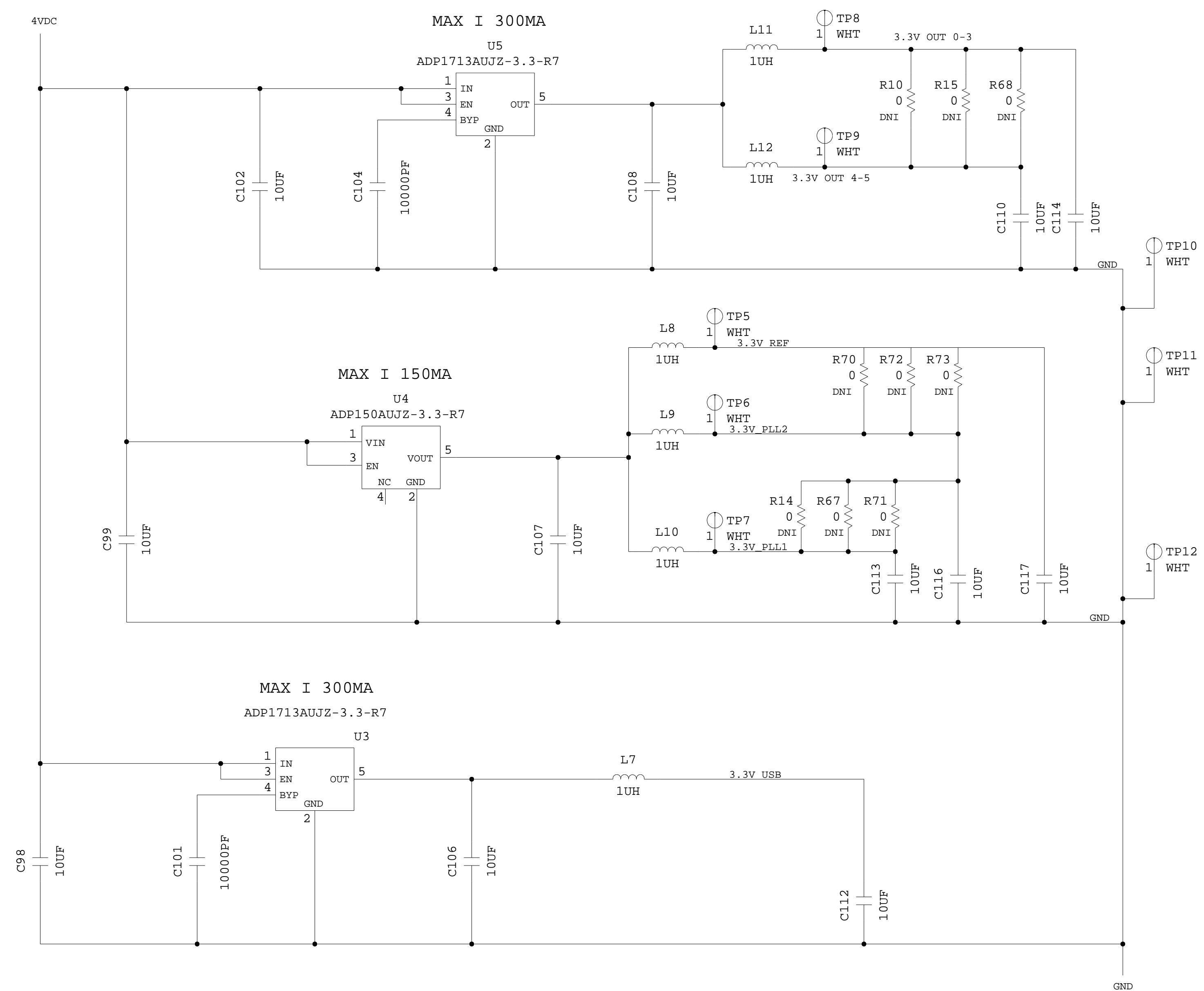
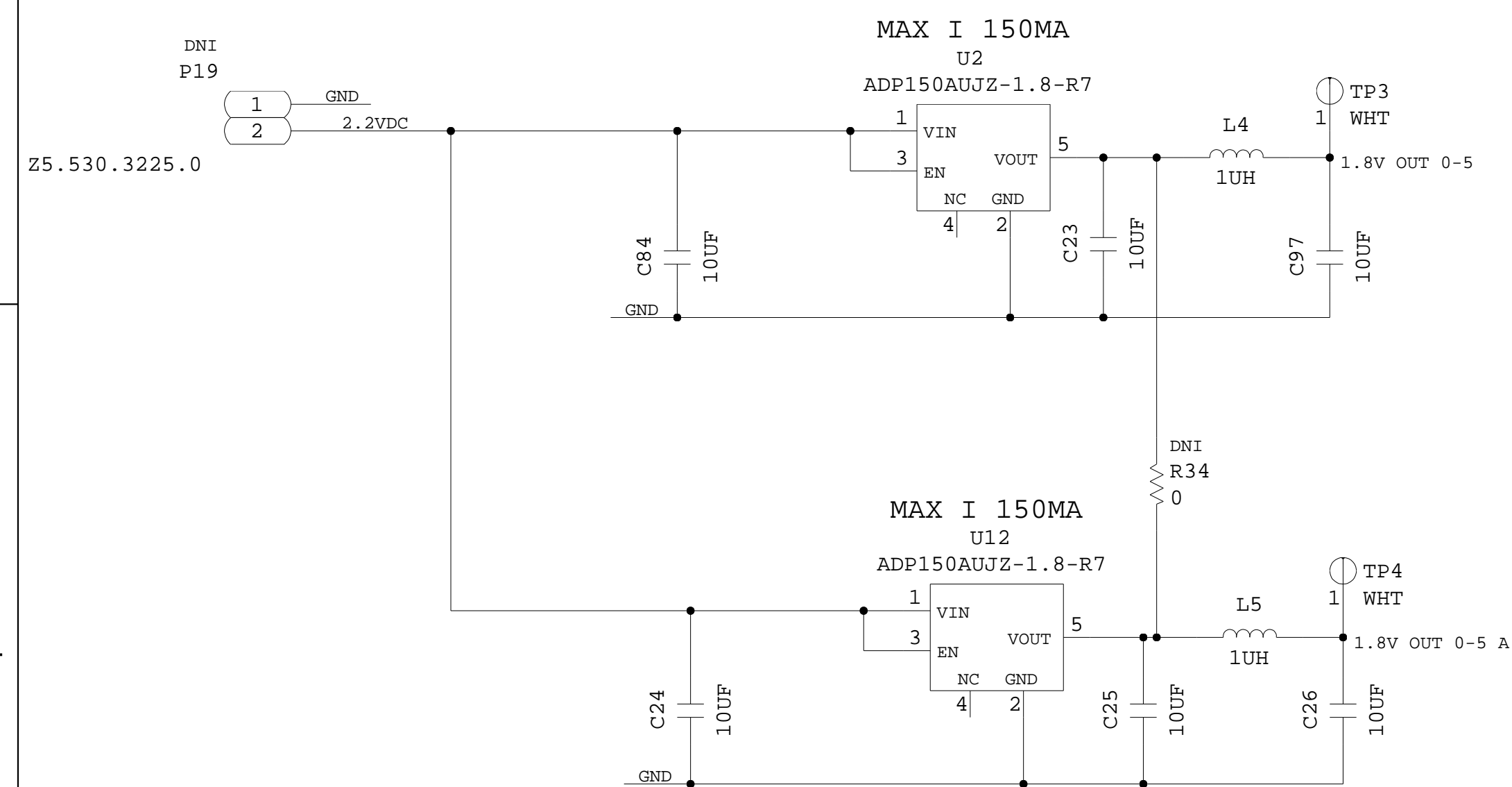
1

| REVISIONS | | | |
|-----------|-------------|------|----------|
| REV | DESCRIPTION | DATE | APPROVED |
| | | | |

POWER TERMINALS

3.3V REGULATORS

1.8V REGULATOR



| | | | |
|--------------|---|-------------------------|---------------|
| | SCHMATIC | | |
| | SCHEMATIC AD9524 ENGINEERING EVALUATION | | |
| | DESIGN VIEW 07/22/2009 | DRAWING NO. 9524EE01 | REV C |
| | PTD ENGINEER RH | SIZE D | SCALE NONE |
| SHEET 4 OF 5 | | | |

8

7

6

5

4

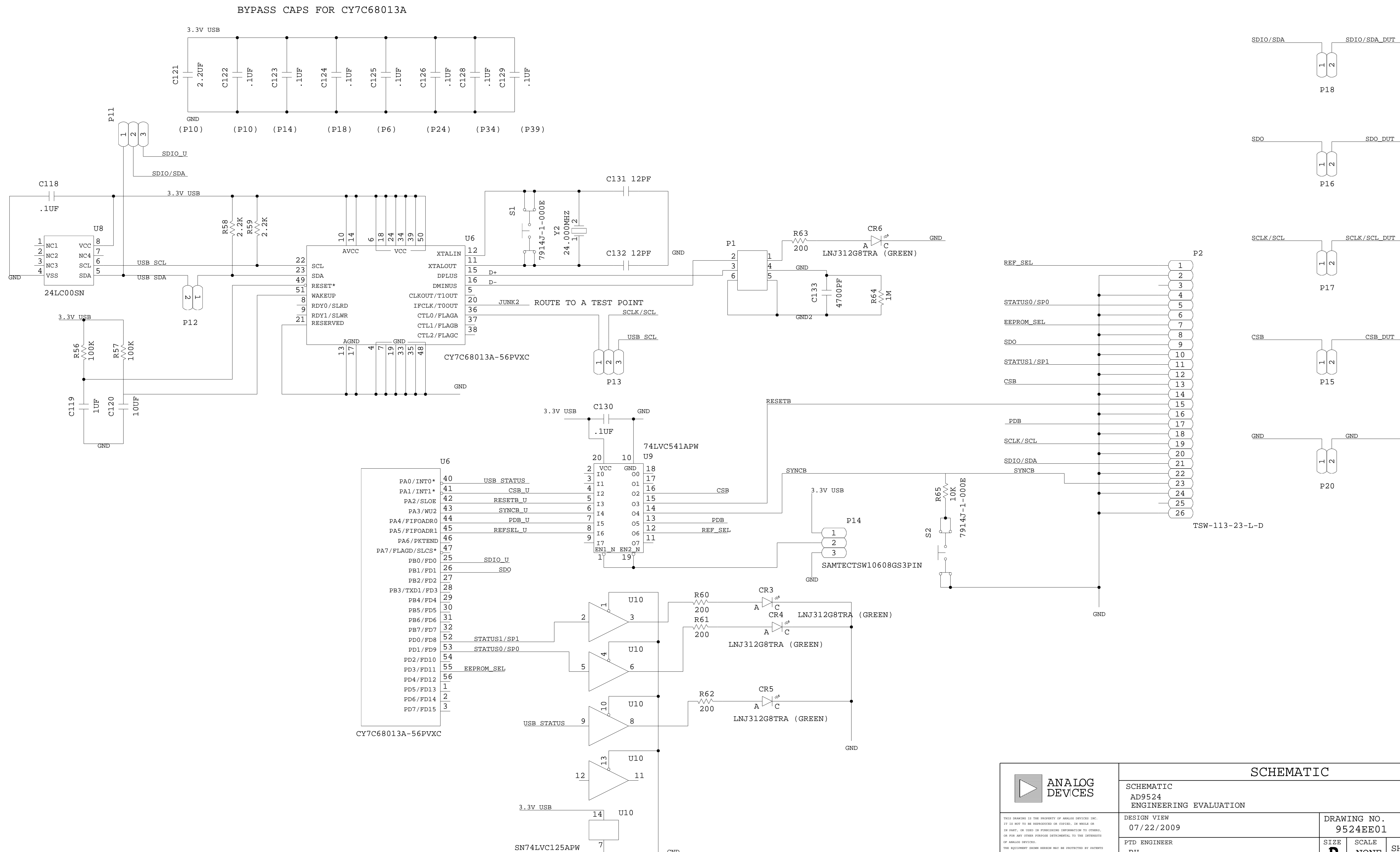
3

2

1

USB INTERFACE

| REVISIONS | | | |
|-----------|-------------|------|----------|
| REV | DESCRIPTION | DATE | APPROVED |
| | | | |



| | | | |
|--|---|-------------------------|---------------|
| | SCHEMATIC | | |
| | SCHEMATIC AD9524 ENGINEERING EVALUATION | | |
| | DESIGN VIEW 07/22/2009 | DRAWING NO. 9524EE01 | REV C |
| | PTD ENGINEER RH | SIZE D | SCALE NONE |

THIS DRAWING IS THE PROPERTY OF ANALOG DEVICES INC. IT IS TO BE USED FOR THE PURPOSES SPECIFIED IN THE TITLE OR IN THE PART OR FOR ANY OTHER PURPOSES DETERMINED BY THE INTERESTS OF ANALOG DEVICES. THE EQUIPMENT DESIGN HEREON MAY BE PROTECTED BY PATENTS OWNED OR CONTROLLED BY ANALOG DEVICES INC.