

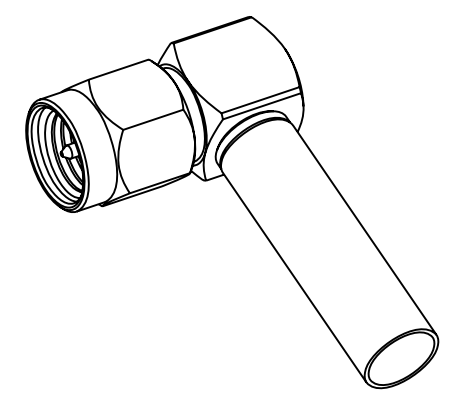
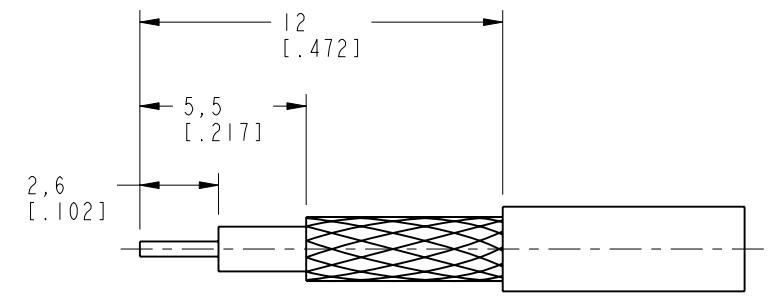
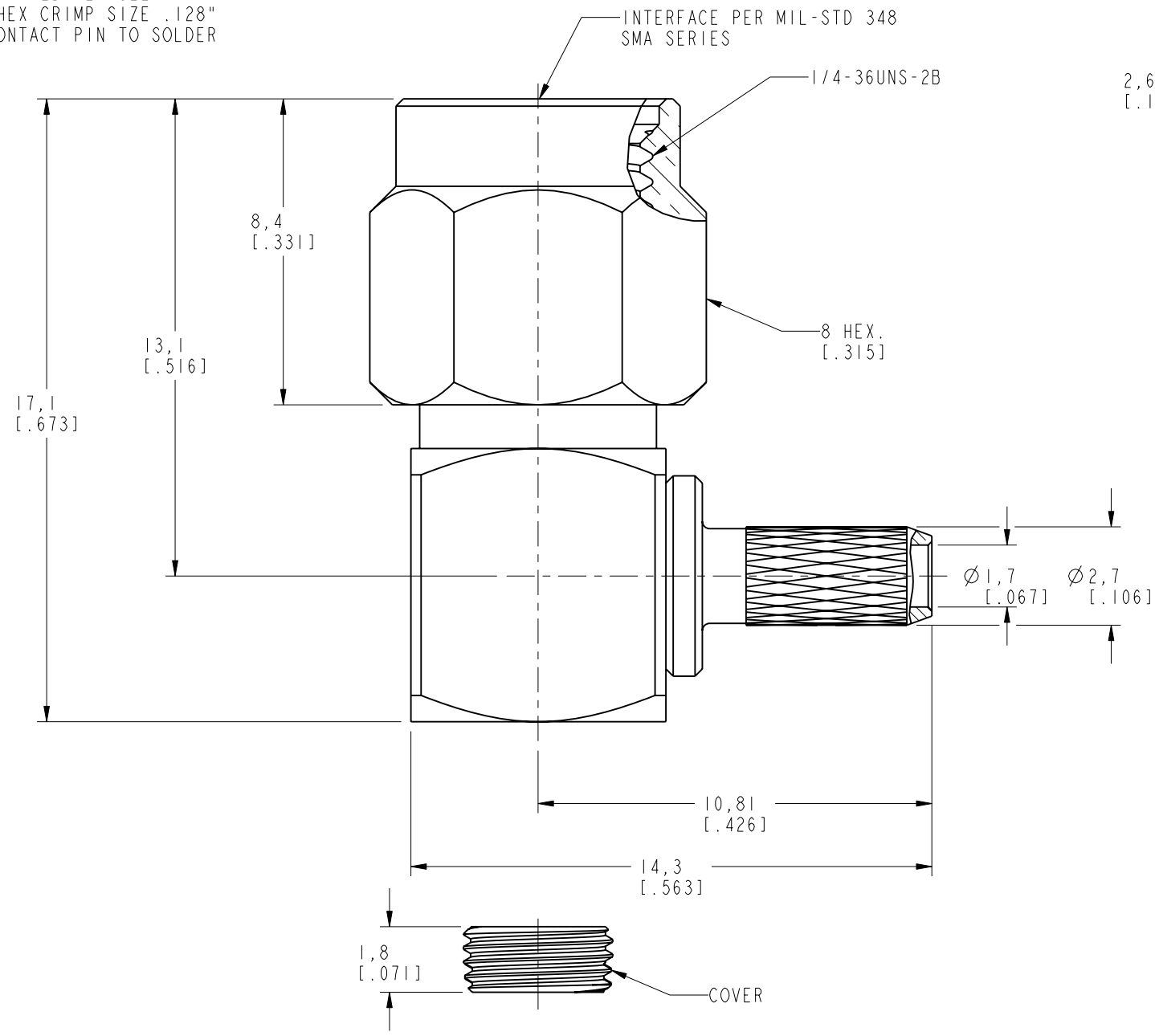
NOTES:

1. MATERIAL AND FINISH (PLATING THICKNESS IN MICRO-INCHES):
 SHELL, HOUSING, FERRULE, COVER - BRASS, GOLD PLATING
 CONTACT PIN- BRASS, GOLD PLATING
 INSULATOR - PTFE, NATURAL
 GASKET - SILICON RUBBER, RED
 HEAT SHRINK TUBING
2. ELECTRICAL:
 A. IMPEDANCE: 50 OHM
 B. FREQUENCY RANGE: DC-6 GHz
 C. DIELECTRIC WITHSTANDING VOLTAGE: 750 VRMS. MIN.
3. MECHANICAL:
 A. DURABILITY: 500 CYCLES MIN.
 B. TEMPERATURE RANGE: -65°C TO +165°C
4. CRIMPED FERRULE
 HEX CRIMP SIZE .128"
 CONTACT PIN TO SOLDER

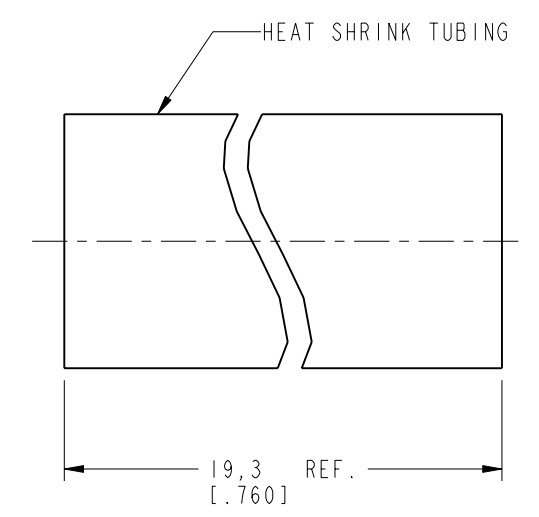
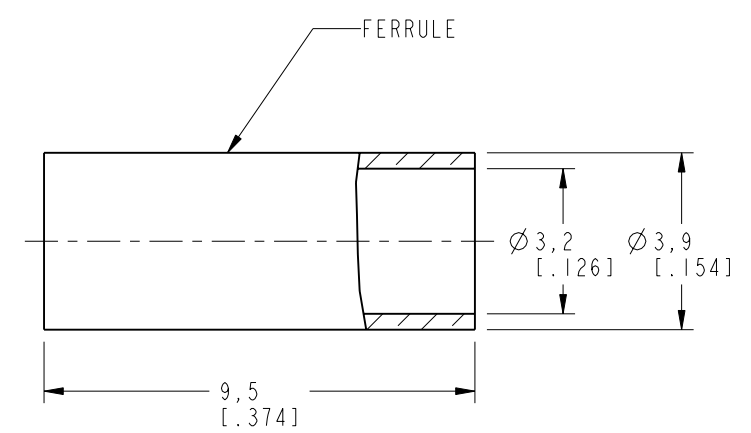
THIRD ANGLE PROJ.

REVISIONS

REV	DESCRIPTION	DATE	ECN	APPR
A	OFFICIAL ENG. RELEASE TO MFG	4/7/95	40349	PB/RAV
B	REDRAWN ON AUTO-CAD, ALL NOTES REWITTEN & UPDATED	8/28/96	41519	CPM/BG
C	KAI JACK # WAS SMA1112A3-B/10GT50G-316U-50	12/17/98	41519	CPM
D	UPDATE KJ MATERIALS AND PN	8-21-02	44182	CPM
E	SYNC. THE DRAWING, REDRAWN IN CREO	12-Dec-12	09924	KS



SCALE 2.000



CUSTOMER OUTLINE DRAWING

ALL OTHER SHEETS ARE FOR INTERNAL USE ONLY
 SCALE 6.000

UNLESS OTHERWISE SPECIFIED, DIMENSIONS ARE IN METRIC AND TOLERANCES ARE: <0.5mm ±0.05mm 0.5 - 6mm ±0.1mm 6 - 30mm ±0.2mm 30 - 120mm ±0.3mm ANGLES ±1°	MATERIAL	DRAWN	DATE	TITLE	Amphenol RF www.amphenolrf.com
	SEE NOTES	K. SONG	12-Dec-18	SMA R/A CRIMP PLUG (FOR RG-174/U, 188A/U, 316/U)	
NOTICE - These drawings, specifications, or other data (1) are, and remain the property of Amphenol corp. (2) must be returned upon request; and (3) are confidential and not to be disclosed to any person other than those to whom they are given by Amphenol Corp. the furnishing of these drawings, specifications, or other data by Amphenol Corp., or to any other person to anyone for any purpose is not to be regarded by implication or otherwise in any manner licensing, granting rights to permitting such holder or any other person to manufacture, use or sell any product, process or design, patented or otherwise, that may in any way be related to or disclosed by said drawings, specifications, or other data.	REFERENCE	ENGINEER	DATE	SCALE: 6.0:1.0	DRAWING NO. SMA1112A3-3GT50G-316U-50 ITEM NO. 111112AAB36GA5F PART NO. 901-9872
	EAR# 111-964413/966277-0	RAV	3/31/95	SHEET 2 OF 2	
	REF:	APPROVED	DATE	DWG SIZE	
CONFIGURATION LEVEL: In Work	S. HSIEH	12-Dec-18	B	E	
FINISH		CAD FILE			