

LAYOUT SHOWN AS EXAMPLE

Keying Shown as example

**CHARACTERISTICS**

- Standard : Based on MIL-DTL-38999 Series III
- Shell Material : Aluminium
- Shell Plating : Nickel
- Insulator : Thermoplastic
- Contacts : Copper Alloy
- Seals & Grommet : Silicon Elastomer
- Contact Plating : Gold over copper Alloy 0.8µm minimum
- Durability : 500 Mating cycles
- Delivered with Souriau contacts and Accessories
- Temperature Range : -65°C to +200°C
- Salt Spray : 48 hours
- Mass : 66.83 g ± 10%

| Connector dimension |                 |
|---------------------|-----------------|
| Dim                 | Nominal         |
| A                   | 58.7±0.3        |
| B                   | 42.85+0.1/-0.15 |
| R                   | 32.5Max         |
| S                   | 55.6±0.4        |
| W                   | 3+0.9/-0.1      |
| VV THREAD           | M37x1-6g        |

SOURIAU shall not be liable for any non-conformity or damage due to a use of the Products which does not comply with the Specifications issued by either of the Parties or by a third party (professional recommendation, technical notice.)

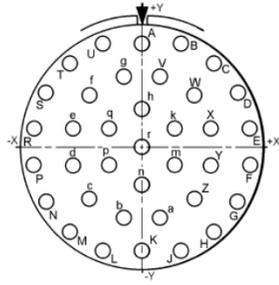
| Country | Jurisdiction & Control List |
|---------|-----------------------------|
| FR      | Not Listed                  |

**PN: 8D725F37AN**

|              |   |                                |   |
|--------------|---|--------------------------------|---|
| A            | 03-10-2016  | First Release                  |   |
| ISS          | DATE  | Latest modification - by       | MOD N°  |
| Designed By: |   | Date:                          | <b>CUSTOMER DRAWING</b>   |
| <b>TITLE</b> | <b>Aluminium Receptacle 8D series</b>                               |                                |   |
| SCALE        |   | General linear Tolerances: ±-- | NPRDS / PROJECT<br><b>859</b>   |
| NA           | <b>SOURIAU</b> <a href="http://WWW.SOURIAU.COM">WWW.SOURIAU.COM</a> |                                | This document is the property of SOURIAU it must not be reproduced or communicated without permission |
| FORMAT       | <b>A3</b>   |                                | <b>SOURIAU DRG N° 8D725F37AN-C</b>  |
|              |   |                                | SHEET<br>1/2  |

|                |                        |   |   |    |   |    |   |   |                                 |
|----------------|------------------------|---|---|----|---|----|---|---|---------------------------------|
| BASIC SERIES:  | 8D                     | 7 | - | 25 | F | 37 | A | N | ORIENTATION : N                 |
| SHELL TYPE :   | Jam nut Receptacle     |   |   |    |   |    |   |   | CONTACT TYPE : PIN(500 Matings) |
| CONTACT TYPE : | Standard Crimp Contact |   |   |    |   |    |   |   | CONTACT LAYOUT : 25-37          |
| SHELL SIZE :   | 25                     |   |   |    |   |    |   |   |                                 |
| PLATING :      | F = Nickel             |   |   |    |   |    |   |   |                                 |

Contact Layout

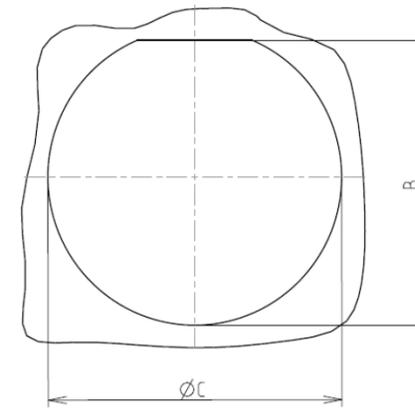


| Contacts<br>(Insert arrangement 25-37) |              |              |                     |             |             |
|--|--------------|--------------|---------------------|-------------|-------------|
| Contact position ID                    | Location     |              | Contact position ID | Location    |             |
|  | X-axis (mm)  | Y-axis (mm)  |                     | X-axis (mm) | Y-axis (mm) |
| A                                      | +000 (.00)   | +472 (11.99) | W                   | +242 (6.15) | +236 (5.99) |
| B                                      | +185 (4.70)  | +472 (11.99) | X                   | +326 (8.28) | +086 (2.18) |
| C                                      | +333 (8.46)  | +382 (9.70)  | Y                   | +326 (8.28) | -086 (2.18) |
| D                                      | +441 (11.20) | +249 (6.32)  | Z                   | +242 (6.15) | -236 (5.99) |
| E                                      | +500 (12.70) | +086 (2.18)  | a                   | +086 (2.18) | -320 (8.13) |
| F                                      | +500 (12.70) | -086 (2.18)  | b                   | -086 (2.18) | -320 (8.13) |
| G                                      | +441 (11.20) | -249 (6.32)  | c                   | -242 (6.15) | -236 (5.99) |
| H                                      | +333 (8.46)  | +382 (9.70)  | d                   | -326 (8.28) | -086 (2.18) |
| J                                      | +186 (4.72)  | -472 (11.99) | e                   | -326 (8.28) | +086 (2.18) |
| K                                      | +000 (.00)   | -472 (11.99) | f                   | -242 (6.15) | +236 (5.99) |
| L                                      | -186 (4.72)  | -472 (11.99) | g                   | -086 (2.18) | +320 (8.13) |
| M                                      | -333 (8.46)  | -382 (9.70)  | h                   | +000 (.00)  | +172 (4.37) |
| N                                      | -441 (11.20) | -249 (6.32)  | k                   | +154 (3.91) | +086 (2.18) |
| P                                      | -500 (12.70) | -086 (2.18)  | m                   | +154 (3.91) | -086 (2.18) |
| R                                      | -500 (12.70) | +086 (2.18)  | n                   | +000 (.00)  | -172 (4.37) |
| S                                      | -441 (11.20) | +249 (6.32)  | p                   | -154 (3.91) | -086 (2.18) |
| T                                      | -333 (8.46)  | +382 (9.70)  | q                   | -154 (3.91) | +086 (2.18) |
| U                                      | -186 (4.72)  | +472 (11.99) | r                   | +000 (.00)  | +000 (.00)  |
| V                                      | +086 (2.18)  | +320 (8.13)  | ---                 | ---         | ---         |

| Shell size | Arrangement no. | Number of contacts | Size contacts | Service rating | Contact location | Supersedes |
|------------|-----------------|--------------------|---------------|----------------|------------------|------------|
| 25         | -37             | 37                 | 16            | II             | All              | ---        |

Panel cutout

JAM NUT RECEPTACLE (TYPE 7)



| Dim | Nominal       |
|-----|---------------|
| B   | 43.43+0/-0.25 |
| ØC  | 44.7+0.25/-0  |

SOURIAU shall not be liable for any non-conformity or damage due to a use of the Products which does not comply with the Specifications issued by either of the Parties or by a third party (professional recommendation, technical notice.)

| Country | Jurisdiction & Control List |
|---------|-----------------------------|
| FR      | Not Listed                  |

PN: 8D725F37AN

|                |                                    |                                |   |
|----------------|------------------------------------|--------------------------------|---|
| A              | 03-10-2016                         | First Release                  |   |
| ISS            | DATE                               | Latest modification - by       | MOD N°  |
| Designed By:   |                                    | Date:                          | <b>CUSTOMER DRAWING</b>   |
| <b>TITLE</b>   | Aluminium Receptacle 8D series     |                                |   |
| SCALE          |                                    | General linear Tolerances: ±-- | NPRDS / PROJECT<br><b>859</b>   |
| <b>SOURIAU</b> | WWW.SOURIAU.COM                    |                                | This document is the property of SOURIAU it must not be reproduced or communicated without permission |
| FORMAT         | <b>SOURIAU DRG N° 8D725F37AN-C</b> |                                | SHEET<br>2/2  |