



LAYOUT SHOWN AS EXAMPLE

Keying Shown as example

CHARACTERISTICS

- Standard : Based on MIL-DTL-38999 Series III
- Shell Material : Stainless Steel
- Shell Plating : Nickel
- Insulator : Thermoplastic
- Contacts : Copper Alloy
- Seals & Grommet : Silicon Elastomer
- Contact Plating : Gold over copper Alloy 0.8µm minimum
- Durability : 500 Mating cycles
- Delivered with Souriau contacts and Accessories
- Temperature Range : -65°C to +200°C
- Salt Spray : 500 hours

| Connector dimension | |
|---------------------|----------------|
| Dim | Nominal |
| A | 52.4±0.3 |
| B | 36.5+0.1/-0.15 |
| R | 32.5Max |
| S | 49.2±0.4 |
| W | 3+0.9/-0.1 |
| VV THREAD | M31x1-6g |

SOURIAU shall not be liable for any non-conformity or damage due to a use of the Products which does not comply with the Specifications issued by either of the Parties or by a third party (professional recommendation, technical notice.)

| | |
|---------|-----------------------------|
| Country | Jurisdiction & Control List |
| FR | Not Listed |

PN: 8D721S41AA

| | | | |
|-----|------------|--------------------------|--------|
| A | 08-11-2016 | First Release | |
| ISS | DATE | Latest modification - by | MOD N° |

Designed By: _____ Date: _____ **CUSTOMER DRAWING**

| | | | |
|--------------|--------------------------------------|--|--|
| TITLE | Stainless Steel Receptacle 8D series | | |
|--------------|--------------------------------------|--|--|

| | | | |
|-------|--|----------------------------|-----------------|
| SCALE | | General linear Tolerances: | NPRDS / PROJECT |
| NA | | ±-- | 859 |

| | | |
|----------------|------------------------|--|
| SOURIAU | WWW.SOURIAU.COM | This document is the property of SOURIAU it must not be reproduced or communicated without permission |
|----------------|------------------------|--|

| | | |
|-----------|------------------------------------|-------|
| FORMAT | SOURIAU DRG N° 8D721S41AA-C | SHEET |
| A3 | | 1/2 |

| | | | | | | | | | |
|----------------|------------------------|---|---|----|---|----|---|---|---------------------------------|
| BASIC SERIES: | 8D | 7 | - | 21 | S | 41 | A | A | ORIENTATION : A |
| SHELL TYPE : | Jam nut Receptacle | | | | | | | | CONTACT TYPE : PIN(500 Matings) |
| CONTACT TYPE : | Standard Crimp Contact | | | | | | | | CONTACT LAYOUT : 21-41 |
| SHELL SIZE : | 21 | | | | | | | | |
| PLATING : | S = Nickel | | | | | | | | |

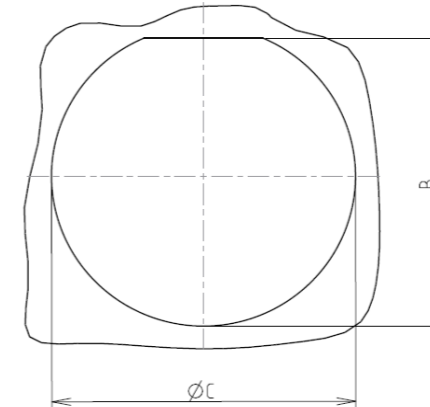
Contact Layout



| Insert arrangement 21-41 | | | | | | |
|--------------------------|-----------------|--------------------|---------------|----------------|------------------|------------|
| Shell size | Arrangement no. | Number of contacts | Size contacts | Service rating | Contact location | Supersedes |
| 21 | -41 | 41 | 20 | I | All | MS20055-41 |

Panel cutout

JAM NUT RECEPTACLE (TYPE 7)



Max. thickness panel for receptacle: Type 7: 3.2 mm

| Dim | Nominal |
|-----|---------------|
| B | 37.08+0/-0.25 |
| ØC | 38.35+0.25/-0 |

SOURIAU shall not be liable for any non-conformity or damage due to a use of the Products which does not comply with the Specifications issued by either of the Parties or by a third party (professional recommendation, technical notice.)

| Country | Jurisdiction & Control List |
|---------|-----------------------------|
| FR | Not Listed |

PN: 8D721S41AA

| | | | |
|----------------|---|----------------------------|---|
| A | 08-11-2016 | First Release | |
| ISS | DATE | Latest modification - by | MOD N° |
| Designed By: | | Date: | CUSTOMER DRAWING |
| TITLE | Stainless Steel Receptacle 8D series | | |
| SCALE | | General linear Tolerances: | NPRDS / PROJECT |
| NA | | ±-- | 859 |
| SOURIAU | WWW.SOURIAU.COM | | This document is the property of SOURIAU it must not be reproduced or communicated without permission |
| FORMAT | SOURIAU DRG N° 8D721S41AA-C | | SHEET 2/2 |