

CUSTOMER PRINT

PART NUMBER: 6382-XSG-5XX

NOTES:

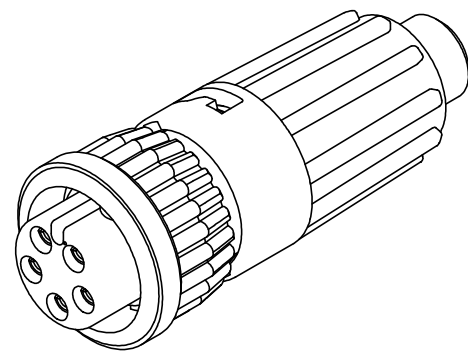
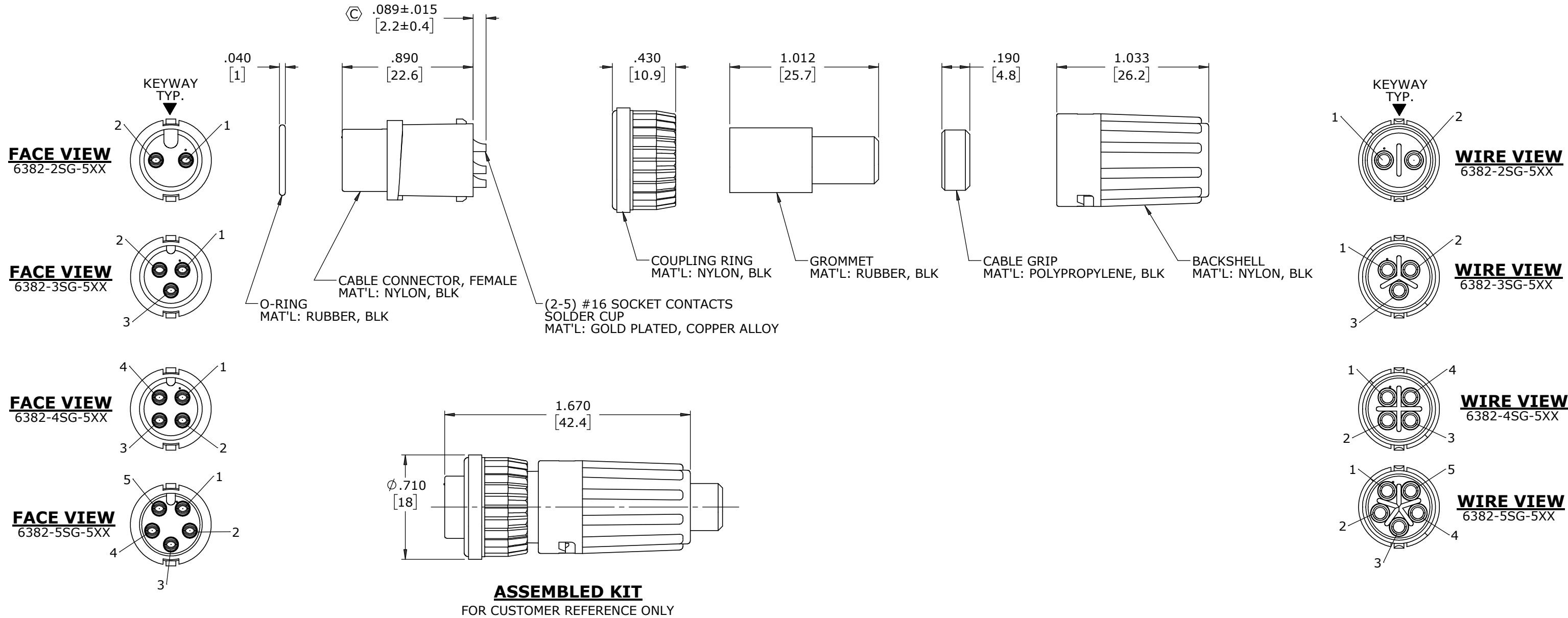
1. ALL PARTS TO BE BULK PACKED.
2. CONTACTS ARE ASSEMBLED INTO CONNECTOR
3. ALL DIMENSIONS ARE REFERENCE EXCEPT THOSE WITH A TOLERANCE

ASSY P/N	GROMMET SIZE
6382-XPG-513	.148 GROMMET I.D. FOR CABLE O.D. .13-.15 [3.3-3.8mm]
6382-XPG-516	.176 GROMMET I.D. FOR CABLE O.D. .16-.18 [4.1-4.6mm]
6382-XPG-519	.206 GROMMET I.D. FOR CABLE O.D. .19-.21 [4.8-5.3mm]
6382-XPG-522	.245 GROMMET I.D. FOR CABLE O.D. .22-.25 [5.6-6.3mm]
6382-XPG-526	.265 GROMMET I.D. FOR CABLE O.D. .25-.27 [6.3-6.8mm]
6382-XPG-528	.280 GROMMET I.D. FOR CABLE O.D. .26-.28 [6.6-7.1mm]

KIT P/N	NO. OF CONTACTS
6382-2SG-5XX	2 #16
6382-3SG-5XX	3 #16
6382-4SG-5XX	4 #16
6382-5SG-5XX	5 #16
6382-XSG-5XX	

GROMMET SIZE

NO. OF CONTACTS



DIMENSIONS IS BRACKETS [] ARE METRIC

CUSTOMER APPROVAL

THIS DOCUMENT CONTAINS CONFIDENTIAL INFORMATION PROPRIETARY TO CONXALL CORPORATION. ANY REPRODUCTION, DISCLOSURE, OR USE OF THIS DOCUMENT /INFORMATION IS EXPRESSLY PROHIBITED UNLESS AUTHORIZED IN WRITING BY CONXALL CORPORATION.

APPROVED BY: _____

DATE: _____

C	MA	02-15-21	CONTACT HEIGHT WAS .088, REMOVED GROMMET SIZE INFO FROM PIECE PART PER ECR 9544
B	JD	09-12-17	UPDATED CABLE GROMMET PER ECR 9065 UPDATED PIN HEIGHT DIM. FROM .68 +/- .015 PER ECR 8178
A	AN	02-22-10	DRAWING CREATED PER DOR 10-E149SL
REV.	INIT.	DATE	DESCRIPTION
	AN	02-22-10	ALL INFORMATION ILLUSTRATED IS THE PROPERTY OF "CONXALL CORPORATION". UNAUTHORIZED DUPLICATION OR DISTRIBUTION OF THIS DOCUMENT IS PROHIBITED.
APPROVED BY:			<p>601 E. WILDWOOD VILLA PARK, IL 60181</p>
SCALE	SIZE	SHEET	
NTS	B	1 OF 1	TITLE: CABLE CONNECTOR KIT (2-5) #16 SKT. CONTACTS (SOLDER CUP) MINI-CON-X
FILE:	DIRECTORY:	PART NUMBER:	CUSTOMER: STANDARD PRODUCT
6382-XSG-5XX	SLW	6382-XSG-5XX	REV C

RoHS COMPLIANT