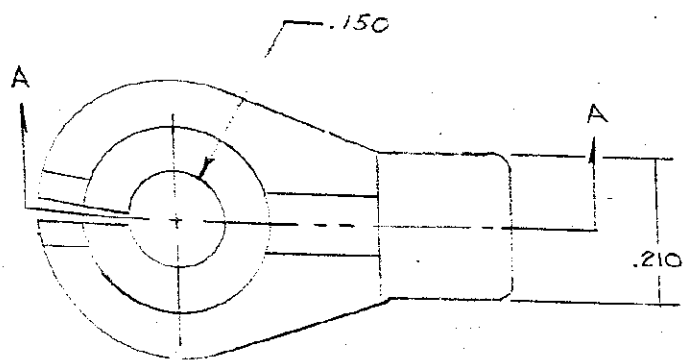
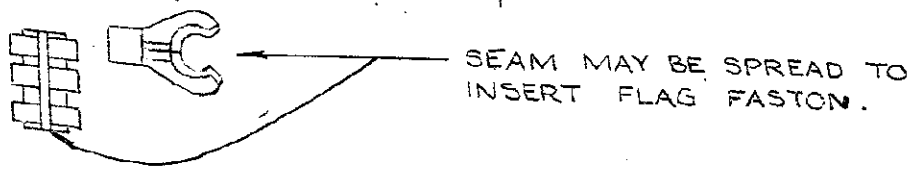
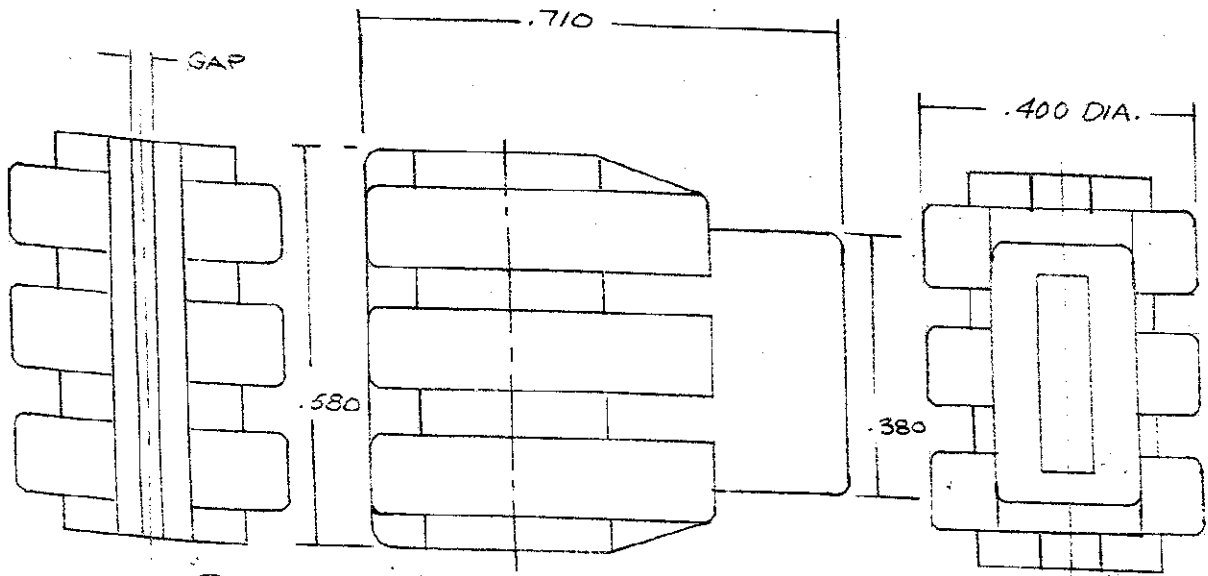
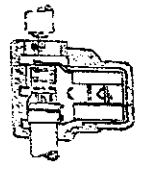


NUMBER 480019



HOUSING NO.	COLOR
480019-6	BLUE



SEC-A-A ACTUAL SIZE

**CUSTOMER DRAWING**

MATERIAL SEMI-RIGID VINYL				©1931 BY AMP INCORPORATED. ALL RIGHTS RESERVED. AMP PRODUCTS COVERED BY PATENTS AND/OR PATENTS PENDING.			
FINISH				AMP INCORPORATED HARRISBURG, PENNA.			
WIRE SIZE		INSULATION DIA		TOLERANCE EXCEPT AS NOTED		SCALE	
				± .015		4-1	
NAME				LOC		NO	
INSULATING BOOT FOR FLAG FASTON				AFA		480019	
REVISION RECORD		ECA		DR		DATE	
G REVISED		A 1180		DR		DATE	
F REVISION		DATE		CHK		DATE	
LTR		DATE		CHK		DATE	
DR		DATE		CHK		DATE	
CHK		DATE		CHK		DATE	

DIMENSIONS IN INCHES. DO NOT SCALE PRINT