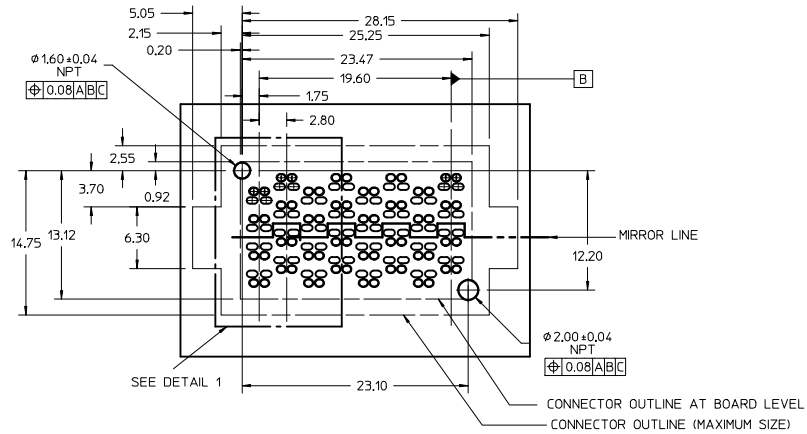


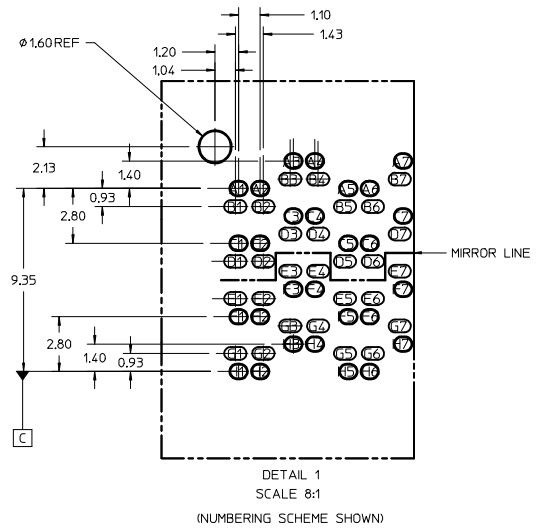
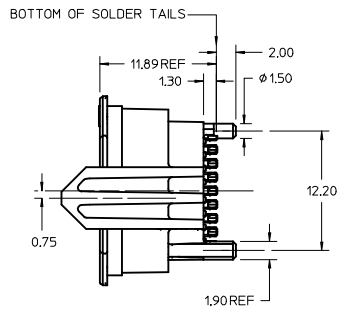
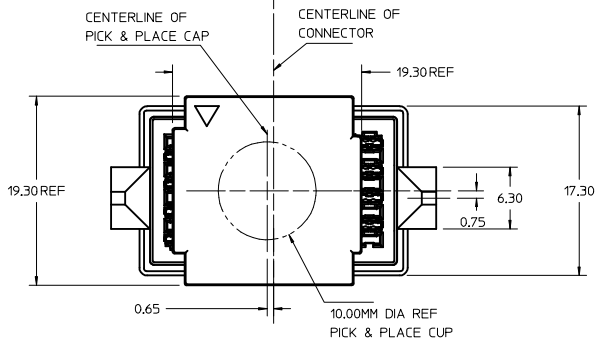
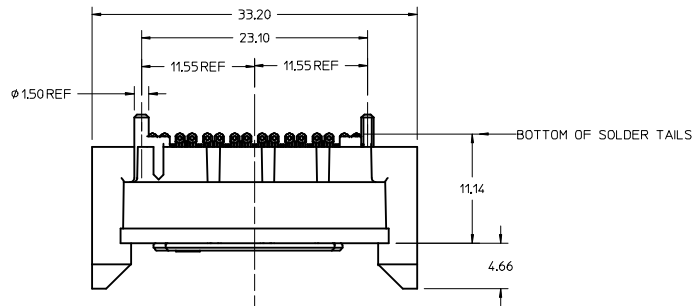
NOTES:

- HOUSING MATERIAL: LCP, GLASS FILLED, UL 94V-0, BLACK  
CONTACT MATERIAL: HIGH PERFORMANCE COPPER ALLOY  
SOLDER CHARGE: LEAD FREE SOLDER ALLOY
- FINISH:  
CONTACTS: SELECT GOLD: 30 HNCES MIN ON CONTACT AREA,  
AND 100H INCHES MIN TIN ON SOLDERABLE PORTION  
OF SOLDER TAILS, OVER 50 HNCES MIN NICKEL OVERALL.
- PRODUCT SPECIFICATION: PS-170807-0001
- PACKAGING SPECIFICATION: PK-170814-002
- APPLICATION SPECIFICATION: AS-170807-0001
- MATES TO THE 1708070037 PLUG.



FOOT PRINT NOTES:

- DATUM -A- IS THE TOP OF THE PCB.
- ALL DIMENSIONS ARE BASICS.
- ROW A AND C PADS (SIGNAL PADS) ARE COPPER DEFINED.
- ROW B AND D PADS (SHIELD PADS) ARE SOLDER MASK DEFINED.
- SEE APPLICATION SPECIFICATION FOR ADDITIONAL INFORMATION.



<b>UPDATE REVISION</b> IEC NO: UCP2016-1035 DRAWN BY: DRW:SKANG 2015/09/14 CHECKED BY: CHYD:JESSIECHUA 2015/09/30 APPR:SHONG 2015/09/30 REV DESCRIPTION	QUALITY SYMBOLS	GENERAL TOLERANCES (UNLESS SPECIFIED)	DIMENSION STYLE	SCALE	DESIGN UNITS	THIRD ANGLE PROJECTION
	∇=0 ∇=0 ∇=0	mm INCH 4 PLACES ± --- ± --- 3 PLACES ± --- ± --- 2 PLACES ± 0.15 ± --- 1 PLACE ± --- ± --- 0 PLACE ± --- ± ---	MM ONLY	4:1	METRIC	THIRD ANGLE PROJECTION
	DRAFT WHERE APPLICABLE MUST REMAIN WITHIN DIMENSIONS	ANGULAR ±1/2° MATERIAL NO. 1708140037	DRAWN BY DATE JESSIECHUA 2014/05/30 CHECKED BY DATE SHONG 2014/05/30 APPROVED BY DATE SHONG 2014/06/03	TITLE RECEPTACLE 4X8, 8MM, 85 OHMS NEOSCALE <b>molex</b>	DOCUMENT NO. SD-170814-0037	SHEET NO. 1 OF 1
	THIS DRAWING CONTAINS INFORMATION THAT IS PROPRIETARY TO MOLEX INCORPORATED AND SHOULD NOT BE USED WITHOUT WRITTEN PERMISSION					