

Device connector, rear mounting - SH-8EPS48AH000S - 1627206

Please be informed that the data shown in this PDF Document is generated from our Online Catalog. Please find the complete data in the user's documentation. Our General Terms of Use for Downloads are valid (<http://phoenixcontact.com/download>)



Device connector for rear wall, straight, shielded: yes, for standard and SPEEDCON interlock, M23, No. of pos.: 8+4+PE, type of contact: Pin, Crimp connection, Flat gasket, Central fastening M26 x 1, Panel thickness min.: 1.5 mm, Panel thickness max.: 5 mm

The figure shows the product version with CAT5 interface

Your advantages

- ✓ All housing can be fitted with pin or socket contacts
- ✓ A total of eight contacts are available for signal transmission
- ✓ Safe use in the field, thanks to high degree of protection
- ✓ Consistent EMC protection for reliable connection solutions in the industrial environment

Key Commercial Data

| | |
|--------------|---------------|
| Packing unit | 1 pc |
| GTIN | |
| GTIN | 4055626408217 |

Technical data

Temperature range

| | |
|---------------------------------|-------------------|
| Ambient temperature (operation) | -40 °C ... 130 °C |
|---------------------------------|-------------------|

Data of the insulating body

| | |
|--|---|
| Note | Order information: Crimp contacts, 8 x Ø 1 mm, 5 x Ø 2 mm, order separately |
| Protection against electric shock | IEC 61984 and VDE 0623 |
| Coding | N |
| Insulator material | PA 6.6 |
| Insertion/withdrawal cycles mechanical | 100 |
| Contact connection method | Crimp connection |
| Type of contacts | Pin |
| Application | Hybrid |
| Number of positions | 13 |
| Contact diameter of power contacts | 2 mm |
| Litz wire cross section of power contacts min. | 0.25 mm ² |

Device connector, rear mounting - SH-8EPS48AH000S - 1627206

Technical data

Data of the insulating body

| | |
|---|----------------------|
| Litz wire cross section of power contacts max. | 4 mm ² |
| Nominal current per power contact at 25°C | 30 A |
| Rated surge voltage | 6 kV |
| Rated voltage (II/3) power contact | 850 V DC |
| Rated voltage (III/3) power contact | 630 V \hat{v} AC |
| Contact diameter of signal contacts | 1 mm |
| Litz wire cross section of signal contacts min. | 0.06 mm ² |
| Litz wire cross section of signal contacts max. | 1 mm ² |
| Nominal current per signal contact at 25°C | 8 A |
| Rated surge voltage | 1.5 kV |
| Rated voltage (III/3) signal contact | 50 V |

Housing data

| | |
|--|-------------------------------------|
| Housing material | CuZn |
| Type of locking | for standard and SPEEDCON interlock |
| Degree of protection (when plugged in) | IP67 |
| Thread type | M23 |

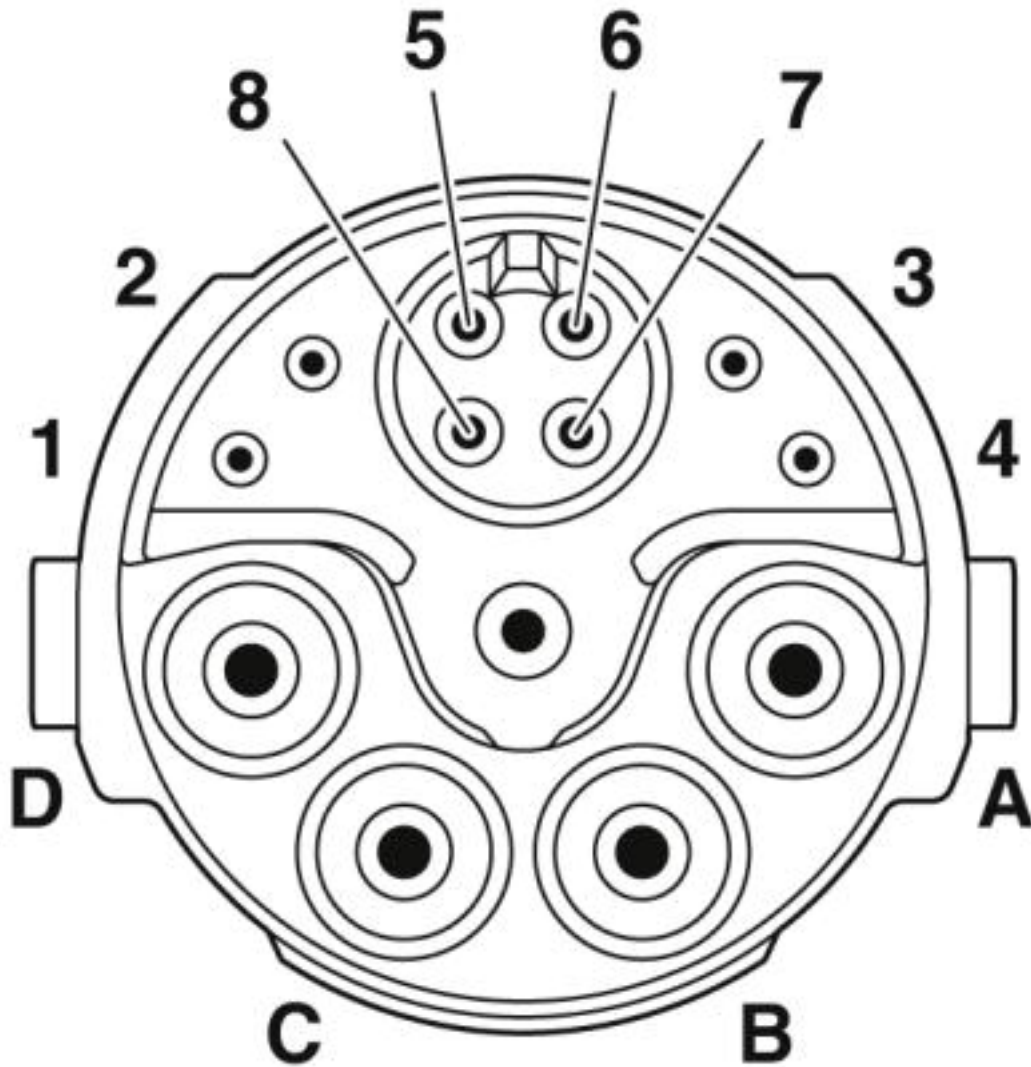
Environmental Product Compliance

| | |
|------------|---|
| | Lead 7439-92-1 |
| China RoHS | Environmentally Friendly Use Period = 50 |
| | For details about hazardous substances go to tab "Downloads", Category "Manufacturer's declaration" |

Drawings

Device connector, rear mounting - SH-8EPS48AH000S - 1627206

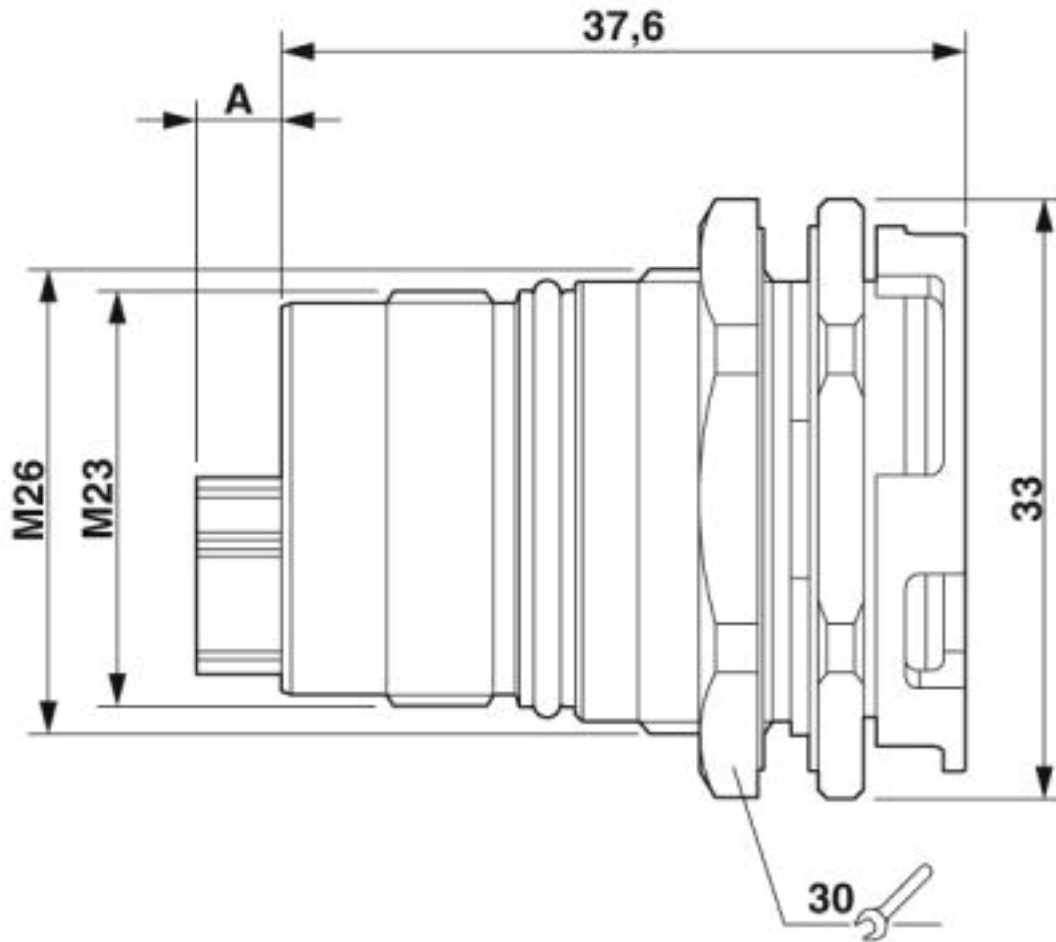
Schematic diagram



Pin assignment of pin, signal

Device connector, rear mounting - SH-8EPS48AH000S - 1627206

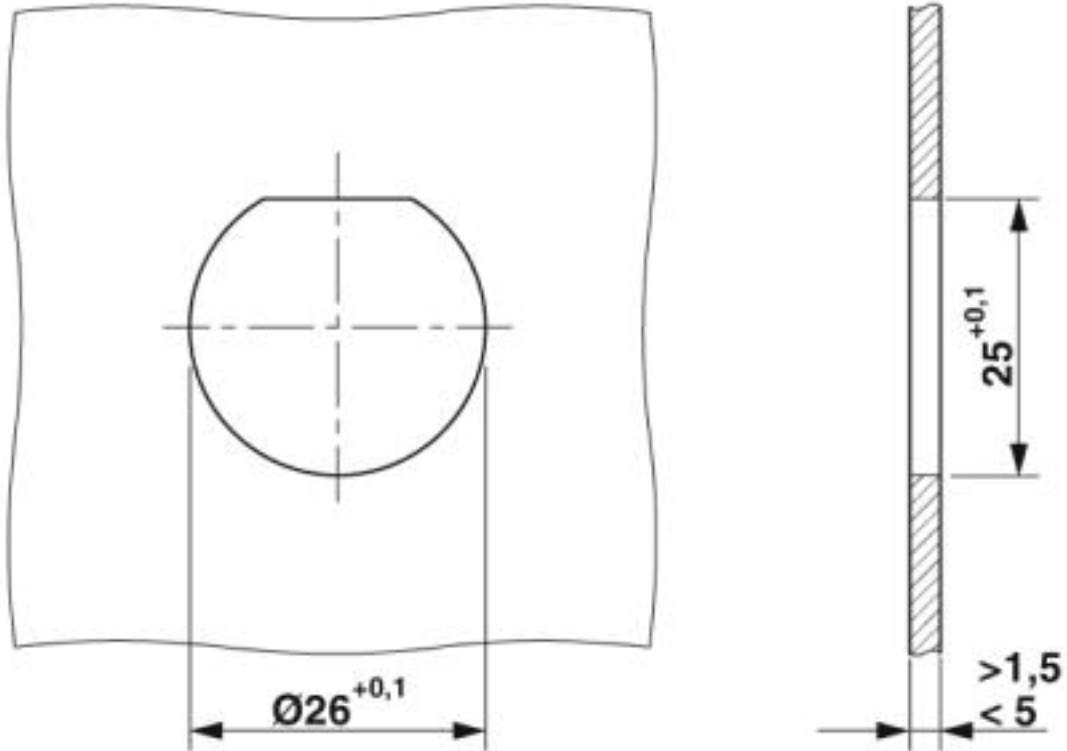
Dimensional drawing



Pin version: dimension A = 4.7 mm, socket version: dimension A = 0 mm

Device connector, rear mounting - SH-8EPS48AH000S - 1627206

Dimensional drawing



Installation dimensions

Phoenix Contact 2019 © - all rights reserved
<http://www.phoenixcontact.com>

PHOENIX CONTACT GmbH & Co. KG
Flachsmarktstr. 8
32825 Blomberg
Germany
Tel. +49 5235 300
Fax +49 5235 3 41200
<http://www.phoenixcontact.com>