



General Specifications

Motor Protection:

Auto Restart/Polarity Protection

Insulation Resistance:

min 10M Ω by DC500V Megger

Dielectric Withstand Voltage: AC 700V 1s

Allowable Ambient Temperature Range:

-10°C ~ +60°C (Operating)

-40°C ~ +70°C (Storage)

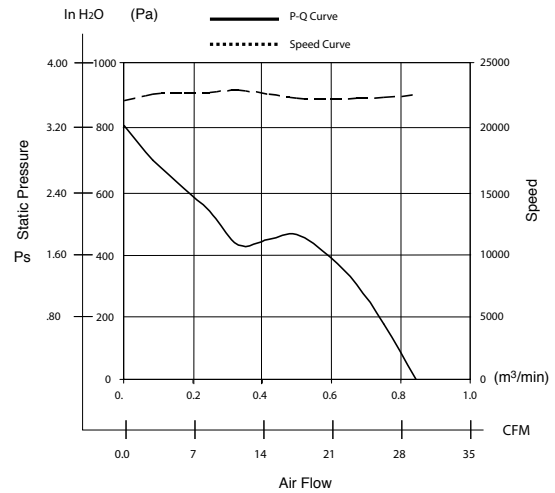
(non-condensing environment)

Expected Life

Failure Rate: 10%

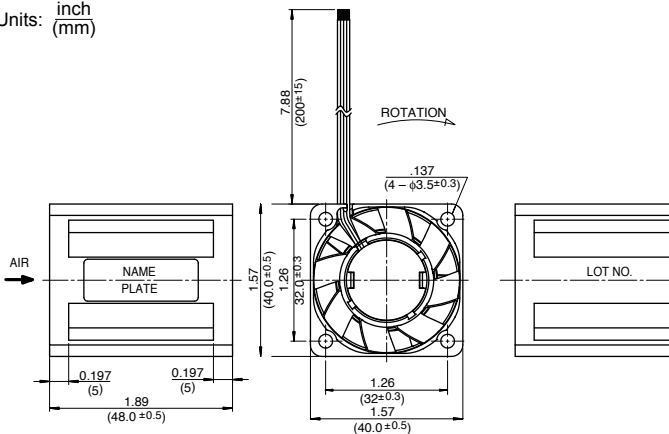
40°C 70,000 Hours

Characteristic Curves

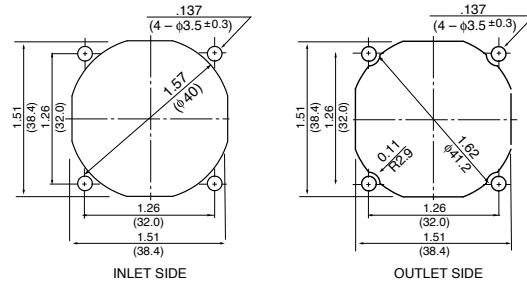


Outline

Units: $\frac{\text{inch}}{\text{mm}}$



Panel Cut-outs



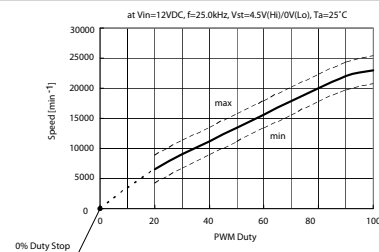
Material

- Casing : Plastic (Black) 94V-0
- Impeller : Plastic (Black) 94V-0
- Bearing : Ball Bearing
- Lead Wire: UL10368, AWG24, +Red, -Black
- Tach Sig. : White PWM Control : Brown

PWM Control Voltage

- Vst = 0V ~ 0.5V Stop (On Duty 0%)
 - Vst = 3.3V ~ 5.0V Full Speed (On Duty 100%)
 - Vst = Open Full Speed
- (At Ta = 25°C, rated voltage 12VDC)

Reference PWM Duty vs Speed Curve



Specifications

MODEL	Product No.	Rated Voltage	Operating Voltage	Current	Input Power	Speed	Max. Air Flow		Max. Static Pressure		Noise	Mass
		(V)	(V)	(A) ^{*1}	(W) ^{*1}	(min ⁻¹) ^{*1}	CFM ^{*1}	(m³/min) ^{*1}	in H ₂ O	(Pa) ^{*1}	(dB) ^{*1}	(g)
1619FT-04W-B86-	BXX	12	10.8 ~ 13.2	1.05	12.60	23,000	28.9	0.82	3.29	820.0	62.0	71

Rotation: Clockwise

Airflow Outlet: Air Out Over Struts

*1: Average Values in Free Air