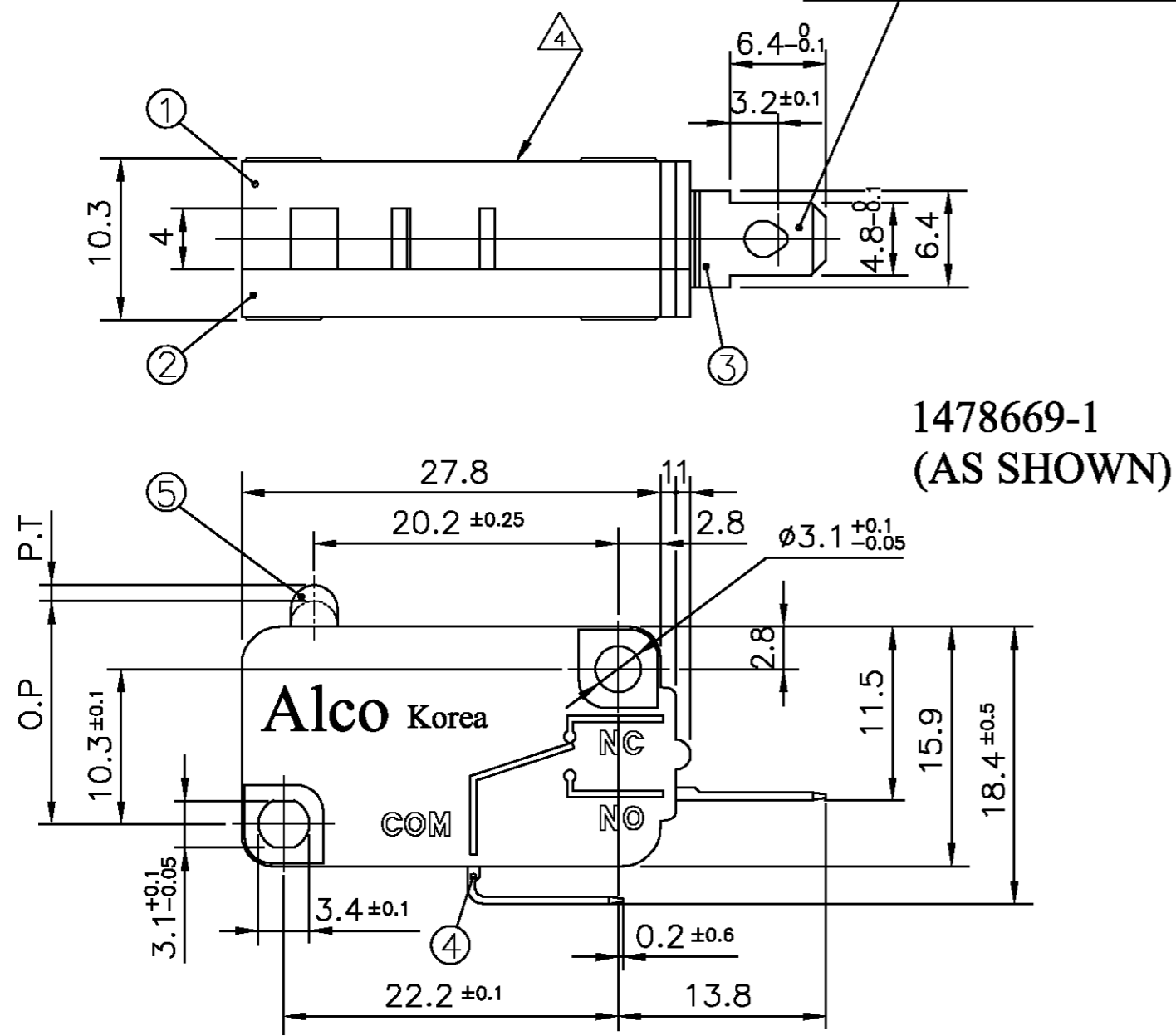


THIS DRAWING IS UNPUBLISHED. RELEASED FOR PUBLICATION
 © COPYRIGHT 2001 BY TYCO ELECTRONICS CORPORATION. ALL RIGHTS RESERVED.

LOC		DIST		REVISIONS			
P	LTR	DESCRIPTION	DATE	DWN	APVD		
E	B	E	EBD0-0129-03	06-06-03	SS	JA	
		D	EB00-0025-03	04-02-03	PB	JA	
		C	EB00-0308-02	23-09-02	SS	JA	

.187 TAB & SOLDERING TERMINAL, 0.5mm THICK.

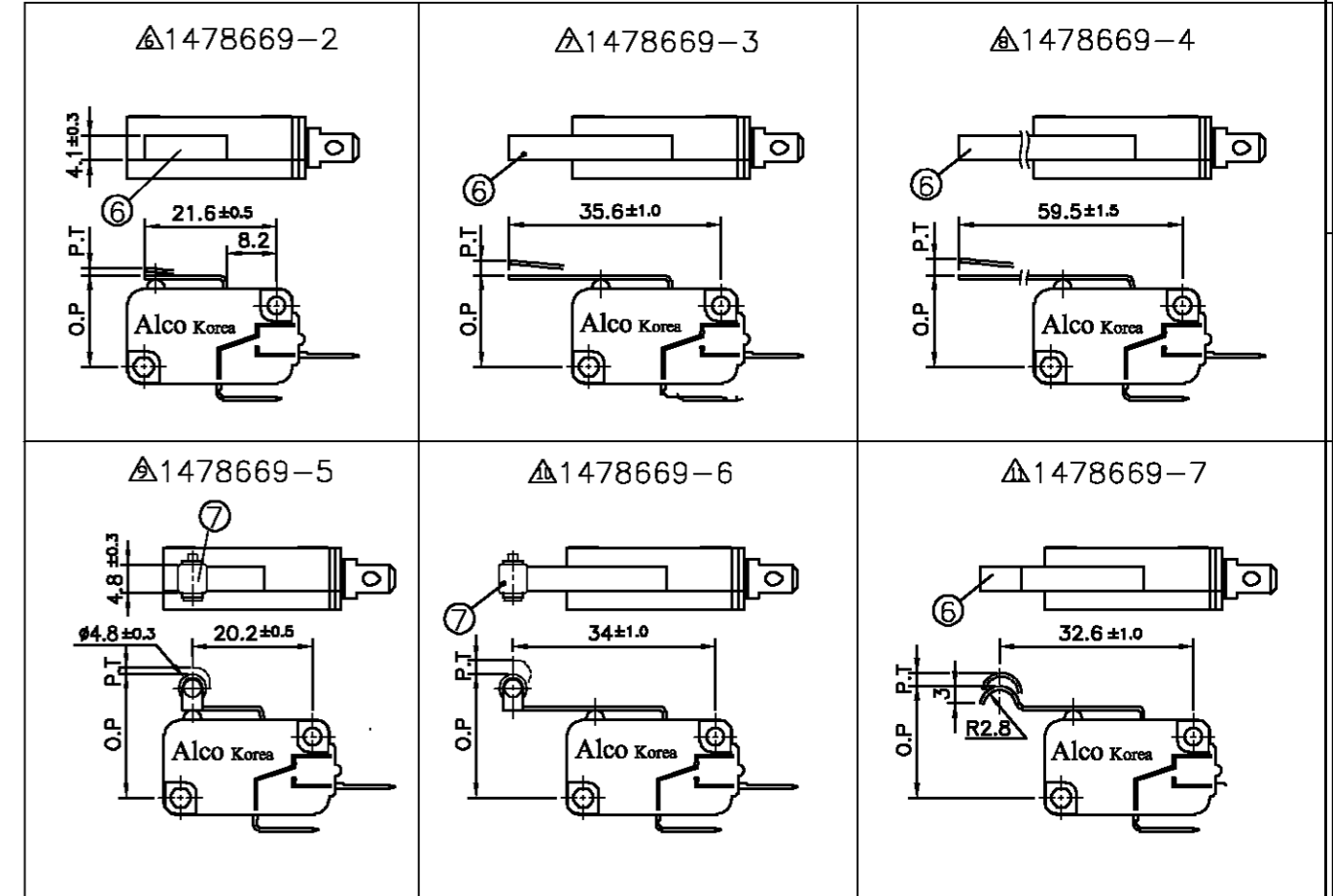


1478669-1
(AS SHOWN)

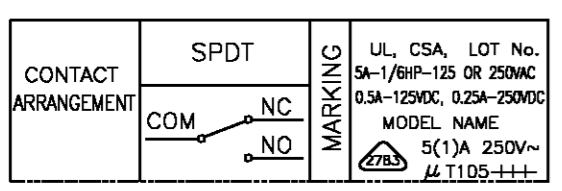
SPECIFICATION DATA

	Minature Range		
	16	5	0.1
Amp Rating			
Insulation Resistance	Min. 100M ohm		
Contact Resistance	Max 15 M ohm		Max 50 M ohm
Dielectric Strength	Between Non-consecutive terminals AC 2,000V		
Operating Speed	0.2mm/sec - 1,000mm/sec		1mm/sec - 500mm/sec
Max allowed Mechanical Open/Close Frequencies	600 Cycles/min		300 Cycles/min
Shock Resistance (Without Lever)	300mm/sec sq (approx 30G)		
Vibration Resistance (Without Lever)	1.5mm 10-55 Hz (2Hr)		1.5mm 10 - 20Hz (2 Hr)
Electrical Life	100,000 Operations at Rated Load (Max 20 Operations/min)		1,000,000 Operations
Mechanical Life	10,000,000 Operations (Max 200 operations/min)		
Safety Approval	UL / CSA / VDE		
Operating Temperature Range	-20 deg C to 130 deg C RH85% Max		-30 deg C to 130 deg C RH90% Max
UL File No.	E60363		
CSA File No	218582		
VDE File No.	40006699		40006698

NO	DRAWING NO	△	CHARACTERISTICS					
			Operating Force	Releasing Force	Pre Travel	Operating Position	Over Travel	Movement Differential
1	1478669-1	—	Max 120 g	Min 20 g	Max 1.6 mym	14.8 ±0.4 mym	Min 0.8 mym	Max 0.4 mym
2	1478669-2	△	120 g	20 g	1.6 mym	15.4 ±0.4 mym	0.8 mym	0.4 mym
3	1478669-3	△	60 g	10 g	4.0 mym	15.4 ±1.4 mym	1.3 mym	1.2 mym
4	1478669-4	△	30 g	5 g	7.5 mym	15.4 ±3.0 mym	2.6 mym	2.4 mym
5	1478669-5	△	140 g	20 g	1.6 mym	20.7 ±0.8 mym	0.8 mym	0.4 mym
6	1478669-6	△	60 g	10 g	4.0 mym	20.7 ±1.6 mym	1.3 mym	1.2 mym
7	1478669-7	△	60 g	10 g	4.0 mym	18.6 ±1.5 mym	1.3 mym	1.2 mym



- NOTES:
- FOR TECHNICAL DATA REFER TO YOUR LOCAL TYCO ELECTRONICS SALES OFFICE.
 - ALL DIMENSIONS ARE NOMINAL. FOR REFERENCE ONLY UNLESS OTHERWISE STATED.
 - ALL DIMENSIONS ARE COMMON TO THE MAIN BODY. VARIATIONS ARE IN THE OPERATING LEVERS.
 - TYCO PART NUMBER AND LOT No. INKJET MARKED IN THIS AREA.
 - GENERAL INFO.



6 FOR PACKAGING INFORMATION SEE SPEC. 107-115

7	ROLLER	(1)
6	LEVER	(1)
5	BUTTON	1
4	COMMON TERMINAL	1
3	TERMINAL	1
2	COVER	1
1	BOX	1
NO	PART NAME	Q'TY

MP5-NO-ASMB	1478668-7	Microswitch, Simu Lever	Brown	1000	CARTON
MP5-NO-ANRB	1478668-6	Microswitch, Norm Roller	Brown	800	CARTON
MP5-NO-ASRE	1478668-5	Microswitch, Short Roller	Brown	1000	CARTON
MP5-NO-ALLA	1478668-4	Microswitch, Long Lever	Brown	600	CARTON
MP5-NO-ANLB	1478668-3	Microswitch, Norm Lever	Brown	800	CARTON
MP5-NO-ASLD	1478668-2	Microswitch, Short Lever	Brown	1000	CARTON
MP5-NO-AOLD	1478668-1	Microswitch, Pin Plunger	Brown	1000	CARTON
TYCO SALES PART No.	TYCO PART NO.	DESCRIPTION	COLOUR	QTY	PACK DESC

THIS DRAWING IS A CONTROLLED DOCUMENT.

DWN	P. Bates	04FEB2003
CHK	C. Kaminski	17-10-01
APVD	C. Kaminski	17-10-01
PRODUCT SPEC		
APPLICATION SPEC		
WEIGHT	-	
CUSTOMER DRAWING		

tyco Electronics Tyco Electronics Corporation
Stanmore, Middlesex, HA7 4RS

NAME: MICRO SWITCH 5A
SOLDER TERMINAL
120g RANGE

SIZE	CAGE CODE	DRAWING NO	RESTRICTED TO
A2	00779	C=1478669	-
SCALE	1:1	SHEET	1 OF 2
REV	E		

THIS DRAWING IS UNPUBLISHED. RELEASED FOR PUBLICATION
 © COPYRIGHT 2001 BY TYCO ELECTRONICS CORPORATION. ALL RIGHTS RESERVED.

LOC		DIST		REVISIONS			
P	LTR	DESCRIPTION	DATE	DWN	APVD		
E	B	EBD0-0129-03	06-06-03	SS	JA		

MAJOR COMPONENT & MATERIAL LIST

NO	PART NAME	MATERIAL	Q'ty	UL FRAME	FINISH (COLOR)
1	CASE	P.B.T RESIN	1	94 V-0	
2	COVER		1		
3	MOVABLE CONTACTOR	Brass Sheet t=0.4	1		SILVER PLATING
4	GUIDE PLATE	Brass Sheet t=0.8	1		SILVER PLATING
5	COMMON TERMINAL	Brass Sheet t=0.8	1		SILVER PLATING
6	PLATE SPRING	Beryllium Copper Sheet (t=0.1~ 0.25)	1		
7	TERMINAL AID	Brass Sheet (t=0.8)	1		
8	CONTACT	AgCu alloy → Ag 80% + Cu 20%	2		
9	TERMINAL	Brass Sheet (t=0.8)	1		
10	ACTUATOR	PHENOLIC RESIN	1	94 V-0	
11	LEVER	Stainless Steel Sheet (t=0.6)	(1)		

() = Where Applicable

THIS DRAWING IS A CONTROLLED DOCUMENT.		DWN S.Shackson 06JUN2003	Tyco Electronics Corporation Stanmore, Middlesex, HA7 4RS	
DIMENSIONS: MM		CHK F.Wheeler-King 06JUN2003	NAME MICRO SWITCH 5A SOLDER TERMINAL 120g RANGE	
TOLERANCES UNLESS OTHERWISE SPECIFIED:		APVD F.Wheeler-King 06JUN2003	SIZE A2	CAGE CODE 00779
0 PLC ± - 1 PLC ± - 2 PLC ± - 3 PLC ± - 4 PLC ± - ANGLES ± -		PRODUCT SPEC -	DRAWING NO C=1478669	RESTRICTED TO -
MATERIAL -		FINISH -	WEIGHT -	SCALE 1:1
CUSTOMER DRAWING			SHEET 2	OF 2
			REV E	