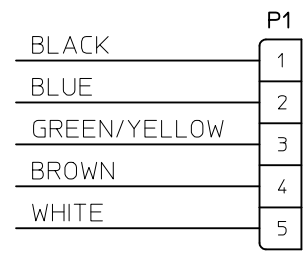
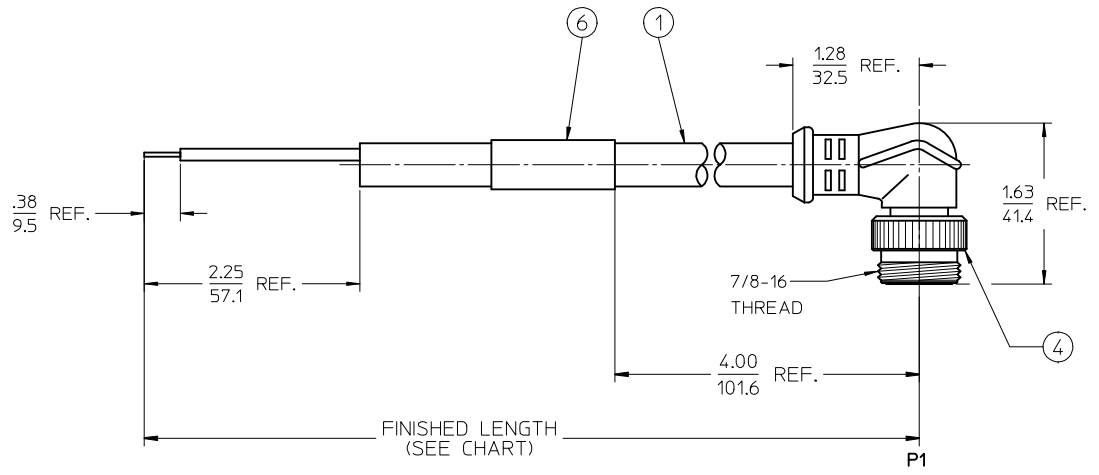


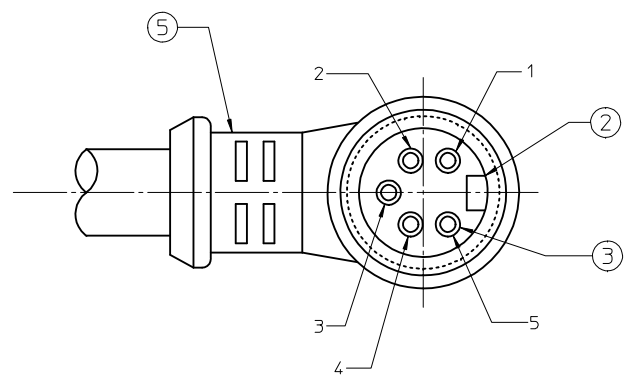
MATERIAL NO.	ENGINEERING NO.	FINISHED LENGTH
1300068143	105007B21M050	16'5" +6.50"-0 (5M +165.1mm-0)
1300068144	105007B21M100	32'10" +12.50"-0 (10M +317.5mm-0)
1300068145	105007B21M200	65'7" +24.50"-0 (20M +622.3mm-0)
1300068146	105007B21M300	98'5" +24.50"-0 (30M +622.3mm-0)

NOTES:

- MATERIAL: SEE TABLE
- FINISHES: SEE TABLE
- ELECTRICAL SPECIFICATIONS
VOLTAGE RATING: 300V AC/DC
CURRENT RATING: 8 AMPS
- PROTECTION: IP67
- ASSEMBLY IS RoHS COMPLIANT BY EXEMPTION



WIRING DIAGRAM



MALE FACE VIEW
SCALE: 2X

6	1	WRAP LABEL	MYLAR	BLACK/YELLOW
5	2	OVERMOLD-90 DEG	PUR	BLACK
4	1	COUPLING RING-EXT. THREAD	ZINC DIE-CAST	BLACK
3	5	CONTACT PIN	Cu ALLOY	GOLD PLATED
2	1	INSERT, 5P-MALE	PUR	BLACK
1	A/R	CABLE 5/C, 1.5mm ² (16 AWG)	PUR JACKET	GRAY
ITEM	QTY.	DESCRIPTION	MATERIAL	FINISH

RELEASED EC NO: DRWINRSTONE 2012/11/12 CHKDK JOZWIK 2012/11/26 APPR:	DESCRIPTION REV:	QUALITY SYMBOLS ▽=0 ▽=0	GENERAL TOLERANCES (UNLESS SPECIFIED) <table border="1"> <thead> <tr> <th></th> <th>mm</th> <th>INCH</th> </tr> </thead> <tbody> <tr> <td>4 PLACES</td> <td>± ---</td> <td>± ---</td> </tr> <tr> <td>3 PLACES</td> <td>± ---</td> <td>± ---</td> </tr> <tr> <td>2 PLACES</td> <td>± ---</td> <td>± .01</td> </tr> <tr> <td>1 PLACE</td> <td>± 0.3</td> <td>± ---</td> </tr> <tr> <td>0 PLACE</td> <td>± ---</td> <td>± ---</td> </tr> </tbody> </table>		mm	INCH	4 PLACES	± ---	± ---	3 PLACES	± ---	± ---	2 PLACES	± ---	± .01	1 PLACE	± 0.3	± ---	0 PLACE	± ---	± ---	DIMENSION STYLE IN/MM	SCALE 1:1	DESIGN UNITS INCH	THIRD ANGLE PROJECTION
		mm	INCH																						
	4 PLACES	± ---	± ---																						
	3 PLACES	± ---	± ---																						
2 PLACES	± ---	± .01																							
1 PLACE	± 0.3	± ---																							
0 PLACE	± ---	± ---																							
DRAFT WHERE APPLICABLE MUST REMAIN WITHIN DIMENSIONS			DRAWN BY: RSTONE DATE: 2012/11/12 CHECKED BY: K JOZWIK DATE: 2012/11/26 APPROVED BY: DATE:	TITLE MINI CHANGE CABLE ASSY. 5P MP, 90 DEGREE 1.5MM² (16 AWG) PUR																					
MATERIAL NO. SEE CHART			DOCUMENT NO. SD-130006-046		SHEET NO. 1 OF 1																				
THIS DRAWING CONTAINS INFORMATION THAT IS PROPRIETARY TO MOLEX INCORPORATED AND SHOULD NOT BE USED WITHOUT WRITTEN PERMISSION																									