

- NOTES:
- MATERIALS:
 - NPIO: BACKSHELLS - GLASS FILLED LCP, UL94-V0
 - COLOR: BLACK.
 - LATCHING - STAINLESS STEEL
 - PCB - HALOGEN FREE
 - MINISAS: OVER MOLD - POLYBUTYLENE TEREPHTHALATE (PBT)
 - 94-V0 GLASS FILLED 30%.
 - LATCH - STAINLESS STEEL
 - PCB - HALOGEN FREE
 - EXPANDO CABLE - POLYETHYLENE TEREPHTHALATE (PET)
 - SIGNALS:
 - SOLID COPPER SIGNAL AND DRAIN
 - INNER DIELECTRIC: FEP
 - TWIN-AX SHIELD: ALUMINIZED POLYESTER FOIL
 - JACKET: MYLAR
 - SEE TABLE
 - LENGTH AND TOLERANCE
 - RoHS COMPLIANT, NO EXEMPTIONS.

MOLEX P/N	LENGTH	TOLERANCE	RAW CABLE IMPEDANCE	AWG	MECHANICAL SPECIFICATION	ELECTRICAL SPECIFICATION
1004363000	0.30M	±10mm	85	34	NPIO - SFF-8611, MINISAS - SFF-8087	PCI EXPRESS OCuLink SPECIFICATION REV 1.0
1004363001	0.50M	±10mm	85	34	NPIO - SFF-8611, MINISAS - SFF-8087	PCI EXPRESS OCuLink SPECIFICATION REV 1.0
1004363002	1.00M	±10mm	85	34	NPIO - SFF-8611, MINISAS - SFF-8087	PCI EXPRESS OCuLink SPECIFICATION REV 1.0

QUALITY SYMBOLS F = 0 E = 0 E = 0 ▽ = 0 C = 0 ⊠ = 0 ■ = 0 ▽ = 0	THIS DRAWING CONTAINS INFORMATION THAT IS PROPRIETARY TO MOLEX ELECTRONIC TECHNOLOGIES, LLC AND SHOULD NOT BE USED WITHOUT WRITTEN PERMISSION		DIMENSION UNITS mm	SCALE 5:1		
	GENERAL TOLERANCES (UNLESS SPECIFIED) ANGULAR TOL ± ° 4 PLACES ± 3 PLACES ± 2 PLACES ± 1 PLACE ± 0 PLACES ±	DRWN BY TPRATT	DATE 2016/07/14	DRWN BY TPRATT		DATE 2016/07/14
EC NO: 122161 DRWN: HLIN24 CHKD: RHLJ01 REV: APPR:	2017/09/19 2017/09/20	APPR BY JCDEMPSEY	DATE 2016/07/14	DRAWING SIZE D	THIRD ANGLE PROJECTION	PRODUCT CUSTOMER DRAWING
SERIES 100436	MATERIAL NUMBER 1004363000	CUSTOMER GENERIC	DOCUMENT NUMBER PSD	DOC PART 000	SHEET NUMBER 1 OF 3	

PINOUT TABLE

P1 - NPIO				P2 - MINISAS	
PIN #	DESCRIPTION	SIGNAL TYPE	WIRE ID	PIN #	DESCRIPTION
A1	RSVD	NC	NO WIRE		
A2	GROUND	----	TWINAX1	B1	GROUND
A3	RX+0	<---	TWINAX1	B2	TX+0
A4	RX-0	<---	TWINAX1	B3	TX-0
A5	GROUND	----	TWINAX2	B4	GROUND
A6	RX+1	<---	TWINAX2	B5	TX+1
A7	RX-1	<---	TWINAX2	B6	TX-1
A8	GROUND	NC	NO WIRE		
A9	SB7	<-->	TWINAX3	B8	SB7
A10	SB3	<-->	TWINAX3	B9	SB3
A11	GROUND	NC	NO WIRE		
A12	SB4	<-->	TWINAX4	B10	SB4
A13	SB5	<-->	TWINAX4	B11	SB5
A14	GROUND	NC	NO WIRE		
A15	RX+2	<---	TWINAX5	B13	TX+2
A16	RX-2	<---	TWINAX5	B14	TX-2
A17	GROUND	----	TWINAX5	B7/B12	GROUND
A18	RX+3	<---	TWINAX6	B16	TX+3
A19	RX-3	<---	TWINAX6	B17	TX-3
A20	GROUND	----	TWINAX6	B15	GROUND
A21	RSVD	NC	NO WIRE	B18	GROUND
B1	RSVD	NC	NO WIRE		
B2	GROUND	----	TWINAX7	A1	GROUND
B3	TX+0	--->	TWINAX7	A2	RX+0
B4	TX-0	--->	TWINAX7	A3	RX-0
B5	GROUND	----	TWINAX8	A4	GROUND
B6	TX+1	--->	TWINAX8	A5	RX+1
B7	TX-1	--->	TWINAX8	A6	RX-1
B8	GROUND	NC	NO WIRE		
B9	SB0	<-->	TWINAX9	A8	SB0
B10	SB1	<-->	TWINAX9	A9	SB1
B11	GROUND	NC	NO WIRE		
B12	SB2	<-->	TWINAX10	A10	SB2
B13	SB6	<-->	TWINAX10	A11	SB6
B14	GROUND	NC	NO WIRE		
B15	TX+2	--->	TWINAX11	A13	RX+2
B16	TX-2	--->	TWINAX11	A14	RX-2
B17	GROUND	----	TWINAX11	A7/A12	GROUND
B18	TX+3	--->	TWINAX12	A16	RX+3
B19	TX-3	--->	TWINAX12	A17	RX-3
B20	GROUND	----	TWINAX12	A15	GROUND
B21	RSVD	NC	NO WIRE	A18	GROUND

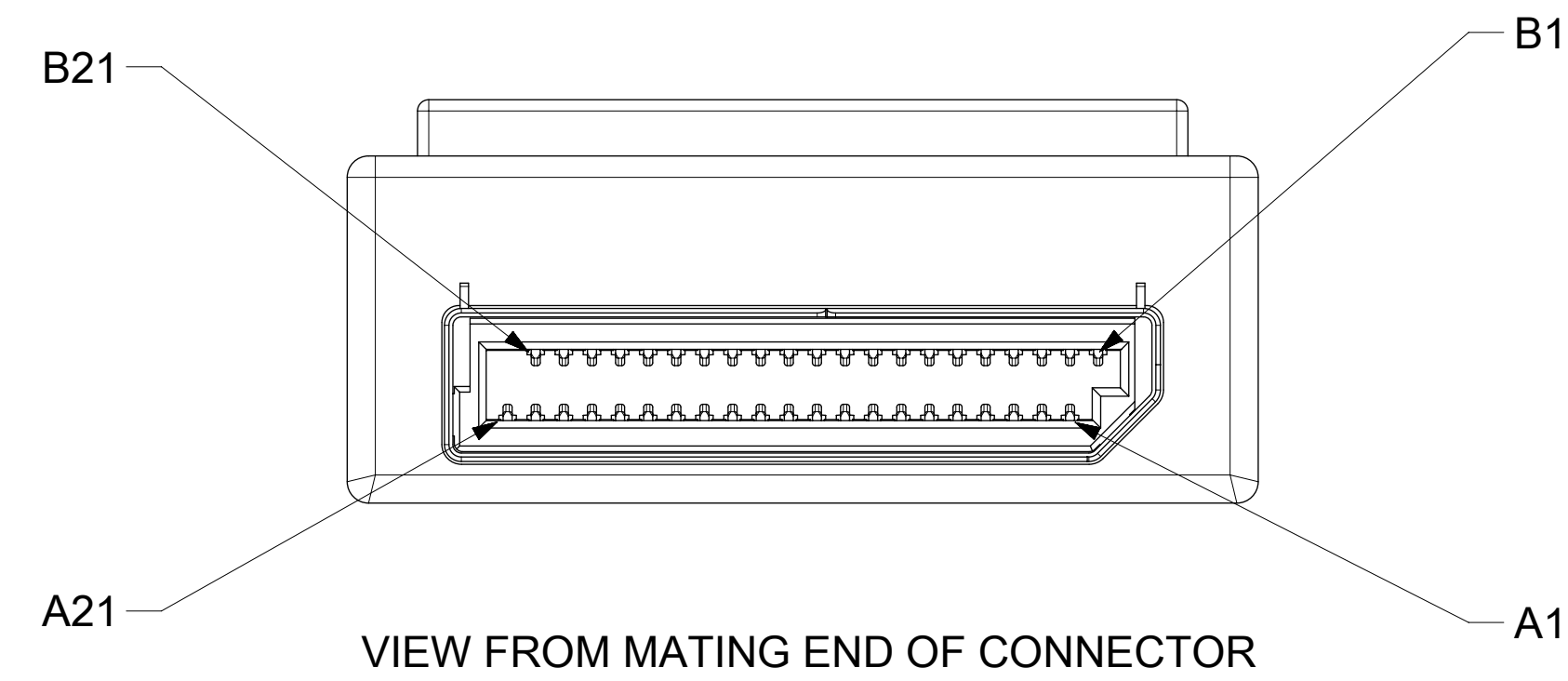
LEGEND

- = THRU LINE
- > = TRANSMIT TO RECEIVE ON HIGH SPEED LINE
- <--> = SIDEBAND
- NC = NOT CONNECTED

NOTE: CONNECTION DETERMINED BY PIN #. DESCRIPTION FOR REFERENCE ONLY.

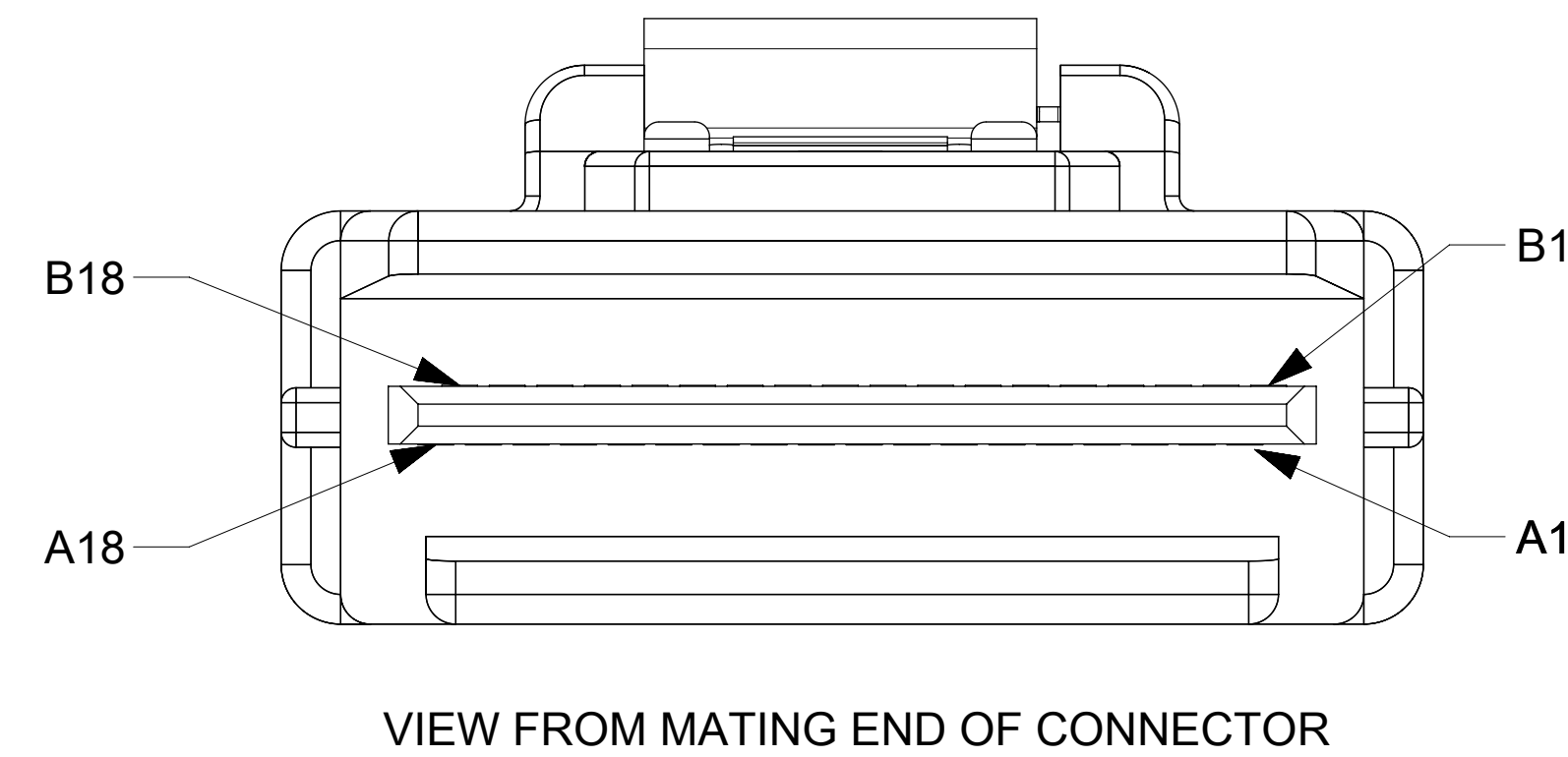
NPIO

P1



MINISAS

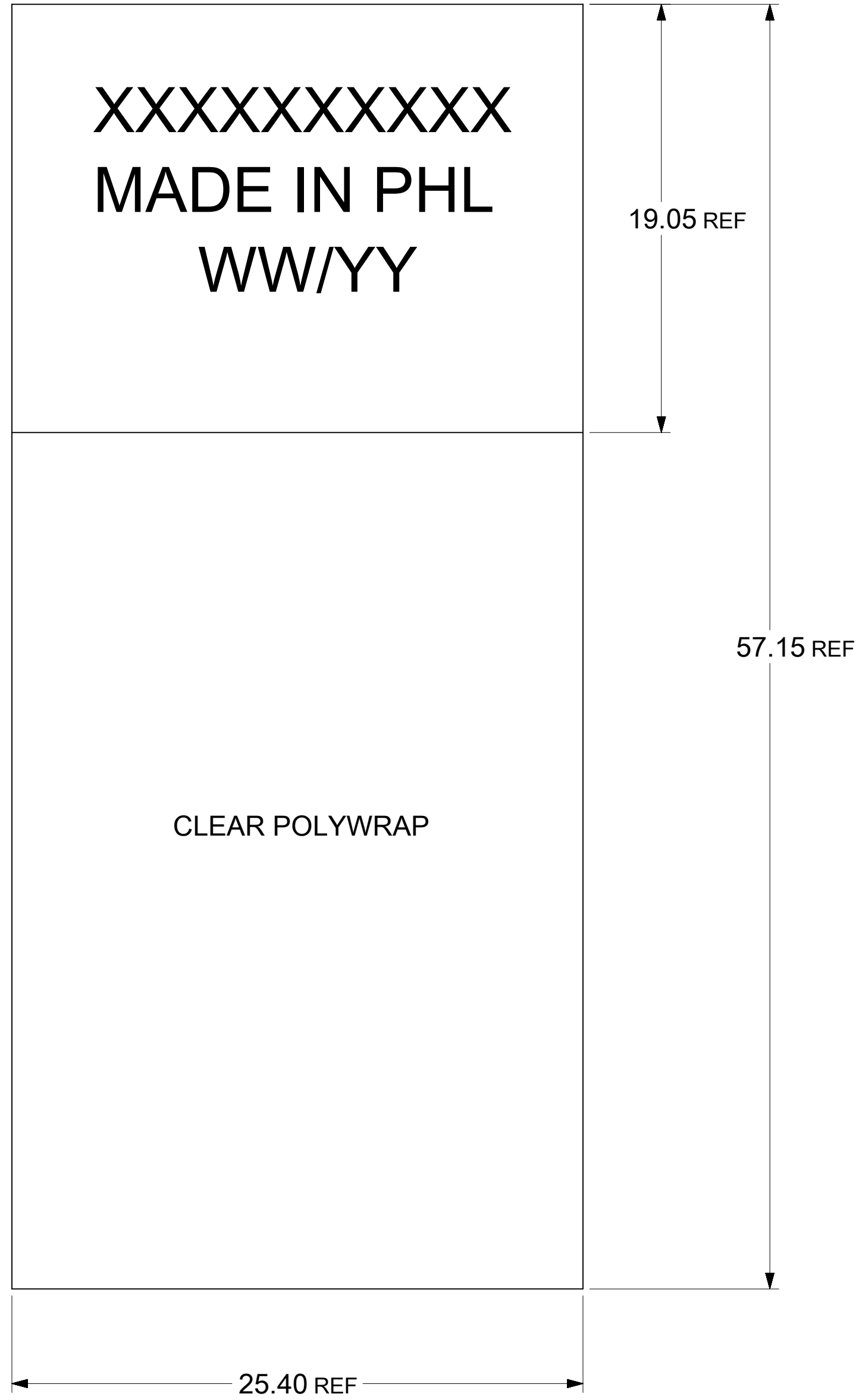
P2



QUALITY SYMBOLS F = 0 E = 0 D = 0 C = 0 B = 0 A = 0 0 = 0	THIS DRAWING CONTAINS INFORMATION THAT IS PROPRIETARY TO MOLEX ELECTRONIC TECHNOLOGIES, LLC AND SHOULD NOT BE USED WITHOUT WRITTEN PERMISSION			
	EC NO: 122161 DRWN: HLN24 CHKD: REV APPR: RHSJ01	2017/09/19 2017/09/20	GENERAL TOLERANCES (UNLESS SPECIFIED) ANGULAR TOL ± ° 4 PLACES ± 3 PLACES ± 2 PLACES ± 1 PLACE ± 0 PLACES ± DRAFT WHERE APPLICABLE MUST REMAIN WITHIN DIMENSIONS	DIMENSION UNITS: mm SCALE: 1:1 DRWN BY: TPRATT DATE: 2016/07/14 CHKD BY: TPRATT DATE: 2016/07/14 APPR BY: JCDEMPSEY DATE: 2016/07/14
RELEASE STATUS: P1 RELEASE DATE: 20.09.2017 08:46:22	SERIES: 100436	MATERIAL NUMBER: SEE P/N TABLE	CUSTOMER: GENERIC	DOCUMENT NUMBER: 1004363000 DOC TYPE: PSD DOC PART: 000 SHEET NUMBER: 2 OF 3

LABEL DETAIL

MOLEX P/N (SEE P/N TABLE) ----->
 MANUFACTURING LOCATION ----->
 MANUFACTURE DATE ----->
 WW: WEEK OF YEAR
 YY: LAST TWO DIGITS OF YEAR



THIS DRAWING CONTAINS INFORMATION THAT IS PROPRIETARY TO MOLEX ELECTRONIC TECHNOLOGIES, LLC AND SHOULD NOT BE USED WITHOUT WRITTEN PERMISSION											
QUALITY SYMBOLS		2017/09/19		2017/09/20		GENERAL TOLERANCES (UNLESS SPECIFIED)		DIMENSION UNITS		SCALE	
	= 0	EC NO: 122161 DRWN: HLIN24 CHKD: REV APPR: RHSJ01		DRAFT WHERE APPLICABLE MUST REMAIN WITHIN DIMENSIONS		4 PLACES ±		mm		1:1	
	= 0					ANGULAR TOL ± °		DRWN BY DATE			
	= 0					3 PLACES ±		TPRATT 2016/07/14			
	= 0					2 PLACES ±		CHKD BY DATE			
	= 0					1 PLACE ±		TPRATT 2016/07/14			
	= 0					0 PLACES ±		APPR BY DATE			
	= 0	DRAFT WHERE APPLICABLE MUST REMAIN WITHIN DIMENSIONS		JCDEMPSEY 2016/07/14		DRAWING SIZE		THIRD ANGLE PROJECTION		SERIES	
	= 0	D		D		D		D		100436	
RELEASE STATUS		P1		RELEASE DATE		20.09.2017 08:46:22		1004363000		PSD 000	
19		18		17		16		15		14	
13		12		11		10		9		8	
7		6		5		4		3		2	
1		1		1		1		1		1	



4X NPIO STR TO MINISAS 36CKT GEN MARKET

PRODUCT CUSTOMER DRAWING

SERIES: 100436 MATERIAL NUMBER: SEE P/N TABLE CUSTOMER: GENERIC

DOCUMENT NUMBER: 1004363000 DOC TYPE: PSD DOC PART: 000 SHEET NUMBER: 3 OF 3