

THIS DRAWING IS UNPUBLISHED-

RELEASED FOR PUBLICATION

2002

LOC

DIST

REVISIONS

© COPYRIGHT 2002 Tyco Electronics AMP GmbH

ALL RIGHTS RESERVED.

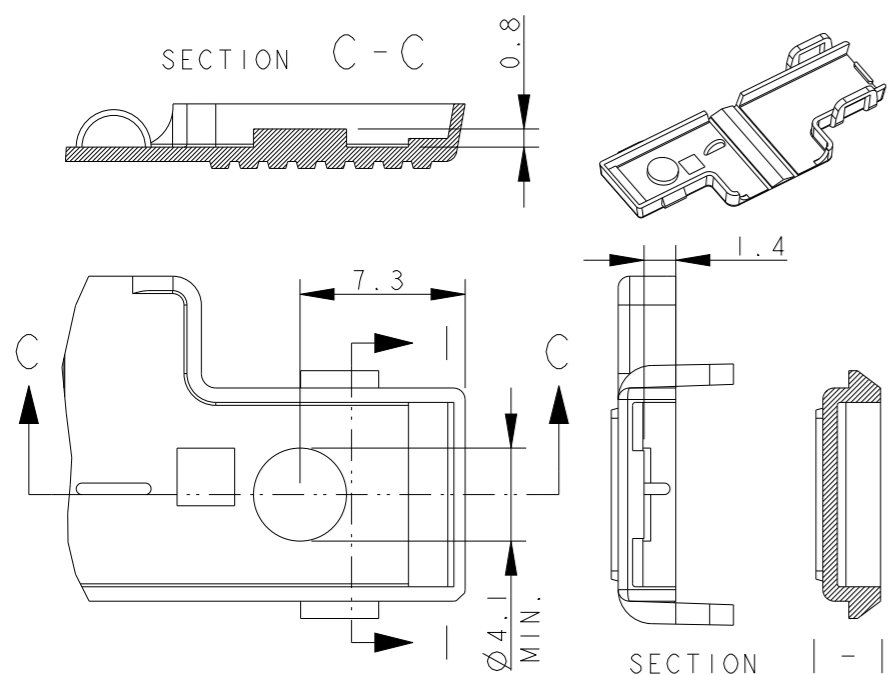
IR

-

P	LTR	DESCRIPTION	DATE	DWN	APVD
AZ4		REVISED PER ECO-11-005140	31MAR11	RK	HMR
AZ5		ECR-11-018349	05SEP2011	PKS	RRP
AZ6		REVISED PER ECN-22-146302	29MAR2022	WLS	ZC

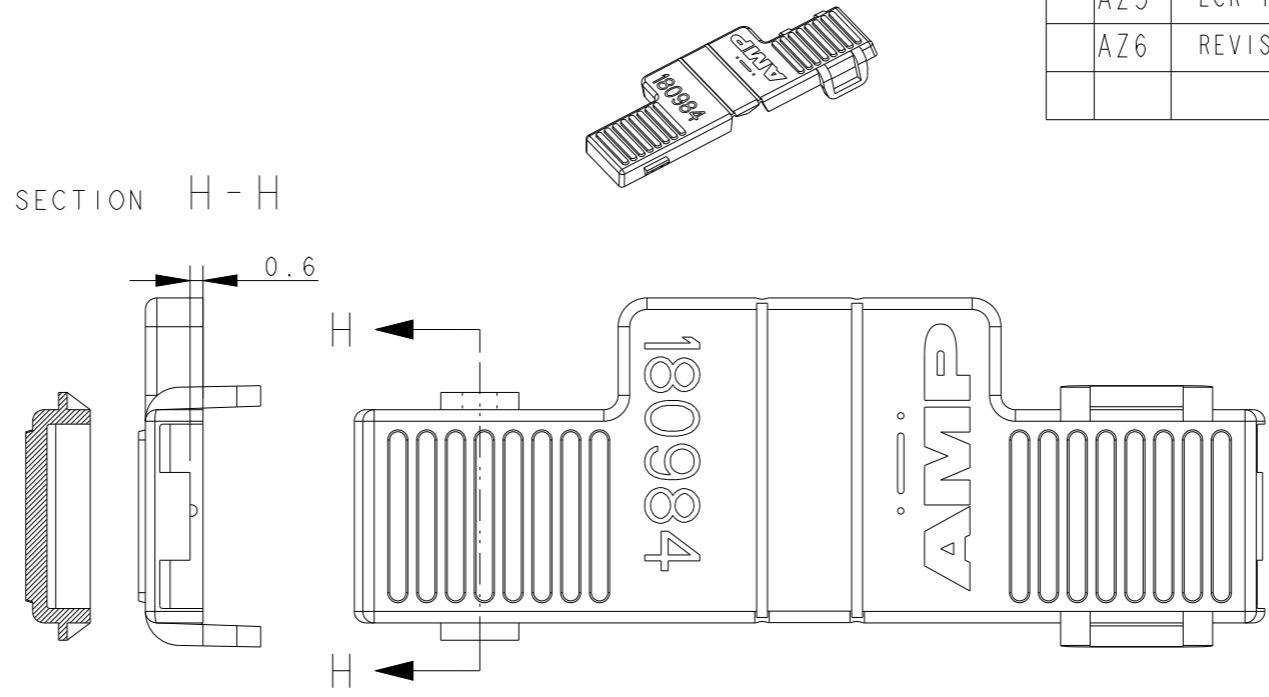
TE AMP DO BRASIL VARIATION

P/N.s INVOLVED:
1-180984-0
1-180984-1
1-180984-2



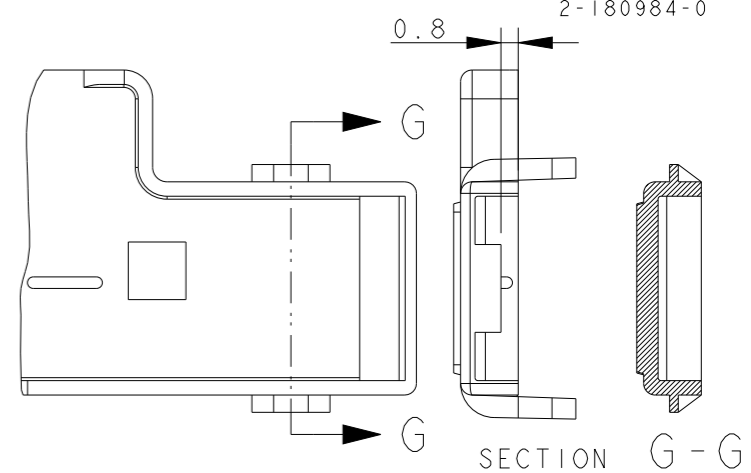
TE AMP SPAIN VARIATION

P/N.s INVOLVED:
7-180984-0
7-180984-5



TE AMP GERMANY VARIATION

P/N.s INVOLVED:
0-180984-0
0-180984-1
0-180984-5
2-180984-0



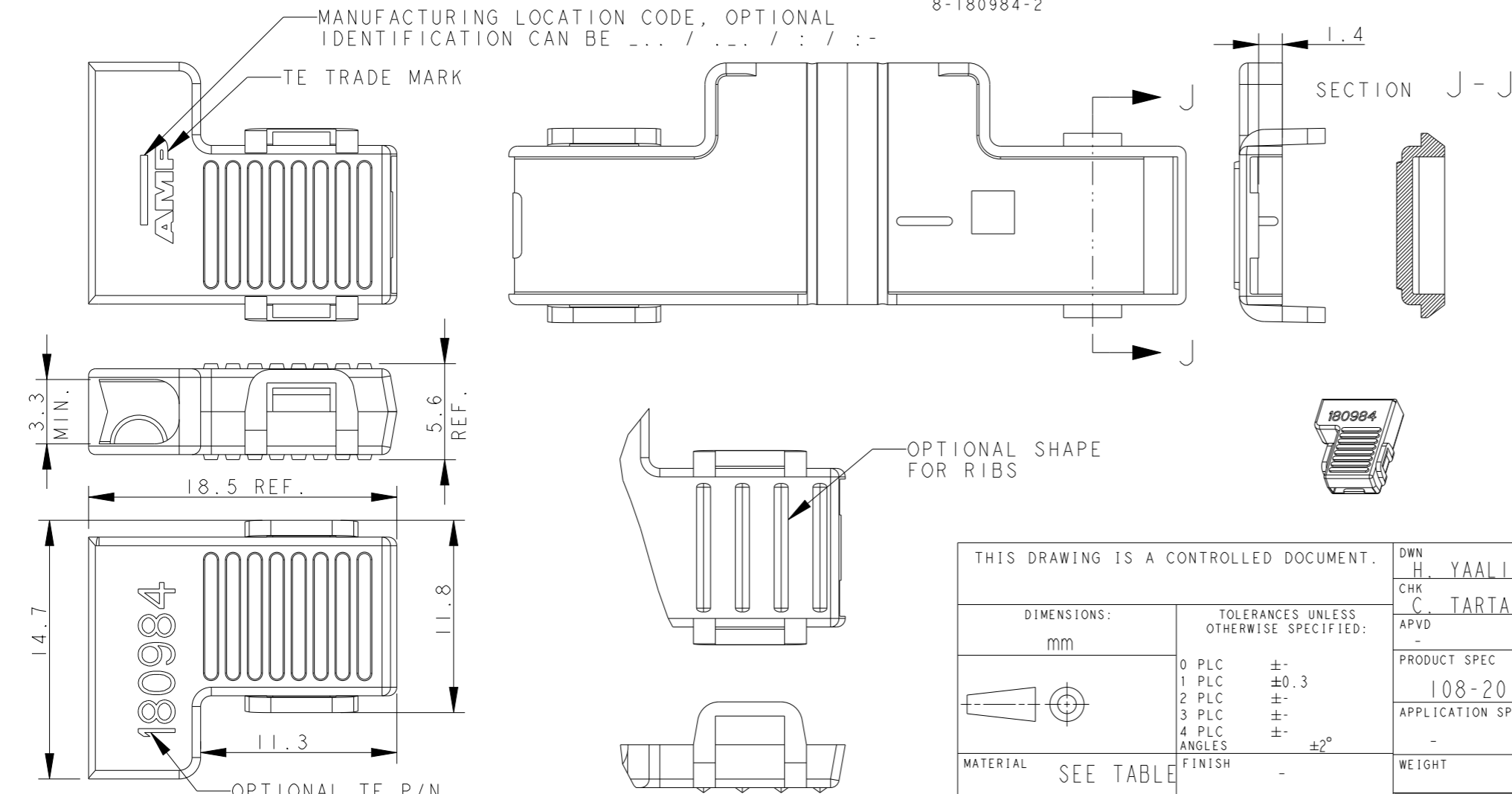
STANDARD VERSION AND TE AMP ITALY PRODUCTION

P/N INVOLVED:
8-180984-0
8-180984-1
8-180984-2

1) ADATTO PER TERMINALI FEMMINA FLAG FASTON 6.3 mm sr.
Es.: P/N.s 180464-..., 280050-..., 282181-..., 282184-...
(SUITABLE FOR FLAG FASTON .250" sr., RECEPTACLE CONTACTS
Ex.: P/N.s 180464-..., 280050-..., 282181-..., 282184-...)

2) CONDIZIONE DI FORNITURA (SUPPLY CONDITION)

3) PRODUCT IN ACCORDANCE TO IEC 60335-1 NORM.



3	NATURALE (NATURAL)	PA 6 UNFILLED UL94-V2	8-180984-2	AZ
	NERO (BLACK)	PA 6.6 UL 94-V0	8-180984-1	AY
	NATURALE (NATURAL)	PA 6.6 UNFILLED (UL 94-V2)	8-180984-0	AY
	NERO (BLACK)	ULTRAMID A3W	7-180984-5	AY
	NATURALE (NATURAL)		7-180984-0	AY
	NERO (BLACK)		2-180984-0	AY
	ROSSO (RED)		1-180984-2	AY
	NATURALE (NATURAL)	PA 6.6 UNFILLED (UL 94-V2)	1-180984-1	AY
	NERO (BLACK)		1-180984-0	AY
	ROSSO (RED)		0-180984-5	AY
	NATURALE (NATURAL)		0-180984-1	AY
			0-180984-0	AY
NOTE	COLORE (COLOUR)	MATERIALE (MATERIAL)	NUMERO (P/N)	REV

THIS DRAWING IS A CONTROLLED DOCUMENT.

DWN H. YAALI 18SEP2002
CHK C. TARTARI
APVD -
PRODUCT SPEC 108-20109
APPLICATION SPEC -
WEIGHT -

TE TE Connectivity

NAME FLAG FASTON BOOT .250 SERIES

SIZE A3 CAGE CODE 00779 DRAWING NO C-180984 RESTRICTED TO

CUSTOMER DRAWING SCALE 3:1 SHEET 1 OF 1 REV AZ6