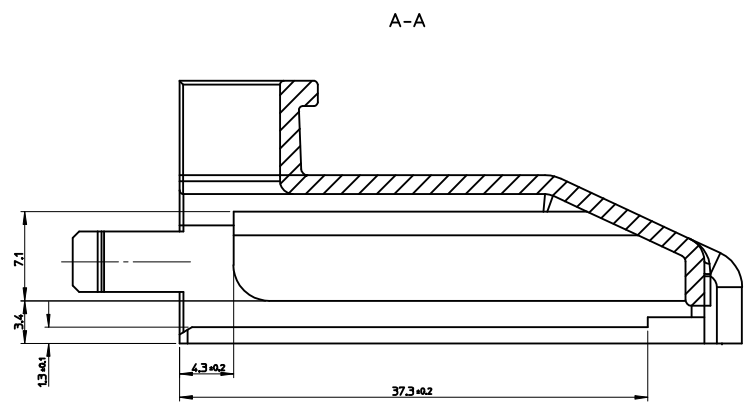
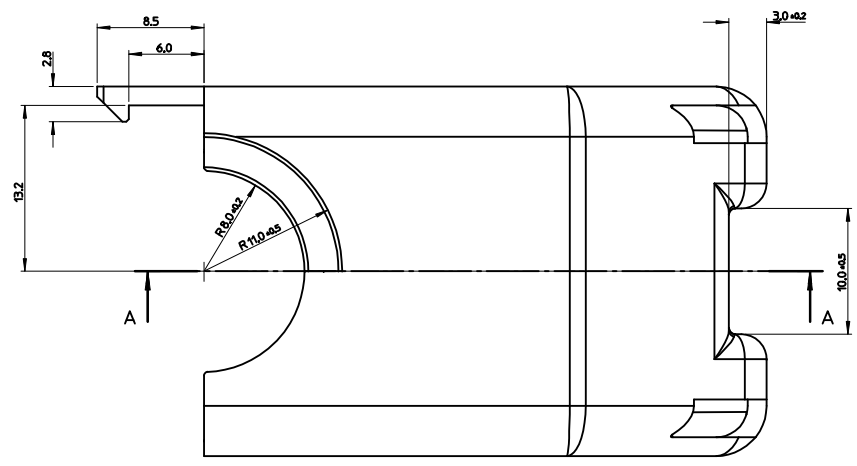
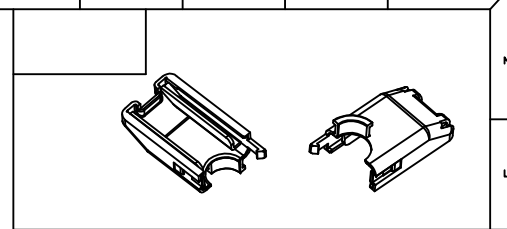
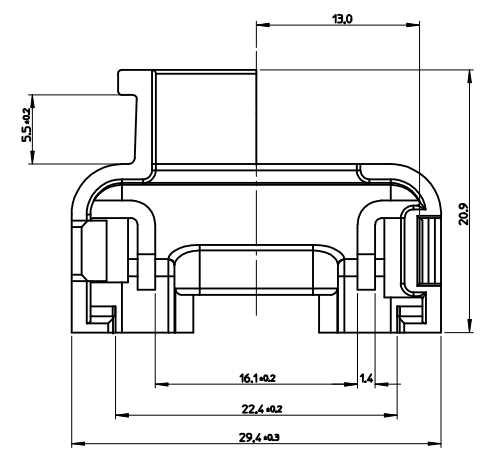
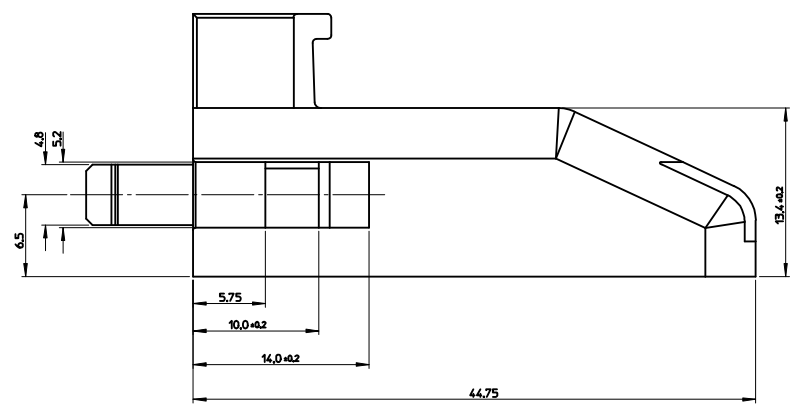


DELPHI P/N	MOLEX P/N	WATERPROOF	COLOUR	MATERIAL	WEIGHT	PARTS PER FEMALE CONNECTOR
10768624	98670-0001	NO	BLACK	SPS GF20	5.39 / PART	2



A-A

General Tolerances DIN 16901 - 130
ISO 2768 - mH

EC NO: G2001-0173 DRWN: JGURAT 2001/03/12 CHKD: MIEZARE 2001/03/12 APPR: HDIETZ 2001/03/12	QUALITY SYMBOLS ▽ 0 ∇ 0	GENERAL TOLERANCES (UNLESS SPECIFIED) 4 PLACES ± --- ± --- 3 PLACES ± --- ± --- 2 PLACES ± --- ± --- 1 PLACE ± --- ± --- ANGULAR ± 1 ° DRAFT WHERE APPLICABLE MUST REMAIN WITHIN DIMENSIONS	SCALE 5:1	DESIGN UNITS METRIC	FIRST ANGLE PROJECTION	REVISE ON CAD ONLY
			DIMENSION STYLE MM ONLY		TITLE CABLE CAP	
			DRAWN BY JGU	DATE	MOLLEX MOLEX INCORPORATED	
			CHECKED BY MCI	DATE	MATERIAL NO. SEE TABLE	DOCUMENT NO. SD-98670-001
A1	REV		APPROVED BY HDI		THIS DRAWING CONTAINS INFORMATION THAT IS PROPRIETARY TO MOLEX INCORPORATED AND SHOULD NOT BE USED WITHOUT WRITTEN PERMISSION	