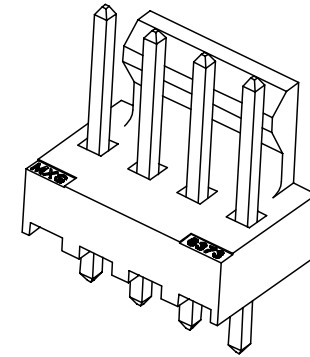
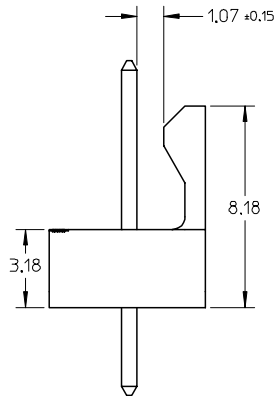
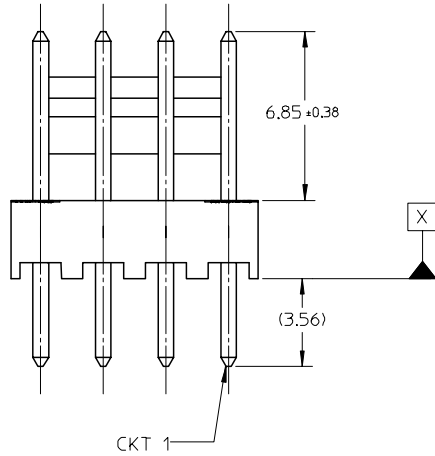
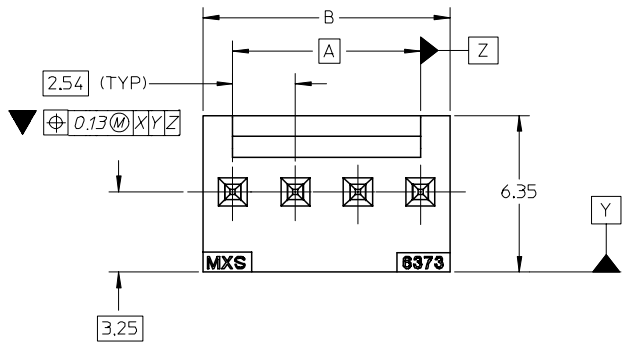


ASSEMBLY P/N	CKT SIZE	DIM. A	DIM. B
45661-1004	4	7.62	10.00



NOTES:

1. MATERIAL: NYLON, UL 94V-0, COLOR: WHITE
2. FINISH: 0.75um/30uin MIN. GOLD IN CONTACT AREA AND 1.88um/75uin MIN TIN IN SOLDER TAIL AREA OVER 1.25um/50uin MIN. NICKEL OVERALL.
3. PRODUCT SPECIFICATION: PS-10-07

EC NO: S2005-0361 DRAWN: BOKOK CHKD: CGOH APPR: SLOW	REV A	DESCRIPTION 2004/11/10 2004/11/10 2004/11/27	QUALITY SYMBOLS ▽=1 ▽=0	GENERAL TOLERANCES (UNLESS SPECIFIED)		DIMENSION STYLE MM ONLY		SCALE NTS	DESIGN UNITS METRIC	THIRD ANGLE PROJECTION				
				4 PLACES ± --- ± ---	3 PLACES ± --- ± ---	2 PLACES ± 0.25 ± ---	1 PLACE ± 0.38 ± ---	ANGULAR ± 3 °	DRAWN BY BOKOK	DATE 2004/10/20	TITLE SALES DRAWING KK 100 HEADER FRLK WITH MULTIPLY MATING	DRAWN BY CGOH	DATE 2004/10/26	APPROVED BY SLOW
DRAFT WHERE APPLICABLE MUST REMAIN WITHIN DIMENSIONS				SIZE A3		THIS DRAWING CONTAINS INFORMATION THAT IS PROPRIETARY TO MOLEX INCORPORATED AND SHOULD NOT BE USED WITHOUT WRITTEN PERMISSION								