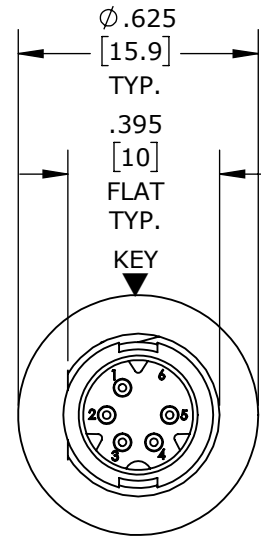


MFG. ENG.	APPROVED BY:	DATE:	QA	APPROVED BY:	DATE:
-----------	--------------	-------	----	--------------	-------

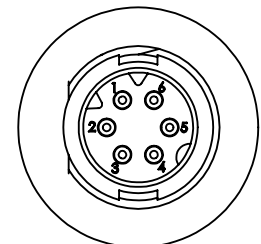
PART NO.	NO. OF PINS
W17982-5PG-P-300	5
W17982-6PG-P-300	6
W17982-7PG-P-300	7

NOTES:

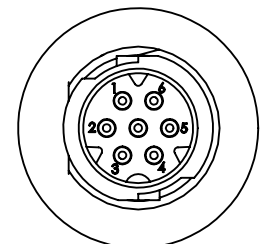
1. ALL PARTS ARE BULK PACKED.
2. REFER TO DRAWING HPMSTD FOR CONTACT PATTERNS.
3. ALL DIMENSIONS ARE REFERENCE ONLY IN INCHES [mm], WITHIN ±0.015 UNLESS OTHERWISE NOTED.



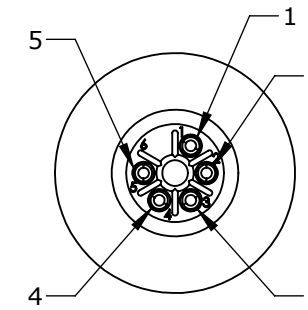
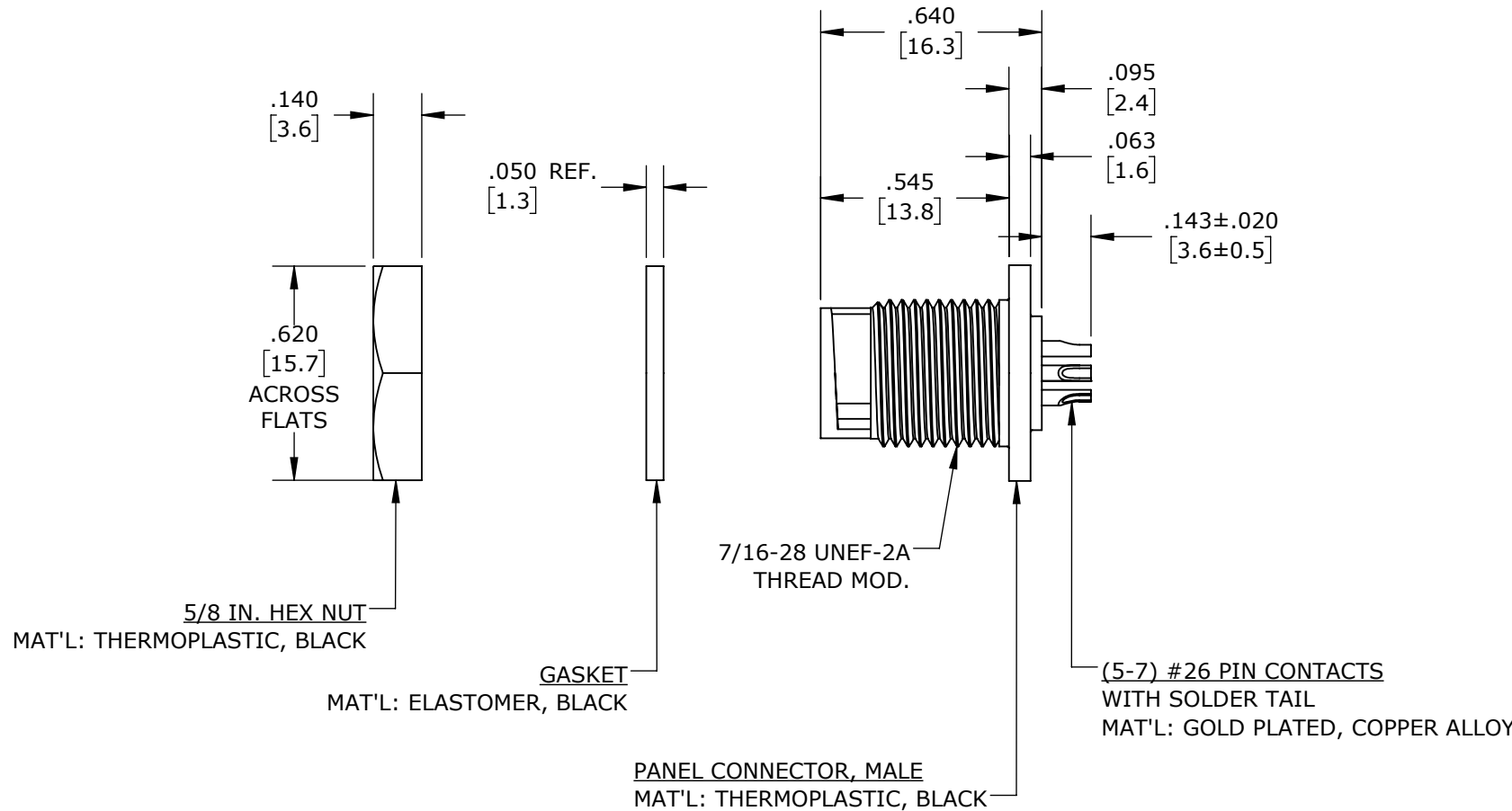
FACE VIEW
W17982-5PG-P-300
5 POSITION
A-KEY



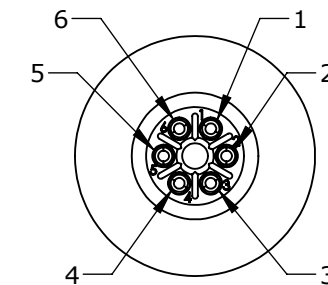
FACE VIEW
W17982-6PG-P-300
6 POSITION
B-KEY



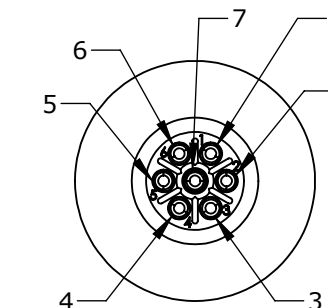
FACE VIEW
W17982-7PG-P-300
7 POSITION
A-KEY



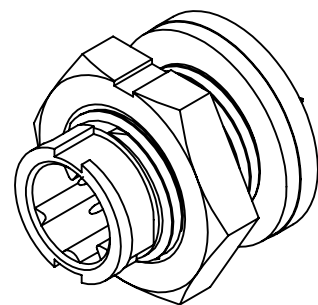
WIRE VIEW
W17982-5PG-P-300



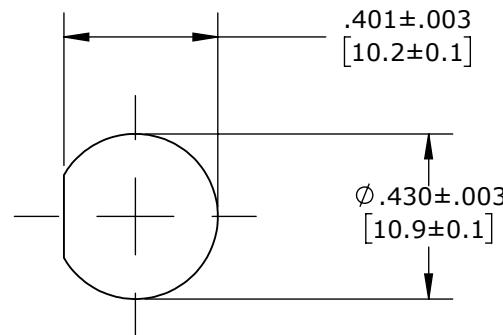
WIRE VIEW
W17982-6PG-P-300



WIRE VIEW
W17982-7PG-P-300



ASSEMBLED VIEW
FOR CUSTOMER REF. ONLY



RECOMMENDED PANEL CUTOUT

CUSTOMER APPROVAL

THIS DOCUMENT CONTAINS CONFIDENTIAL INFORMATION PROPRIETARY TO CONXALL CORPORATION. ANY REPRODUCTION, DISCLOSURE, OR USE OF THIS DOCUMENT /INFORMATION IS EXPRESSLY PROHIBITED UNLESS AUTHORIZED IN WRITING BY CONXALL CORPORATION.

APPROVED BY: _____
DATE: _____

RoHS COMPLIANT

PRELIMINARY

DIMENSIONS IS BRACKETS [] ARE METRIC

0A	JGK	8/14/19	DRAWING CREATED FOR PDR #18004.		
REV.	INIT.	DATE	DESCRIPTION		
			ORIG. DRAWN BY: JGK	DATE: 8/14/19	<p>601 E. WILDWOOD VILLA PARK, IL 60181</p>
<small>ALL INFORMATION ILLUSTRATED IS THE PROPERTY OF CONXALL CORPORATION. UNAUTHORIZED DUPLICATION OR DISTRIBUTION OF THIS DOCUMENT IS PROHIBITED.</small>			CHECKED BY:		
<small>ALL UNITS ARE IN FEET, INCHES, FRACTION OF INCHES AND DECIMALS.</small>			APPROVED BY:		TITLE: PANEL MOUNT ASSEMBLY (5-7) #26 PIN CONTACTS, SOLDER CUP INSTA-CLICK, MICRO-CON-X STANDARD PRODUCT
<small>UNLESS OTHERWISE SPECIFIED TOLERANCES: 3 PLACE DECIMALS ±.005 ANGLES ±1° FRACTIONS ±1/16</small>			SCALE: NTS	SIZE: B	SHEET: 1 OF 1
<small>▷ = CRITICAL CHARACTERISTIC FLAG PER SPEC. XXXX</small>			FILE: W17982-XPG-P-300	DIRECTORY: SLW	CUSTOMER: W17982-XPG-P-300
					REV: 0A

CUSTOMER PRINT

PART NUMBER: W17982-XPG-P-300