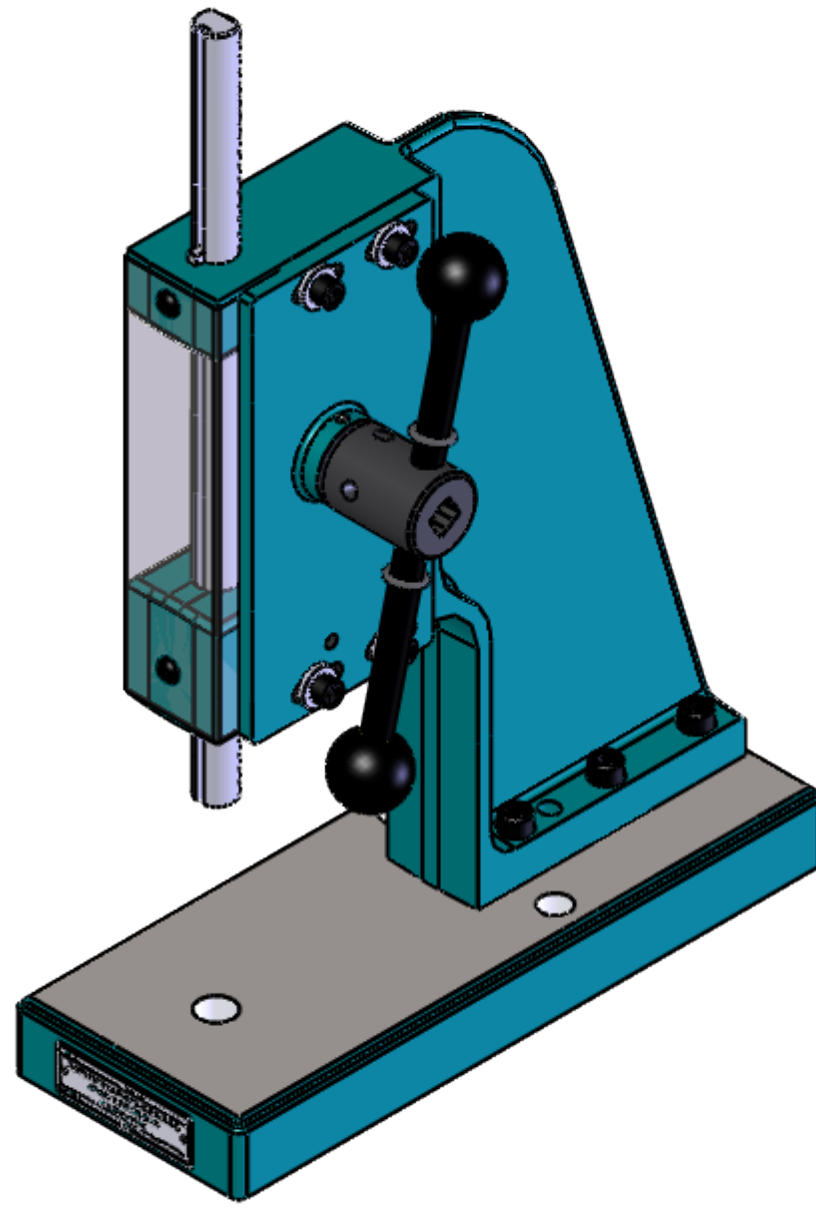
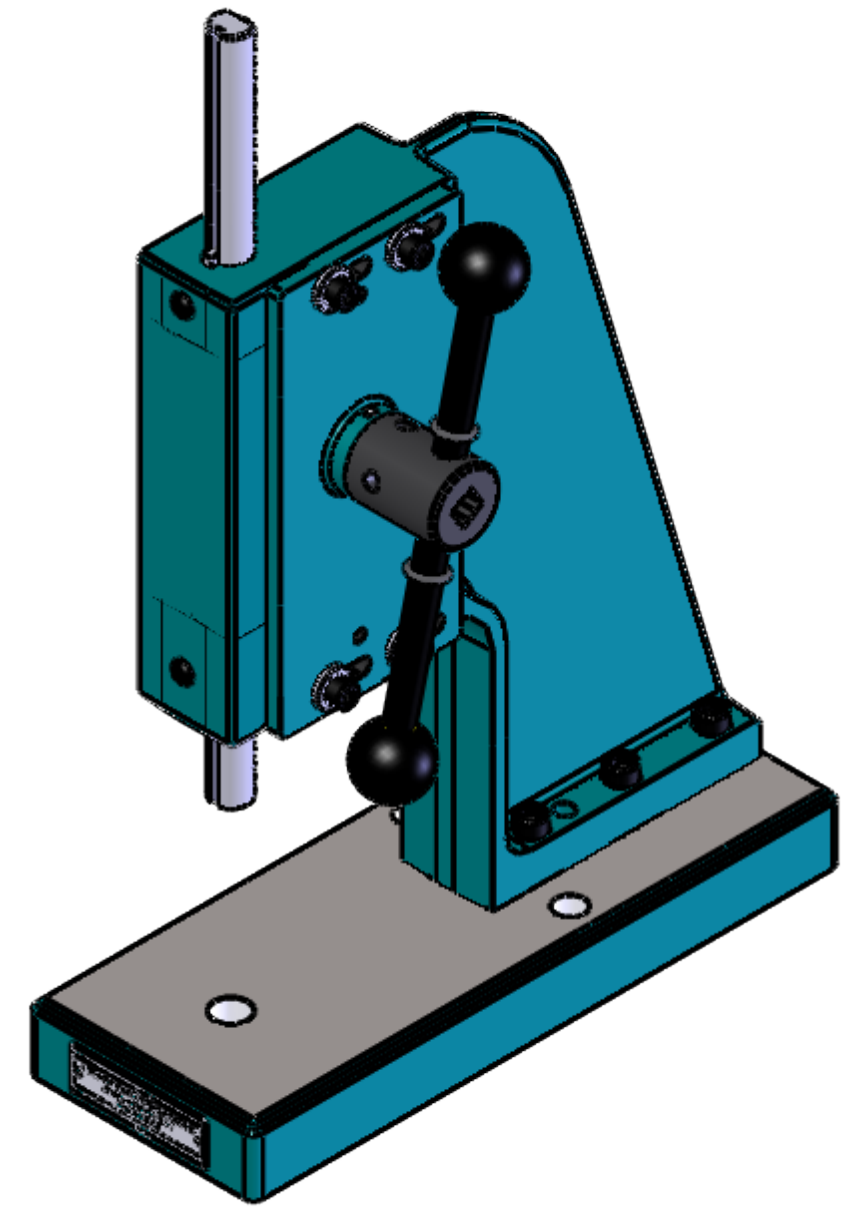


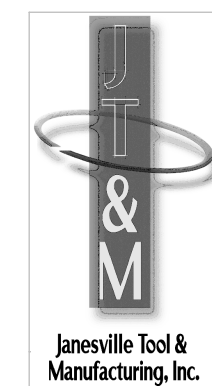
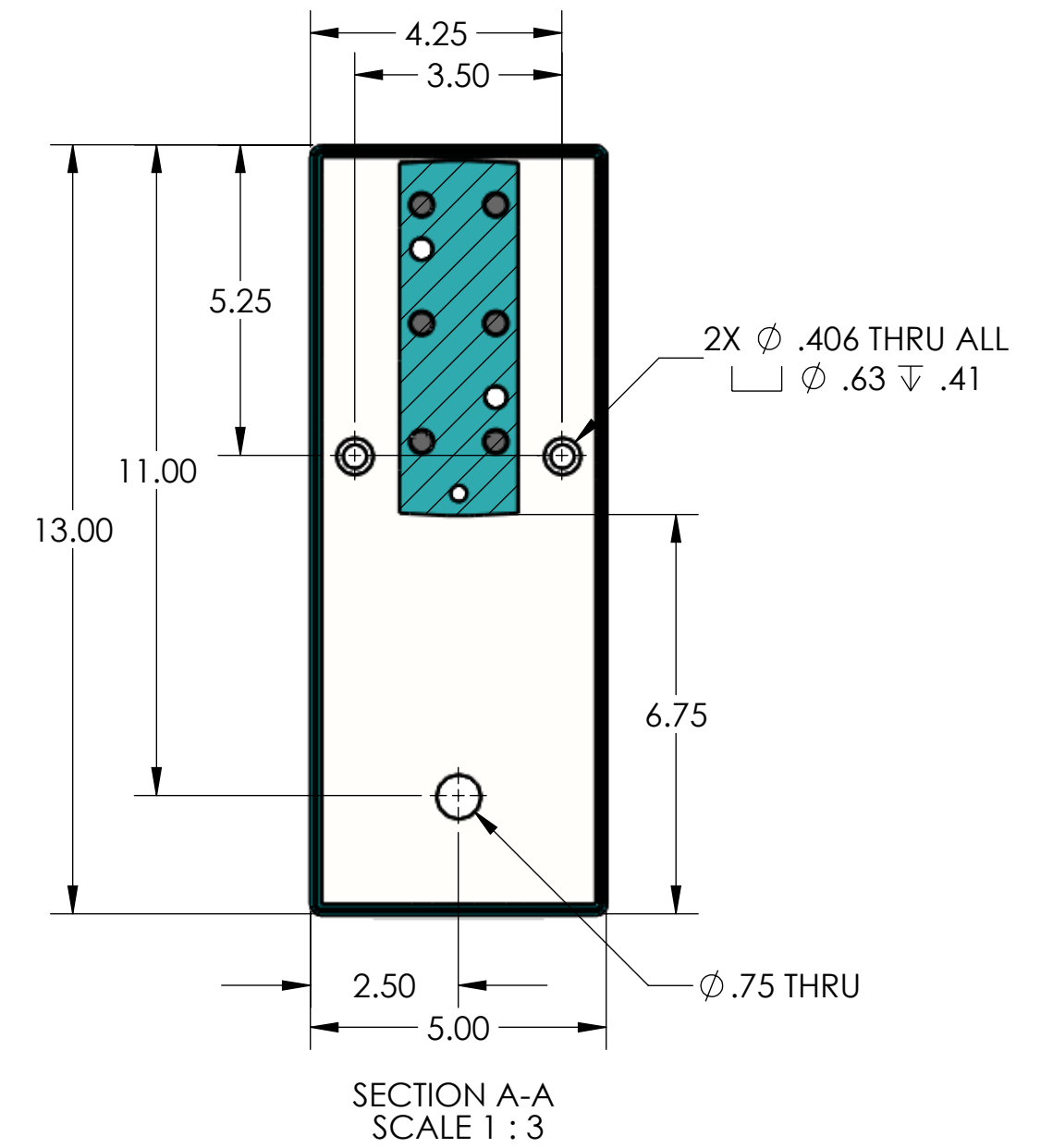
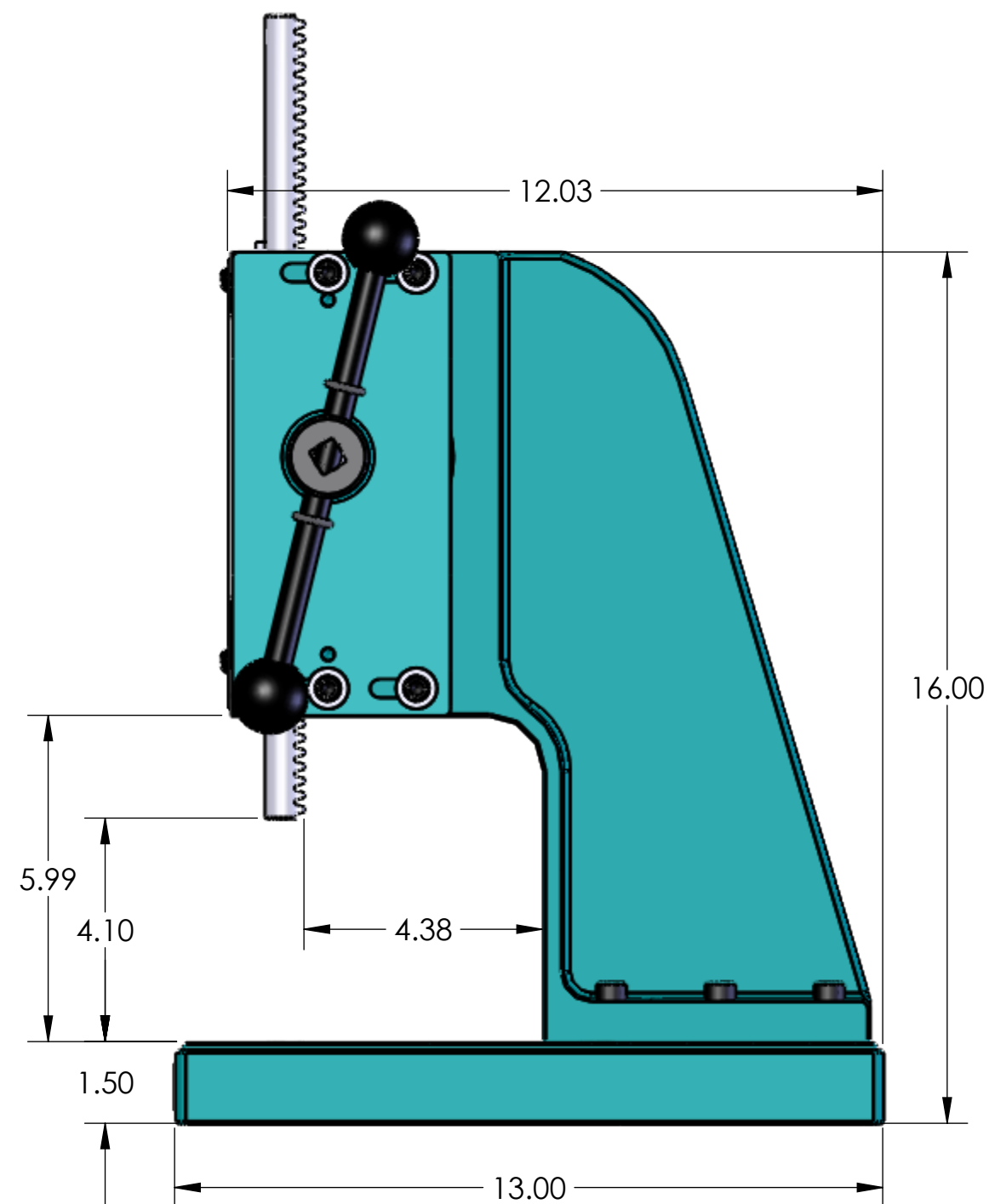
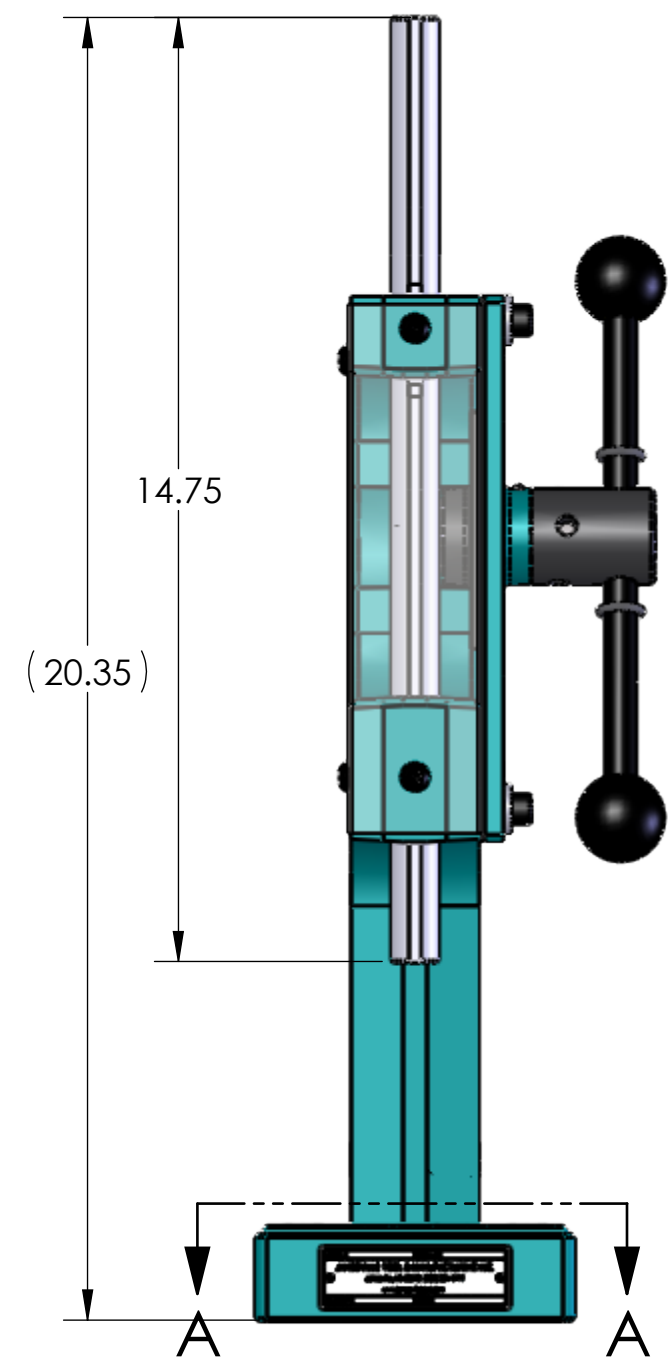
T-963



T-965



T-967



**Janesville Tool & Manufacturing Inc.**  
3930 Enterprise Drive  
Janesville, WI 53546  
Phone: 608-314-1620, Fax 608-314-1625  
TITLE:  
**GEAR DRIVE PRESS**  
SIZE DWG. NO. REV  
**C** T-963/T-965/T-967  
SCALE: 1:8 WEIGHT: 55.17 SHEET 1 OF 1