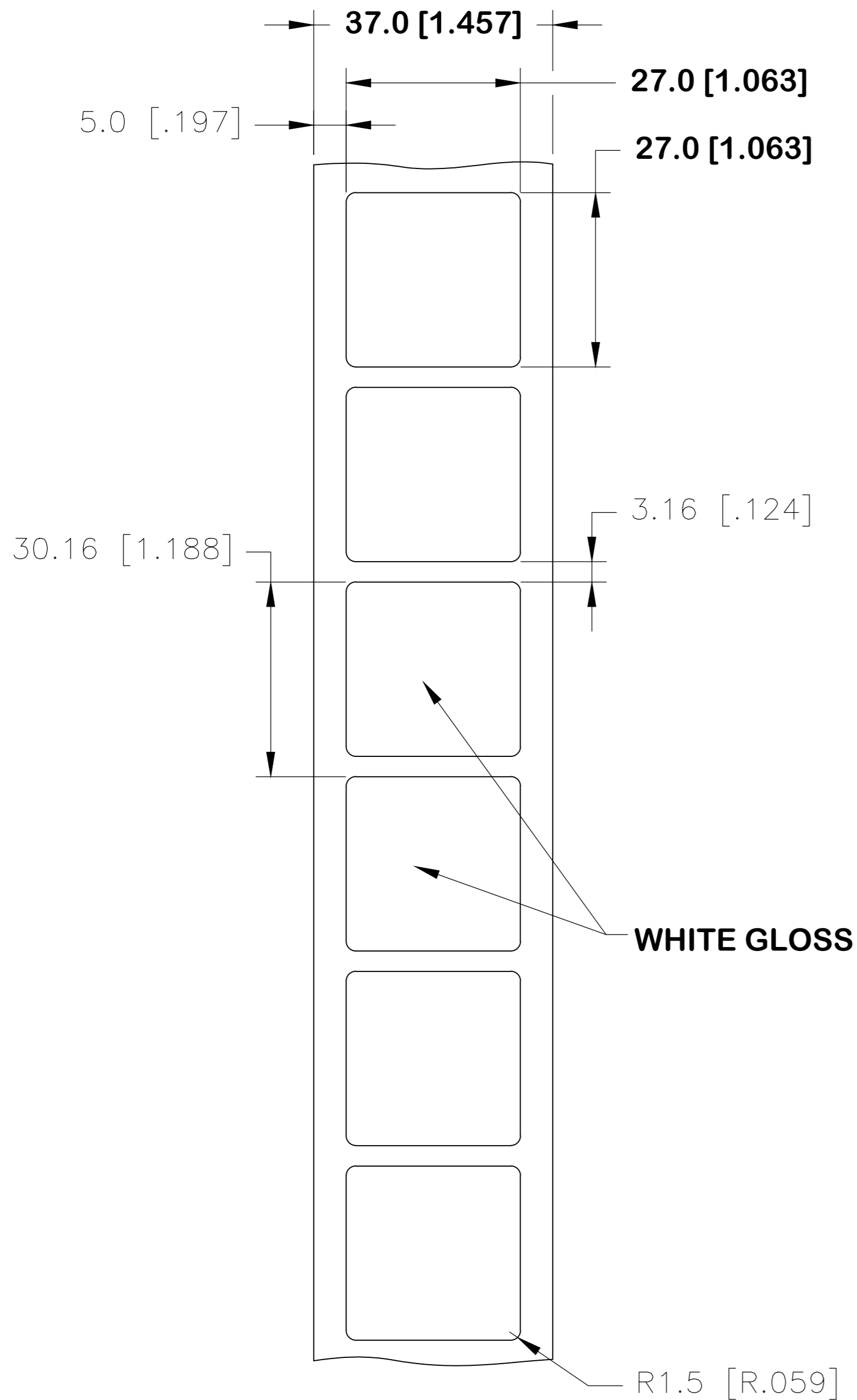
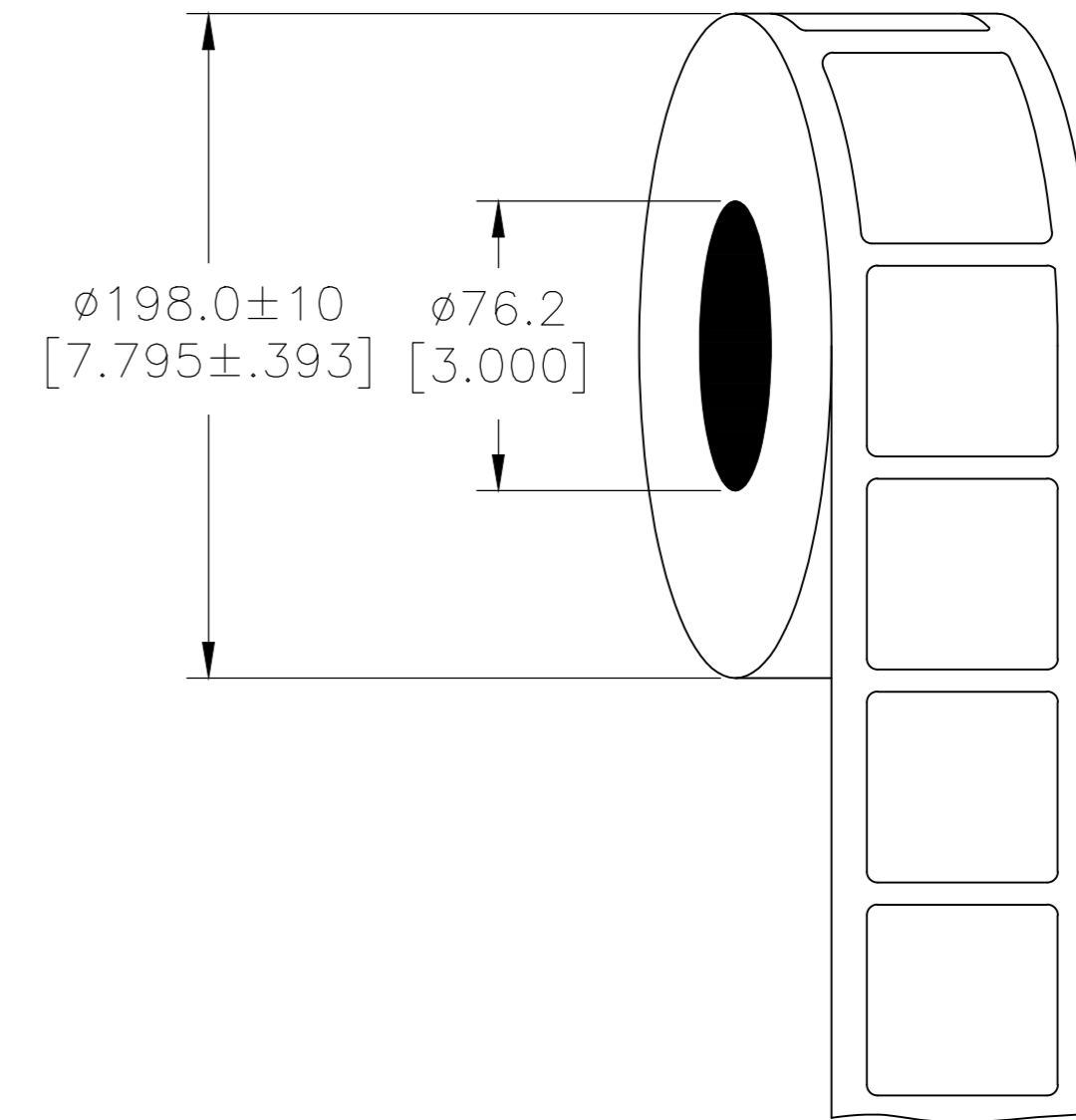


| REVISIONS |     |                  |           |     |      |
|-----------|-----|------------------|-----------|-----|------|
| P         | LTR | DESCRIPTION      | DATE      | DWN | APVD |
|           | A   | NEW DRAWING      | 21SEP2017 | GK  | DB   |
|           | A1  | UL TABLE UPDATED | 06JUN2018 | GK  | DB   |

### LABEL AND LINER DESIGN



### PRESENTATION



**OUTSIDE WOUND LABEL ACROSS: 1 PER ROLL QTY: 1000**

All dimensions in mm [Inch]

**TE PN: 2322816-1**

| UL-MARKING AND LABELLING SYSTEMS   |                             |                             |
|--|-----------------------------|-----------------------------|
| PGJ12 - Printing Materials - Component (UL 969)                                  |                             |                             |
| PGJ18 - Printing Materials Certified for Canada - Component (CSA C22.2 No. 0.15) |                             |                             |
| File: MH17292  | Product design: <b>PL-9</b> | Ribbon: TTB-XXXSC/YYYYAQ529 |

| TOLERANCES mm [INCH] |                   |
|----------------------|-------------------|
| LABEL HEIGHT:        | $\pm 0.3$ [.012]  |
| LABEL WIDTH:         | $\pm 0.3$ [.012]  |
| WEB WIDTH:           | $\pm 0.5$ [.020]  |
| VERTICAL REPEAT:     | $\pm 0.5$ [.020]* |
| HORIZONTAL REPEAT:   | $\pm 0.5$ [.020]* |
| LABEL POSITIONING:   | $\pm 0.5$ [.020]* |
| LEFT MARGIN:         | $\pm 0.5$ [.020]  |
| QUANTITY:            | -0 % +2 %         |
| *NON ACCUMULATING    |                   |

| THIS DRAWING IS A CONTROLLED DOCUMENT. |  |
|--|--|
| DIMENSIONS: mm [INCHES]                | TOLERANCES UNLESS OTHERWISE SPECIFIED: |
|  | 0 PLC ±                                |
|  | 1 PLC ±                                |
|  | 2 PLC ±                                |
|  | 3 PLC ±                                |
|  | 4 PLC ±                                |
| ANGLES                                 | ±                                      |
| MATERIAL: SEE TABLE                    | FINISH: GLOSSY                         |

|                        |                                   |                           |
|------------------------|-----------------------------------|---------------------------|
| MATERIAL               | POLYESTER WHITE GLOSS             |                           |
| ADHESIVE TYPE          | ACRYLIC PE FOAM                   |                           |
| LINEAR                 | BROWN KRAFT                       |                           |
| DWN: GOPALAKRISHNA HV  | TE Connectivity                   |                           |
| CHK: D.BURGAT          | TE Connectivity                   |                           |
| APVD: D.BURGAT         | TE Connectivity                   |                           |
| PRODUCT SPEC: TTDS-245 | PANEL LABEL-WHITE                 |                           |
| APPLICATION SPEC: -    | 27.0 x 27.0mm [1.063 x 1.063inch] |                           |
| WEIGHT: 0.343g         | SIZE: A2                          | RESTRICTED TO: -          |
| CUSTOMER DRAWING       | CAGE CODE: FB1U7                  | DRAWING NO: PL-027027-1-9 |
| SCALE: NTS             | SHEET: 1 of 1                     | REV: A1                   |