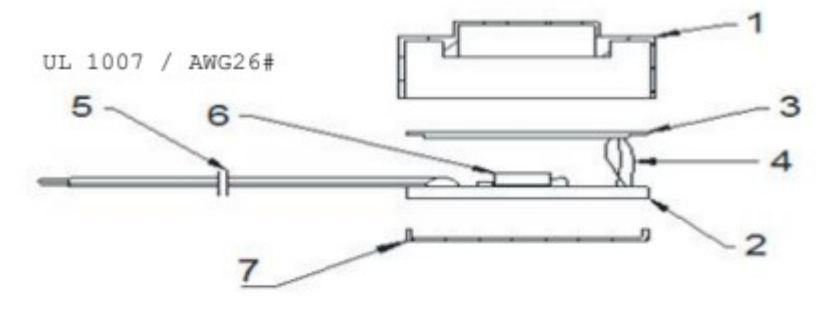
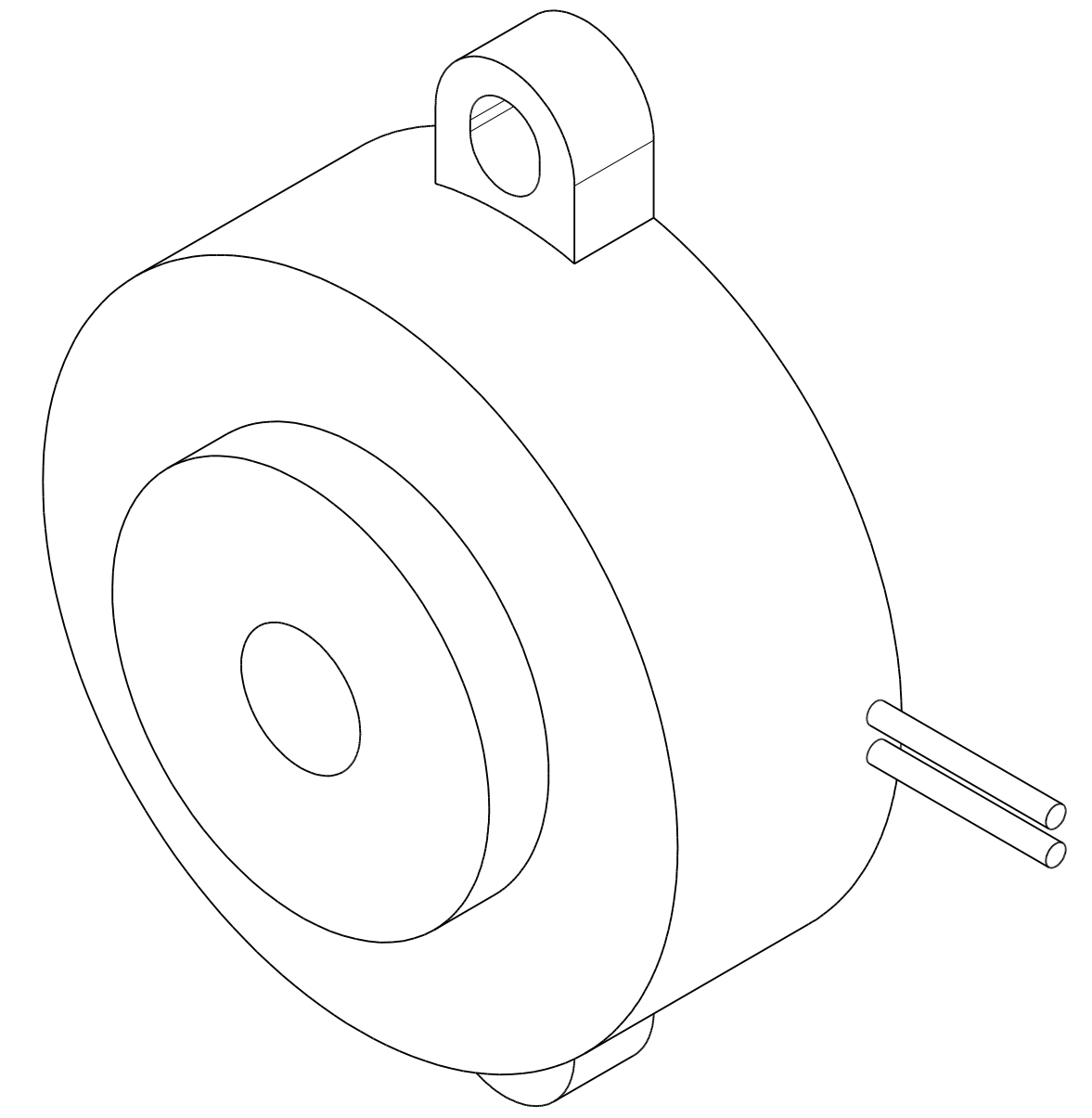
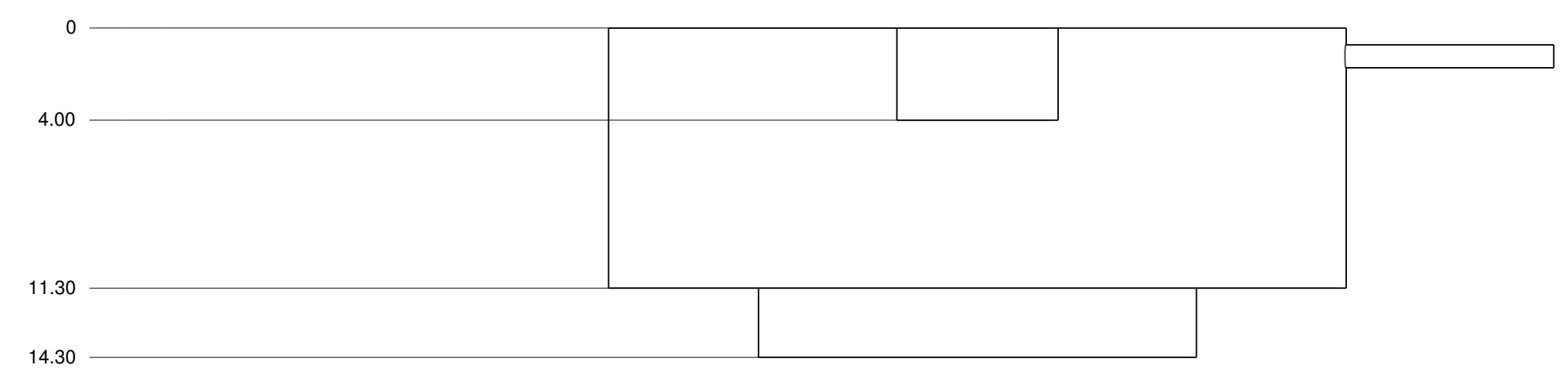


REVISIONS				
ZONE	REV	DESCRIPTION	DATE	APPROVED



No.	Part Name	Material	Quantity
1	Case	ABS	1
2	PCB	Epoxy	1
3	Piezo	Brass + Ceramic	1
4	Wire	Copper	3
5	Wire	UL 1007 AWG26#	2
6	Transistor	Epoxy + Copper	1
7	Cover	ABS	1

