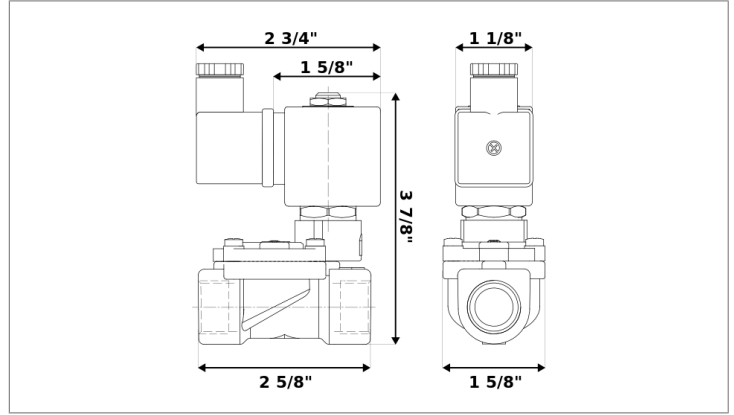


## DKSV255




Normally closed, pilot operated, 2-way solenoid valve with low lead brass body and 1/2" connections



| Valve                |                                       |
|----------------------|---------------------------------------|
| Pipe size:           | 1/2" NPT                              |
| Operating pressure:  | 3–230 psi                             |
| Flow coefficient:    | 4.9 Cv                                |
| Media temperature:   | 15–180 °F                             |
| Ambient temperature: | 15–105 °F                             |
| Suggested usage:     | Potable water                         |
| Operation:           | 2-way, normally closed solenoid valve |
| Mechanism:           | Pilot operated                        |
| Manual override:     | No                                    |
| Pipe gender:         | Female                                |
| Orifice size:        | 1/2"                                  |
| Design pressure:     | 360 psi                               |
| Media viscosity:     | 12 cSt                                |

| Electrical           |                     |
|----------------------|---------------------|
| Power:               | 24 V dc             |
| Wattage:             | 8 W                 |
| Connection:          | Cable gland (PG9)   |
| Consumption:         | 0.33 A              |
| Voltage tolerances:  | +10% -5%            |
| Coil inner diameter: | 1/2"                |
| Coil molding:        | Polyamide (PA)      |
| Coil rating:         | 15–310 °F (Class F) |
| Duty cycle:          | Continuous, 100% ED |
| Enclosure:           | NEMA 4, IP65        |

| Materials     |                     |
|---------------|---------------------|
| Body:         | Low lead brass      |
| Seal:         | EPDM rubber (EPDM)  |
| Orifice:      | Low lead brass      |
| Core tube:    | Stainless steel 300 |
| Fixed core:   | Stainless steel 400 |
| Plunger:      | Stainless steel 400 |
| Spring:       | Stainless steel 300 |
| Shading ring: | Copper              |

| Spare parts  |  |  |
|--|--|--|
| CORE TUBE  | REPAIR KIT   | COIL/CONNECTOR   |
| AT-N0E1  | RK-W0E1-02   | C-D29  |
|           |         |                     |
| <ul style="list-style-type: none"> <li>Core tube</li> <li>Plunger</li> <li>O-ring</li> </ul> | <ul style="list-style-type: none"> <li>Diaphragm</li> <li>O-ring</li> <li>Plunger</li> </ul> | <ul style="list-style-type: none"> <li>24 V dc electrical coil</li> <li>Cable gland connector</li> </ul> |