

Specifications

Electrical Ratings	1/2 hp @ 125VAC/250VAC; T120 10.1A @ 277VAC resistive; T120 10.1A @ 125VAC inductive; T120	Contact Resistance	≤ 20mΩ initial
Evaluated to UL 61058-1		Actuation Force	500 ± 100gF
Evaluated to UL 1054	16A @ 125VAC/250VAC resistive; T120 6A @ 125VAC/250VAC general purpose; T120 5A @ 125VAC inductive; T120	Actuation Travel	3.2 ± .25mm
Electrical Life	100,000 cycles average	Dielectric Strength	2,000Vrms min @ sea level contact to contact 2,000Vrms min @ sea level to LED
		Insulation Resistance	≥ 1,000MΩ min @ 500VDC
		Sealing Degree	IP67
		Operating Temperature	-40°C to 85°C
		Storage Temperature	-40°C to 85°C

Materials

Actuator	Stainless Steel, Anodized Aluminum
LED Lens	Polycarbonate (PC)
Threaded Housing	Stainless Steel, Anodized Aluminum
Terminal Support	Polybutylene Terephthalate (PBT)
Snap Action Switch Base / Cover	Polybutylene Terephthalate (PBT), UL94-V0
Snap Action Switch Pin Plunger	Polybutylene Terephthalate (PBT), UL94-V0
Snap Action Switch Contacts	Silver Alloy
Snap Action Switch Terminals	Silver plated Copper Alloy
Snap Action Switch Support Frame	POM
Hardware	One Hex Nut & one "O" Ring supplied

Combining the LED illumination and metal body of the DH Series switch with the UL recognized switching capability of the VM3 Series snap-action switch.

DHU

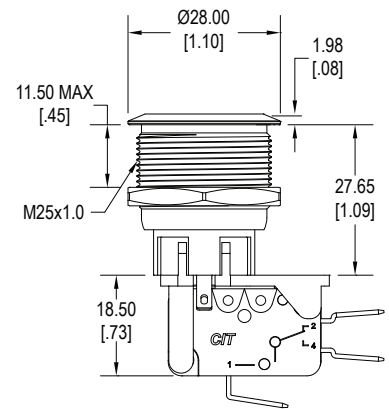
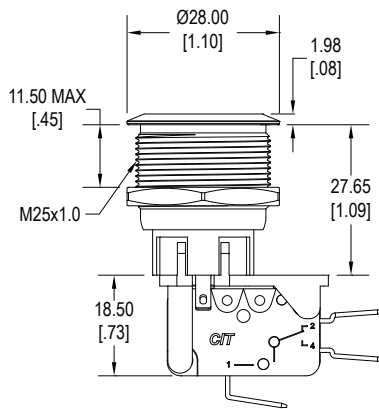
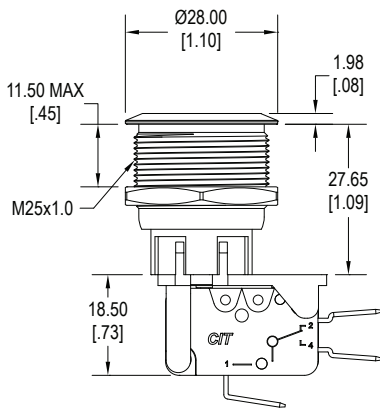
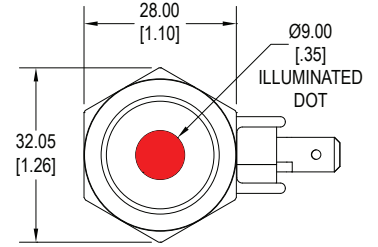
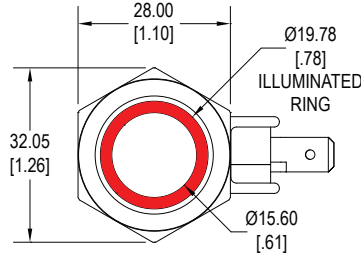
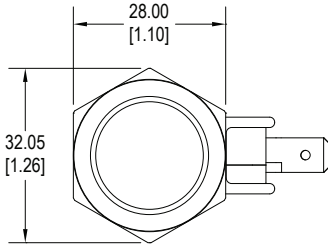
UL Approved Illuminated Pushbutton

Ordering Information

1. Series	DHU25	1	N	B	S	R	12	B
DHU25 DHU28 DHU30								
2. Number of Poles 1 = SPDT								
3. Bezel Style Blank = Standard Bezel H = Straight Bezel								
4. Latching Option N = Momentary L = Latching								
5. Actuator Style: A = Flush actuator, non-illuminated B = Flush actuator, ring illuminated C = Flush actuator, dot illuminated G = Flush actuator, Int'l standby symbol illuminated <small>only available with DHU25</small> MR = Mushroom actuator, red anodized aluminum <small>only available with DHU25 momentary</small>								
6. Switch Finish S = Brushed Stainless Steel B = Black Anodized Aluminum G = Green Anodized Aluminum R = Red Anodized Aluminum U = Blue Anodized Aluminum Y = Yellow Anodized Aluminum								
7. First LED Color X = No LED R = Red Y = Yellow G = Green B = Blue W = White O = Orange	RO = Red / Orange dual LED RY = Red / Yellow dual LED RG = Red / Green dual LED RB = Red / Blue dual LED OY = Orange / Yellow dual LED OG = Orange / Green dual LED OB = Orange / Blue dual LED YG = Yellow / Green dual LED YB = Yellow / Blue dual LED GB = Green / Blue dual LED							
8. LED Voltage Z = No LED 6 = 6V 12 = 12V N = No internal resistor in series with the LED	24 = 24V 110 = 110V 220 = 220V							
10. Terminal Option A = .187" Quick Connect Switch Terminals and .110" Quick Connect LED Terminals B = .250" Quick Connect Switch Terminals and .110" Quick Connect LED Terminals								

* Contact Factory for other LED options

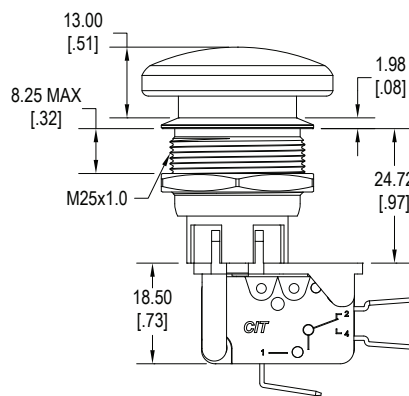
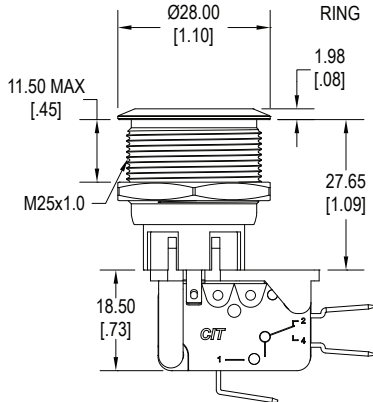
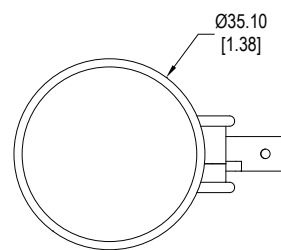
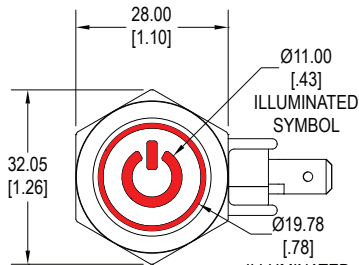
Dimensions - 25mm, Momentary



A - Flush, Non-Illuminated

B - Flush, Ring Illuminated

C - Flush, Dot Illuminated



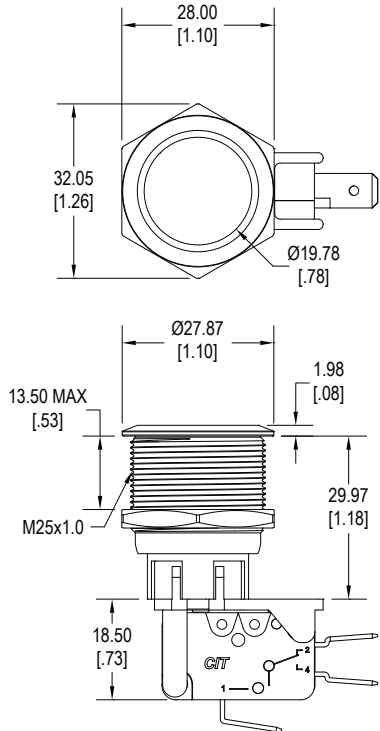
G - Flush, In'tl Standby Symbol

MR - Mushroom Actuator

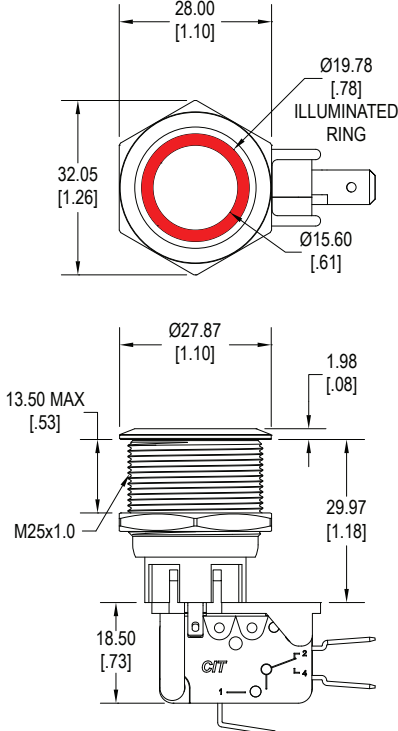
DHU

UL Approved Illuminated Pushbutton

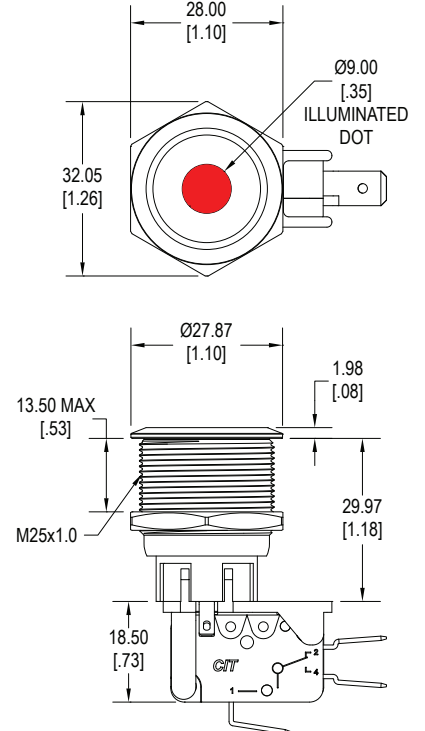
Dimensions - 25mm, Latching



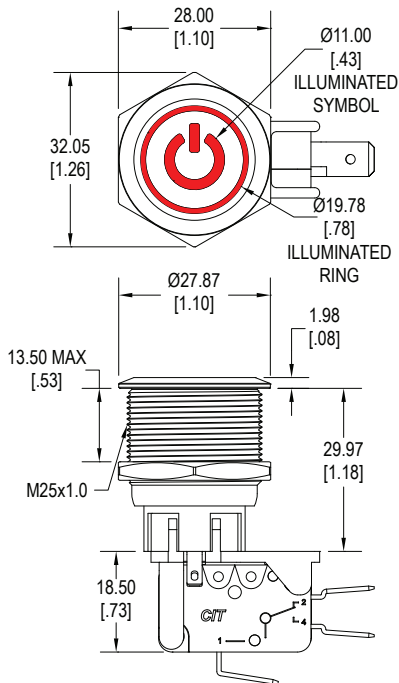
A - Flush, Non-Illuminated



B - Flush, Ring Illuminated

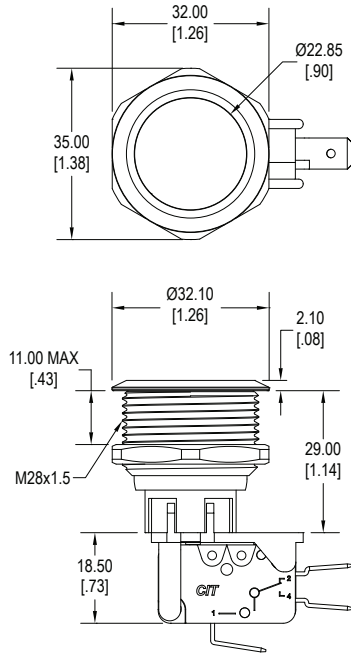


C - Flush, Dot Illuminated

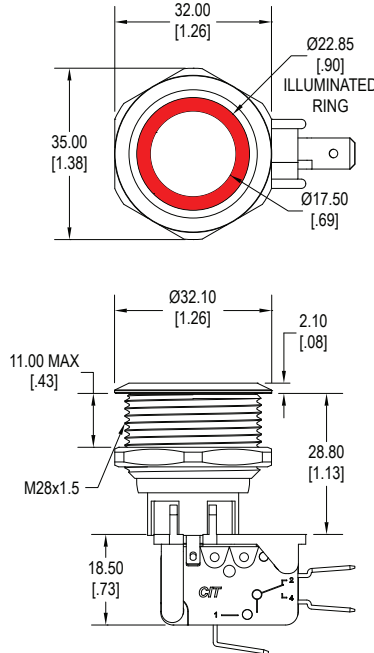


G - Flush, In'tl Standby Symbol

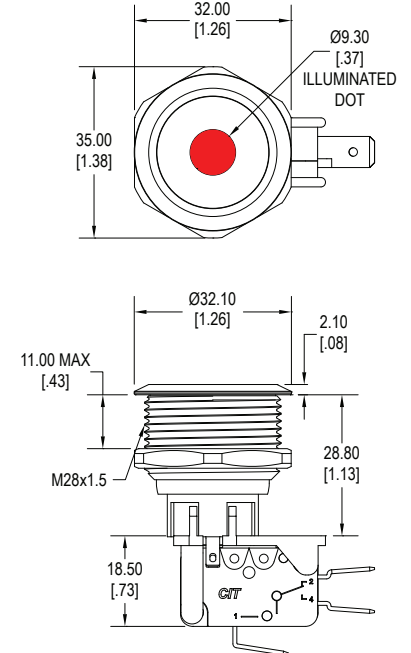
Dimensions - 28mm, Momentary



A - Flush, Non-Illuminated

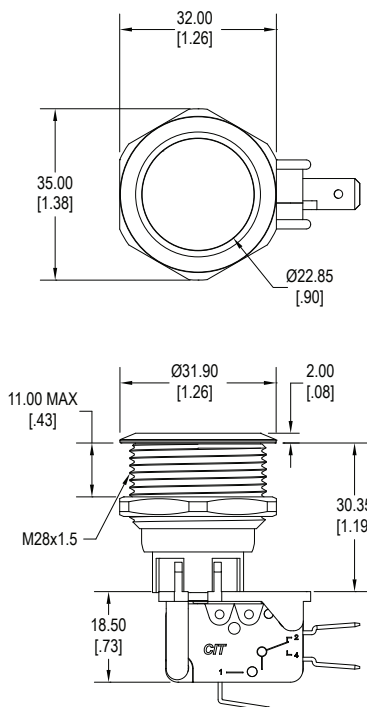


B - Flush, Ring Illuminated

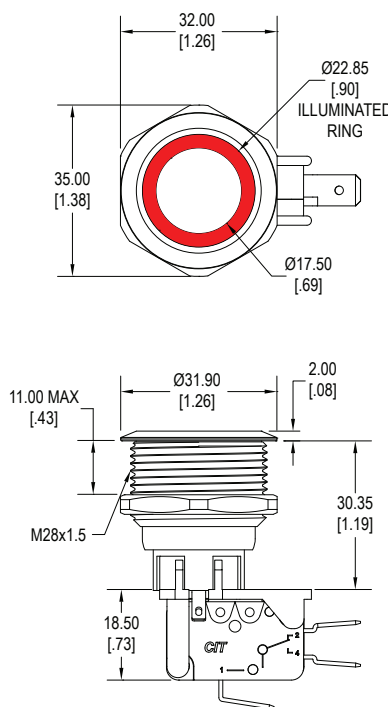


C - Flush, Dot Illuminated

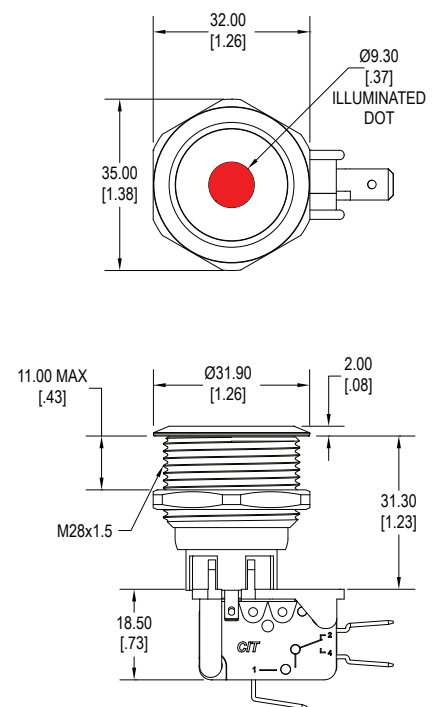
Dimensions - 28mm, Latching



A - Flush, Non-Illuminated



B - Flush, Ring Illuminated

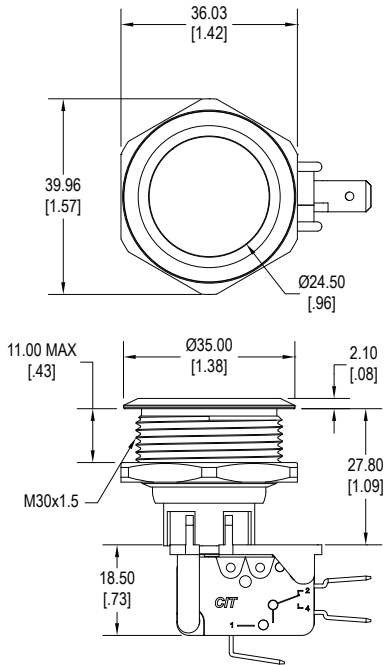


C - Flush, Dot Illuminated

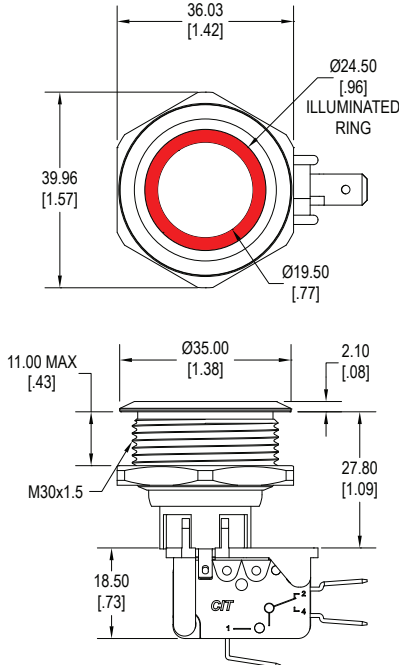
DHU

UL Approved Illuminated Pushbutton

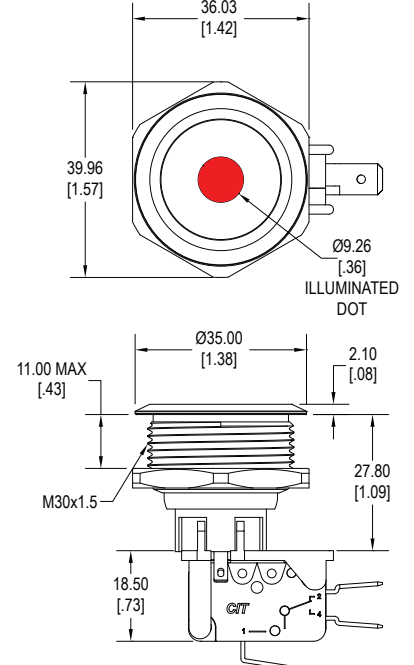
Dimensions - 30mm, Momentary



A - Flush, Non-Illuminated

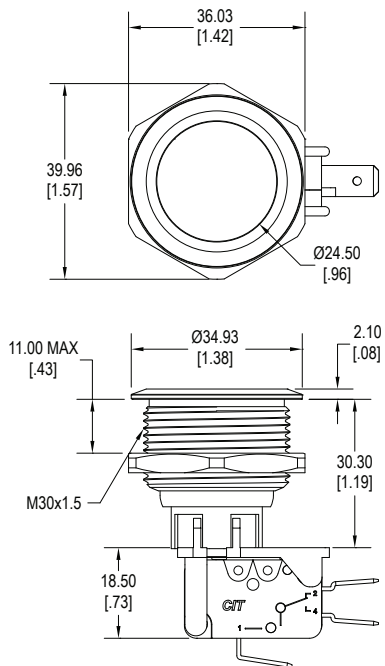


B - Flush, Ring Illuminated

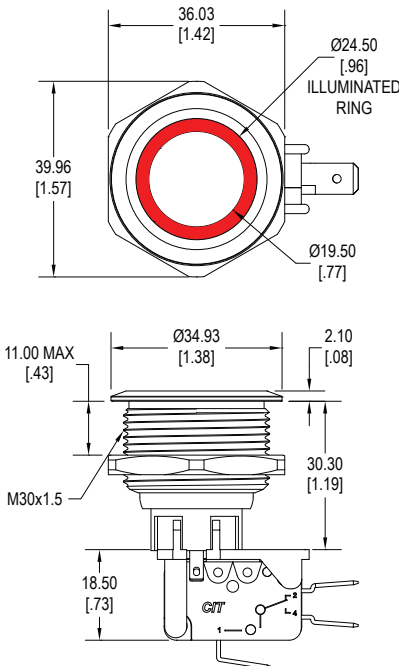


C - Flush, Dot Illuminated

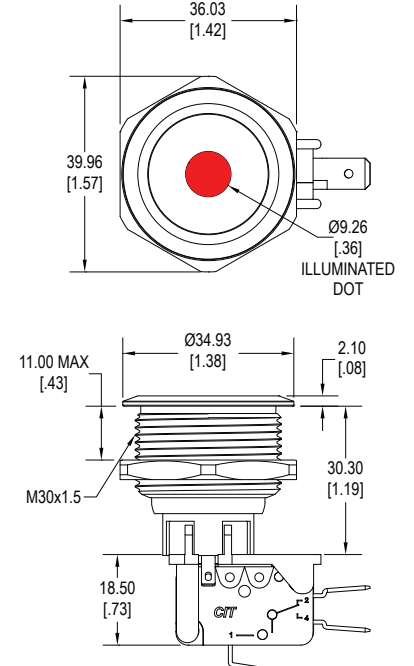
Dimensions - 30mm, Latching



A - Flush, Non-Illuminated



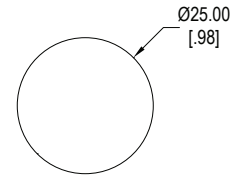
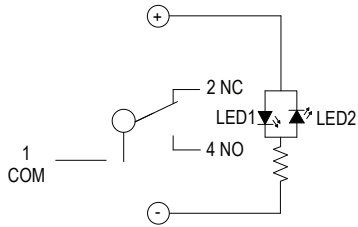
B - Flush, Ring Illuminated



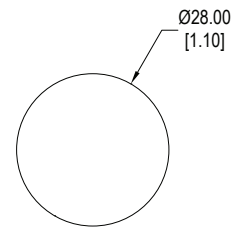
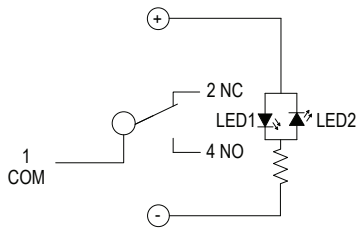
C - Flush, Dot Illuminated

Schematic & Panel Cut-Out

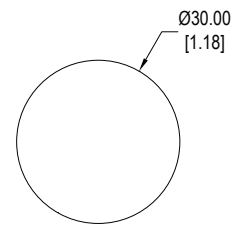
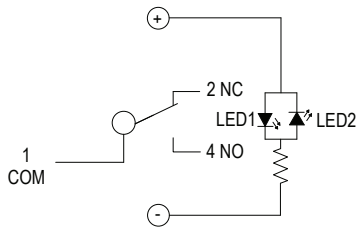
25mm



28mm



30mm

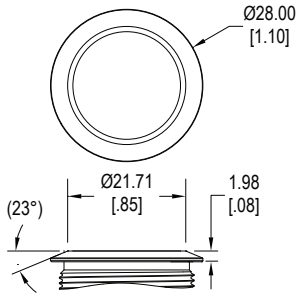


DHU

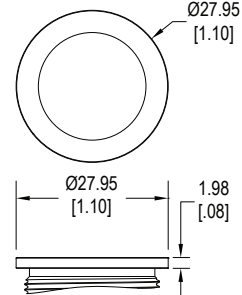
UL Approved Illuminated Pushbutton

Bezel Detail

25mm

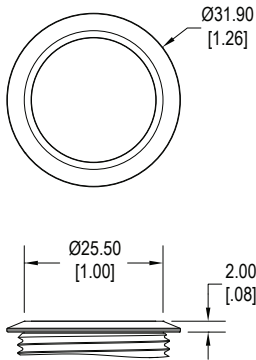


Standard

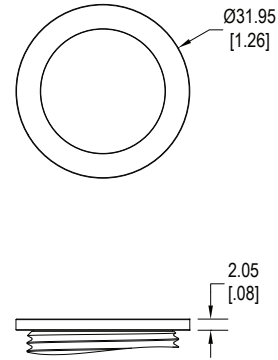


Straight

28mm

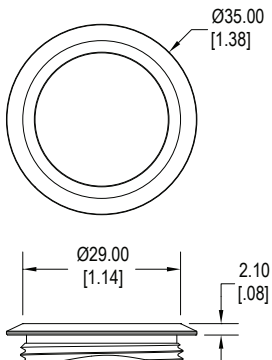


Standard

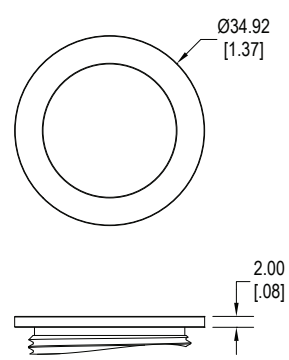


Straight

30mm



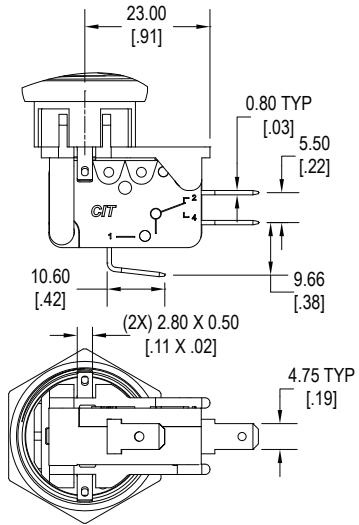
Standard



Straight

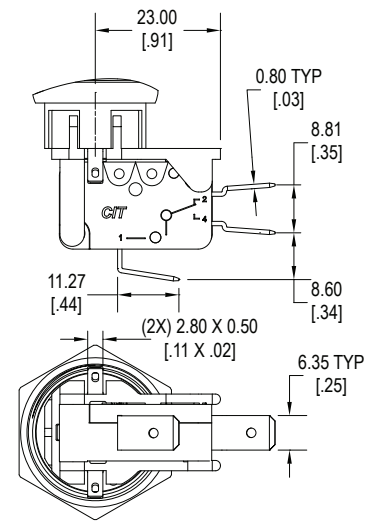
Terminal Detail

25mm



A = .187"

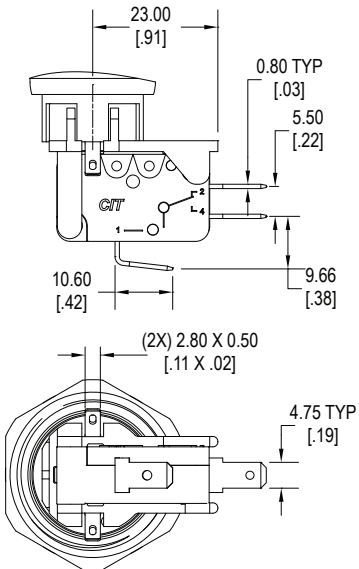
utilizing part number VM3CQF1802L00



B = .250"

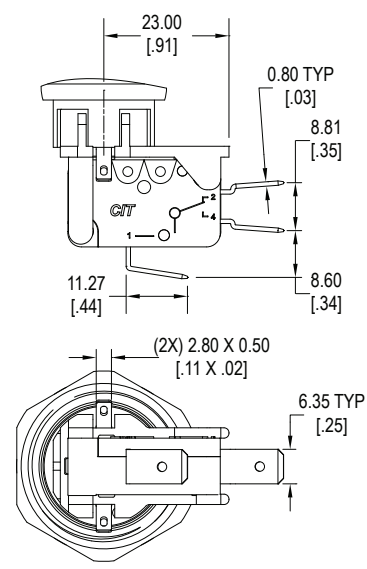
utilizing part number VM3CQF1801L00

28mm



A = .187"

utilizing part number VM3CQF1802L00



B = .250"

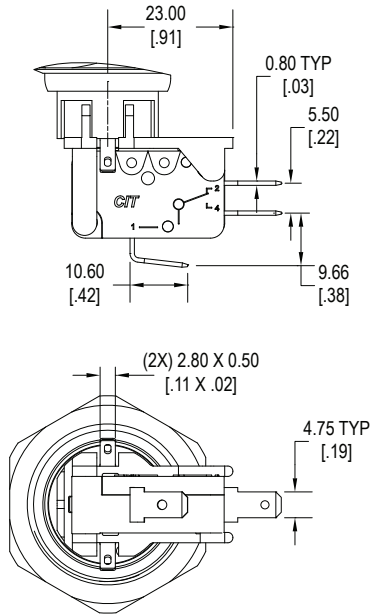
utilizing part number VM3CQF1801L00

DHU

UL Approved Illuminated Pushbutton

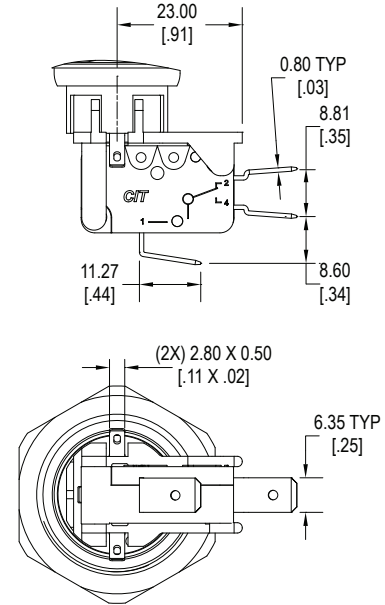
Terminal Detail - continued

30mm



A = .187"

utilizing part number VM3CQF1802L00



B = .250"

utilizing part number VM3CQF1801L00

LED Characteristics

LED Ratings		Color						Units
		R	Y	G	B	O	W	
Reverse Voltage	V_R	5	5	5	5	5	5	V
Forward Current (peak)	I_{FS}	120	120	160	160	120	160	mA
Reverse Current $V_R = 5V$	I_R	10	10	10	10	10	10	μA
Power Dissipation	P_T	80	80	120	120	80	120	mW
Forward Voltage (typ) $I_F = 20mA$	V_F	2.1	2.1	3.3	3.3	2.0	3.0	V
Luminous Intensity, $I_F = 20mA$	LI	120	120	170	100	120	700	mcd