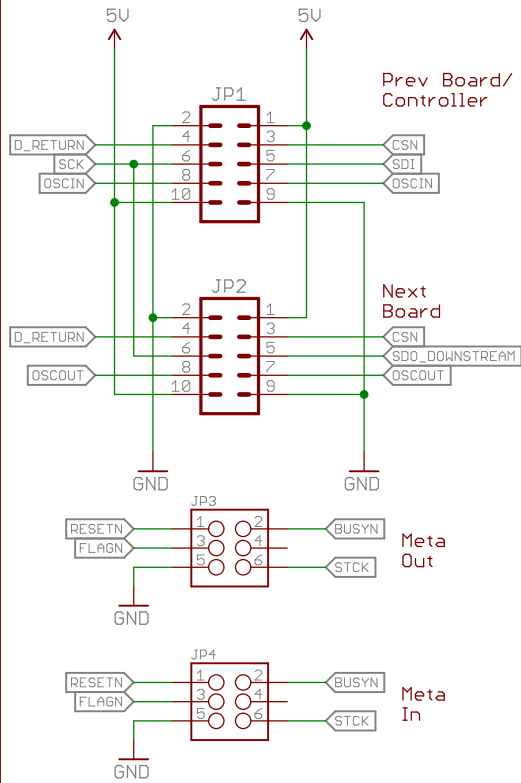


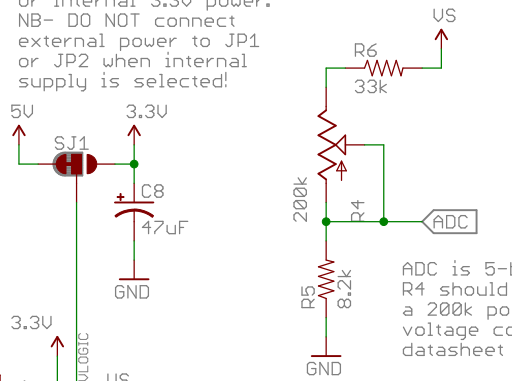
SPI Data is MSB first,  
 SPI mode 3:  
 CPOL=CPHA=1  
 5 Mbit max



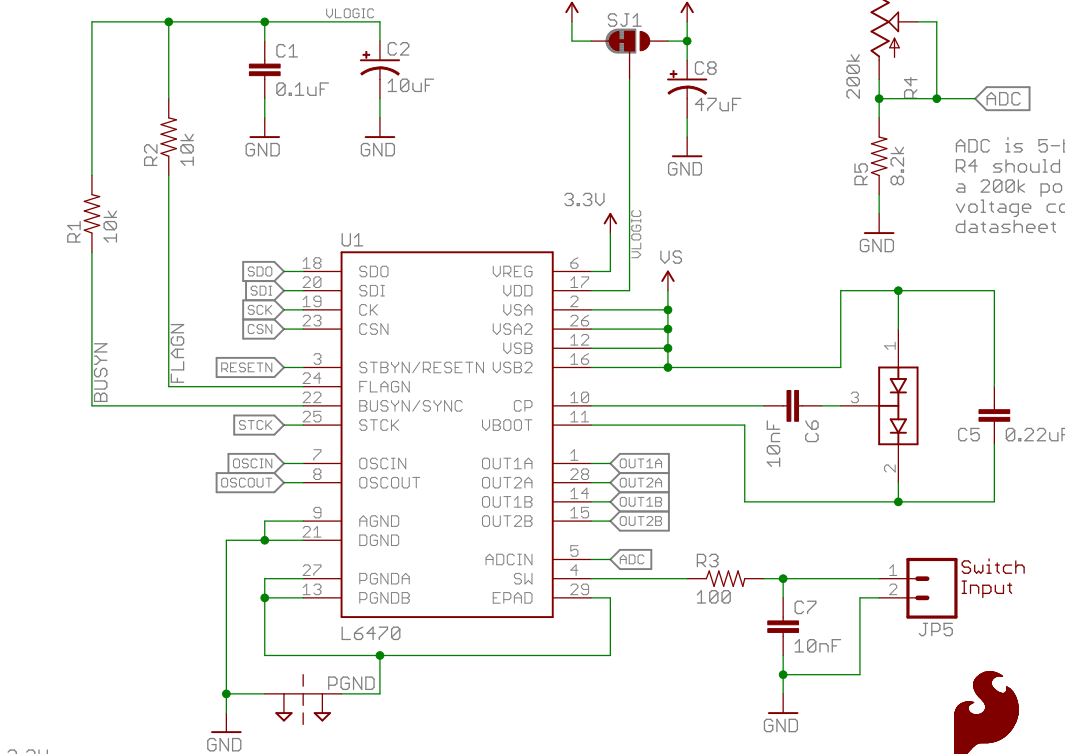
SJ3 allows you to route the SDO (serial data out) either to the next board (if this board is in a chain) or back to the previous board (if this board is the last or only board in the chain). It defaults to back to previous board, for single board applications.



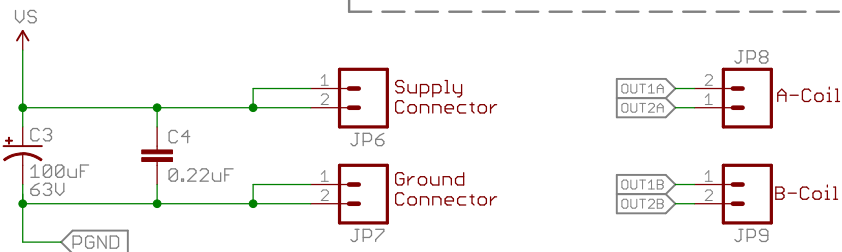
SJ1 allows user to select external power over comm headers or internal 3.3V power. NB- DO NOT connect external power to JP1 or JP2 when internal supply is selected!



ADC is 5-bit 0-3.3V range. R4 should be populated with a 200k pot for supply voltage compensation; see datasheet p36 for details.



Us must be between 8V and 45V  
 Motor supply must be enabled for chip comms to work!



THIS IS A FOUR-LAYER BOARD!

Released under the Creative Commons Attribution Share-Alike 4.0 License  
<https://creativecommons.org/licenses/by-sa/4.0/>

TITLE: L6470\_AutoDriver\_v13

Design by: Mike Hord

REV: 13

Date: 9/15/2016 8:37 AM

Sheet: 1/1