



BC237A
BC237B
BC237C

Features

- Halogen free available upon request by adding suffix "-HF"
- Lead Free Finish/RoHS Compliant ("P" Suffix designates RoHS Compliant. See ordering information)
- Epoxy meets UL 94 V-0 flammability rating
- Moisture Sensitivity Level 1

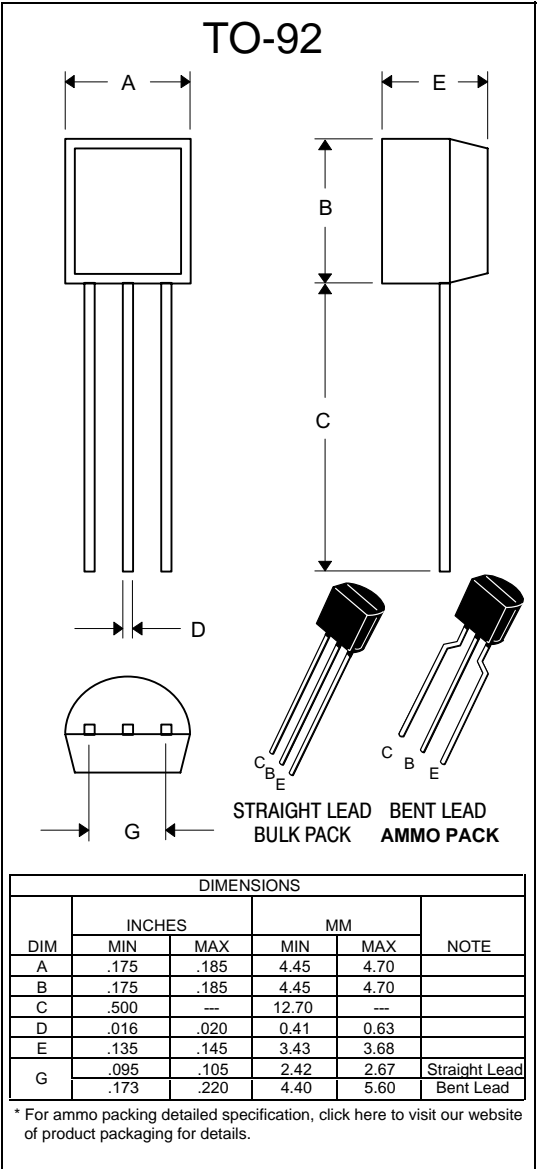
Maximum Ratings

- Operating temperature : -55°C to +150°C
- Storage temperature : -55°C to +150°C

Electrical Characteristics @ 25°C Unless Otherwise Specified

Symbol	Parameter	Value	Unit
V _{CEO}	Collector-Emitter Voltage	45	V
V _{EBO}	Emitter-Base Voltage	6	V
I _C	Collector Current -Continuous	0.1	A
P _C	Collector Power Dissipation	350	mW
R _{θJA}	Thermal Resistance, Junction to Ambient	357	°C/W
R _{θJC}	Thermal Resistance, Junction to Case	125	°C/W
T _J	Junction Temperature	150	°C
T _{stg}	Storage Temperature	-55-150	°C

NPN
Plastic-Encapsulate
Transistors



ELECTRICAL CHARACTERISTICS (T_a=25°C unless otherwise specified)

Parameter	Symbol	Test conditions	Min	Typ	Max	Unit
Collector-base breakdown voltage	V _{(BR)CBO}	I _C =100μA, I _E =0	50			V
Collector-emitter breakdown voltage	V _{(BR)CEO}	I _C =2mA, I _B =0	45			V
Emitter-base breakdown voltage	V _{(BR)EBO}	I _E =100μA, I _C =0	6			V
Collector cut-off current	I _{CBO}	V _{CE} =50V, V _{BE} =0			15	nA
DC current gain	h _{FE(1)}	V _{CE} =5V, I _C =10μA		90		
		BC237A		150		
		BC237B BC237C		270		
DC current gain	h _{FE(2)}	V _{CE} =5V, I _C =2mA	120		800	
		BC237A	120		220	
		BC237B BC237C	200 380		460 800	
DC current gain	h _{FE(3)}	V _{CE} =5V, I _C =100mA		120		
		BC237A		180		
		BC237B BC237C		300		
Collector-emitter saturation voltage	V _{CE(sat)}	I _C =10mA, I _B =0.5mA I _C =100mA, I _B =5mA			0.2 0.6	V
Base-emitter saturation voltage	V _{BE(sat)}	I _C =10mA, I _B =0.5mA I _C =100mA, I _B =5mA			0.83 1.05	V
Base-emitter voltage	V _{BE}	V _{CE} =5V, I _C =0.1mA V _{CE} =5V, I _C =2mA V _{CE} =5V, I _C =100mA	0.55	0.5 0.83	0.7	V
Transition frequency	f _T	V _{CE} =3V, I _C =0.5mA, f=100MHz V _{CE} =5V, I _C =10mA, f=100MHz	150	100 200		MHz
Collector output capacitance	C _{ob}	V _{CB} =10V, I _E =0, f=1MHz			4.5	pF
Emitter-base capacitance	C _{ib}	V _{EB} =0.5V, I _C =0, f=1MHz		8		Pf
Noise figure	NF	V _{CE} =5V, I _C =0.2mA, f=1kHz, R _s =2KΩ, Δf=200Hz		2	10	dB



Micro Commercial Components

Ordering Information :

Device	Packing
Part Number-AP	Ammo Packing: 20Kpcs/Carton
Part Number-BP	Bulk: 100Kpcs/Carton

Note : Adding "-HF" suffix for halogen free, eg. Part Number-AP-HF

*****IMPORTANT NOTICE*****

Micro Commercial Components Corp. reserves the right to make changes without further notice to any product herein to make corrections, modifications, enhancements, improvements, or other changes. **Micro Commercial Components Corp.** does not assume any liability arising out of the application or use of any product described herein; neither does it convey any license under its patent rights, nor the rights of others. The user of products in such applications shall assume all risks of such use and will agree to hold **Micro Commercial Components Corp.** and all the companies whose products are represented on our website, harmless against all damages.

*****LIFE SUPPORT*****

MCC's products are not authorized for use as critical components in life support devices or systems without the express written approval of Micro Commercial Components Corporation.

*****CUSTOMER AWARENESS*****

Counterfeiting of semiconductor parts is a growing problem in the industry. Micro Commercial Components (MCC) is taking strong measures to protect ourselves and our customers from the proliferation of counterfeit parts. MCC strongly encourages customers to purchase MCC parts either directly from MCC or from Authorized MCC Distributors who are listed by country on our web page cited below. Products customers buy either from MCC directly or from Authorized MCC Distributors are genuine parts, have full traceability, meet MCC's quality standards for handling and storage. **MCC will not provide any warranty coverage or other assistance for parts bought from Unauthorized Sources.** MCC is committed to combat this global problem and encourage our customers to do their part in stopping this practice by buying direct or from authorized distributors.