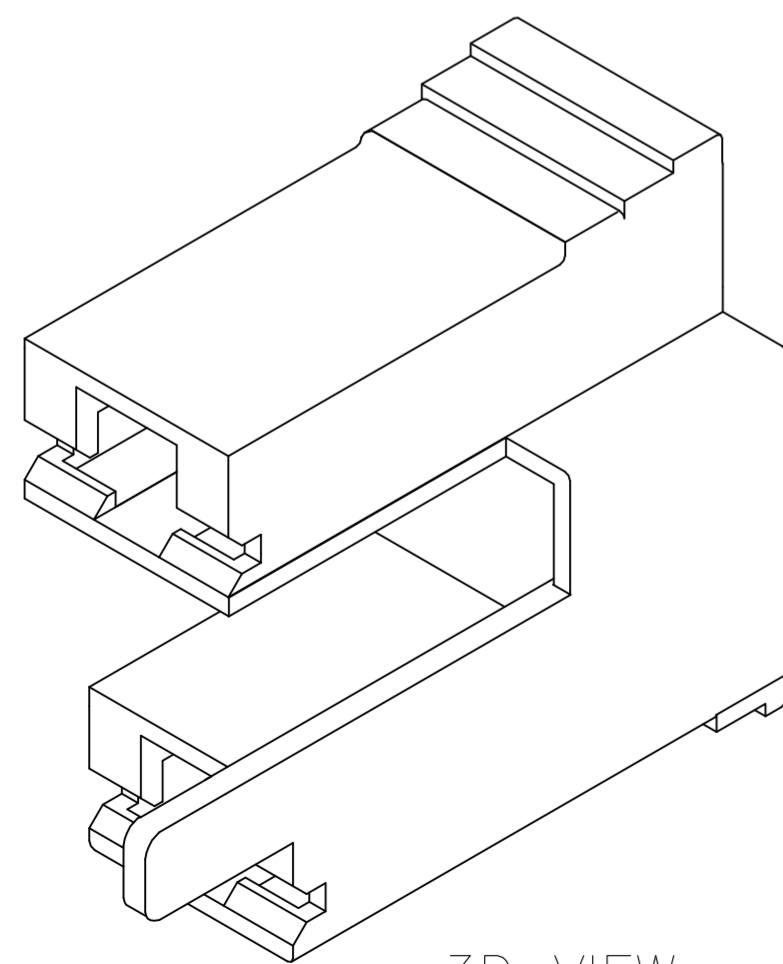
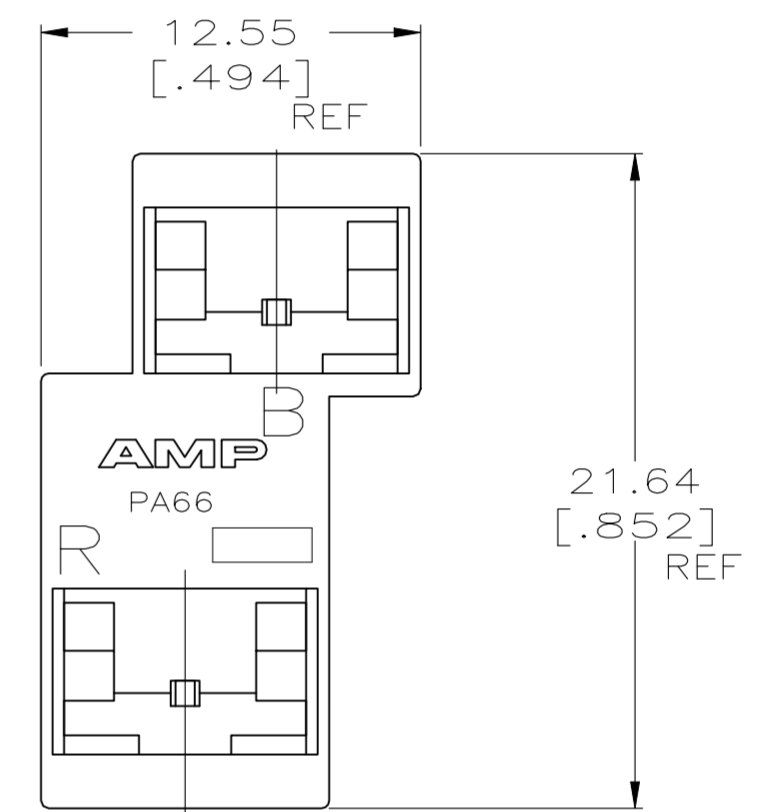
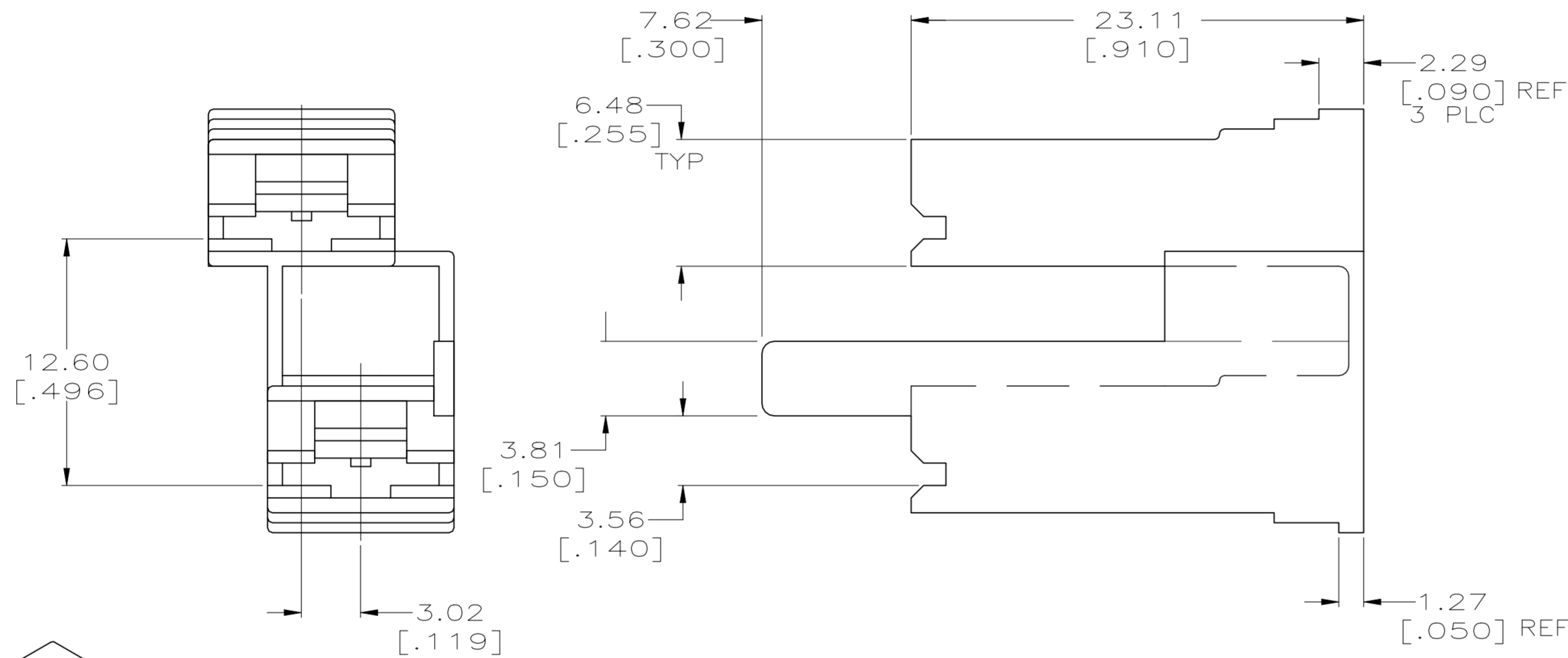
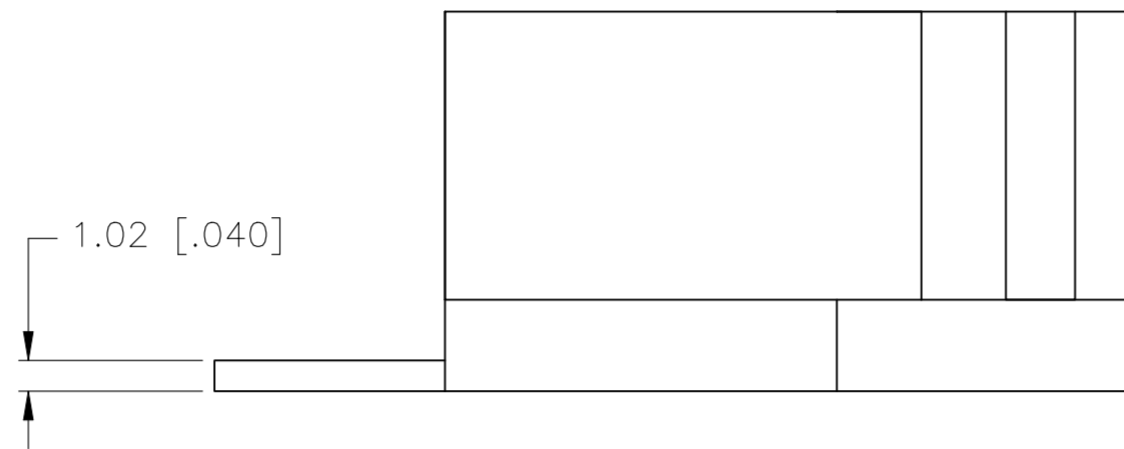


REVISIONS					
P	LTR	DESCRIPTION	DATE	DWN	APVD
S2		REVISED PER ECN-22-143340	17MAR2022	MK	ES

1 USES TERMINAL P/N 63757-1.



3D VIEW

NATURAL	66/6 V0 NATURAL	521358-2
-	-	521358-1
COLOR	MATERIAL	PART NO.

THIS DRAWING IS A CONTROLLED DOCUMENT.		DWN	JR_RUTH	09OCT00
DIMENSIONS:		CHK	MS_FEHER	09OCT00
mm [INCHES]	TOLERANCES UNLESS OTHERWISE SPECIFIED:	APVD	P_DESANTIS	09OCT00
	0 PLC ± -	PRODUCT SPEC		
	1 PLC ± -	APPLICATION SPEC		
	2 PLC ± 0.25 [.010]			
	3 PLC ± -	WEIGHT	-	
	4 PLC ± -	SIZE	A2	
	ANGLES ± -	CAGE CODE	00779	
MATERIAL	6/6 NYLON	FINISH	NATURAL	DRAWING NO
				C=521358
		CUSTOMER DRAWING	SCALE	4:1
			SHEET	1 of 1
			REV	S2



HOUSING, RECEPT.,  
FASTON, 6.35 [.250] SERIES