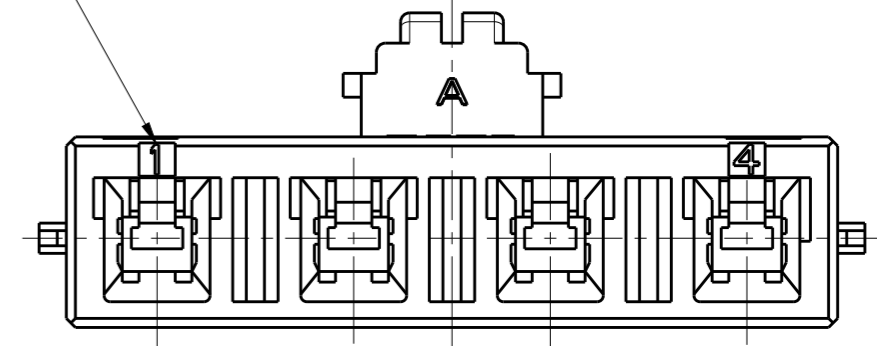
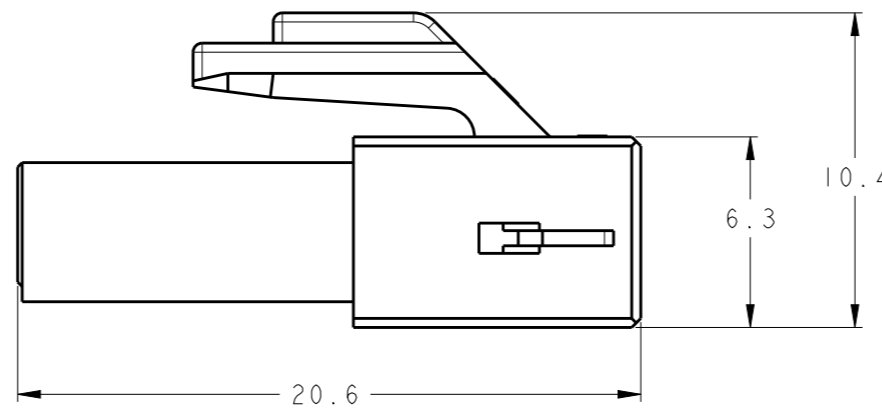
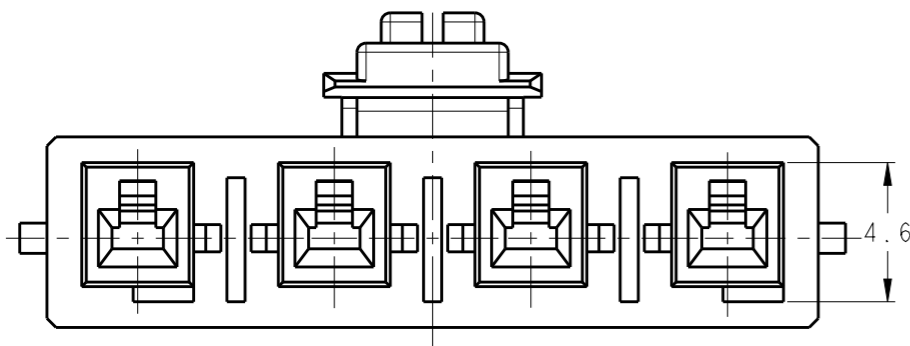
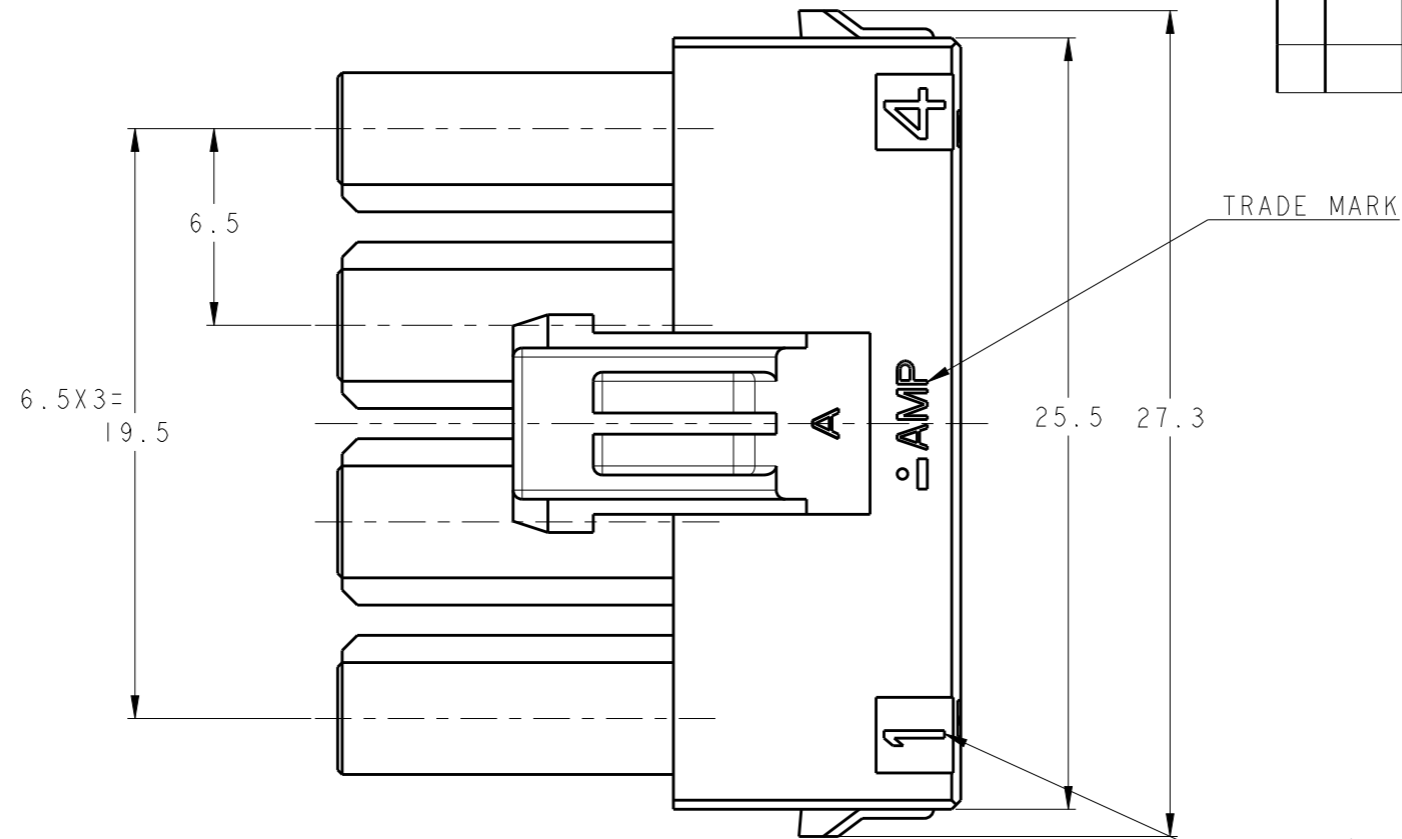


© 2019 TE Connectivity. All Rights Reserved.

REVISIONS

P	LTR	DESCRIPTION	DATE	DWN	APVD
	A	RELEASED	28SEP'07	SC	JK
	B	REVISED PER ECR-19-009721	01JUL2019	M.G	D.Z



NOTE

- 1. GENERAL TOLERANCES: ±0.25
- 2. THIS HOUSING ACCEPTS RECEPTACLE TERMINAL:  
- REC CONTACT: 177914-1, 177915-1
- 3. APPLICABLE DOUBLE LOCK PLATE P/N: 316063-1
- 4. MATING CONN. P/N: X-179847-X
- 5. CIRCUIT NO.
- 6. MATERIAL:  
- MATERIAL FOR 368573-1: PA6 UL94V-2  
- MATERIAL FOR 1-368573-1: PA66 UL94V-0  
COMPLY WITH GLOW WIRE REQUIREMENT FOR PARTS OF  
NON-METALLIC MATERIALSUPPORTING A CURRENT-CARRYING  
CONNECTION DETAILED IN IEC 60335-1, SECTION 30(GWT)

1-368573-1	NATURAL
368573-1	NATURAL
P/N	COLOR

THIS DRAWING IS A CONTROLLED DOCUMENT.		DWN SC KIM		<b>TE Connectivity</b>	
DIMENSIONS: mm		CHK BW KANG			
		APVD JK SONG		NAME PDL 4P PLUG HSG 6.5MM S/R (GWT)	
		TOLERANCES UNLESS OTHERWISE SPECIFIED: 0 PLC ± 1 PLC ± 2 PLC ± 3 PLC ± 4 PLC ± ANGLES ±		PRODUCT SPEC 108-5410	
MATERIAL 6		FINISH -		APPLICATION SPEC 114-5175	
		WEIGHT -		SIZE A3	
		CUSTOMER DRAWING		CAGE CODE 00779	
				DRAWING NO 368573	
				RESTRICTED TO -	
				SCALE 4:1	
				SHEET 1 OF 1	
				REV B	