

Molded Parts Specification Control Drawing

Part Number : 223K013
Description : Boot, Strain Relief 90°

NOTES

- All dimensions are in $\frac{\text{inches}}{\text{[millimeters]}}$
- Dimensions appearing in table are as follows:
 - a - As Supplied
 - b - After Unrestricted Recovery
- Coating is optional. As supplied dimensions appearing in table are for uncoated parts. When coating is added, entry diameters will be reduced by .06 max.

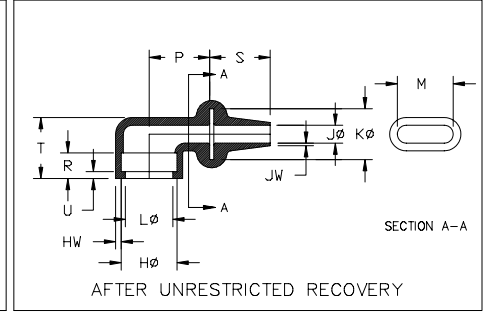
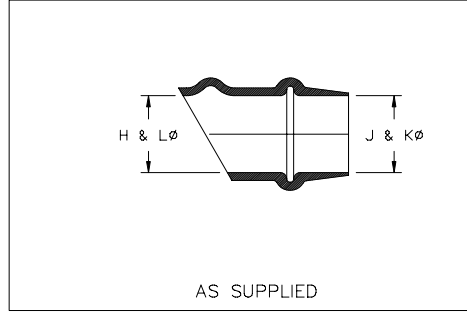


TABLE OF DIMENSIONS

PART NUMBER	H		J		K		L		M Ref b	P ±10% b	R ±10% b	S ±10% b	T ±10% b	HW ±20% b	LW ±20% b
	Min a	Max b	Min a	Max b	Min a	Max b	Min a	Max b							
	223K013	1.02 [26,0]	.80 [20,4]	1.02 [26,0]	.72 [18,4]	1.02 [26,0]	.75 [19,0]	1.02 [26,0]							

tyco
Electronics **Raychem**
TYCO ELECTRONICS
300 CONSTITUTION DRIVE
MENLO PARK, CALIFORNIA 94025

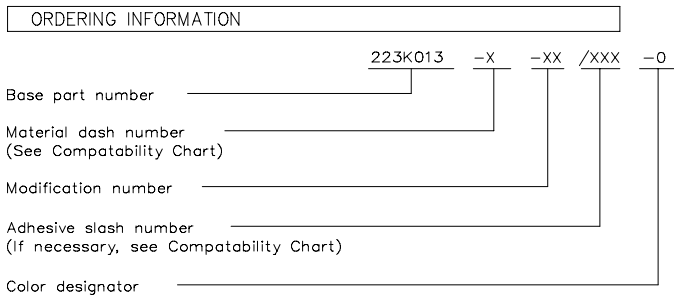
Revision : D
Date : 7/30/03

Part Number : 223K013
Description : Boot, Strain Relief 90°

Molded Parts Specification Control Drawing

Part Number : 223K013
Description : Boot, Strain Relief 90°

MATERIAL DASH NO.	MATERIAL DESCRIPTION	RT SPEC	COATING SLASH NO.	COATING S NO.	COATING DESCRIPTION
-3	Polyolefin, Semi-Rigid	RT-301	N/A		
-4	Polyolefin, Flexible	RT-1304	N/A		
-25	Elastomer, Fluid Resistant	RT-1325	N/A		



THIS DRAWING IS SUBJECT TO CHANGE WITHOUT NOTICE; CONSULT YOUR NEAREST FIELD REPRESENTATIVE FOR CURRENT REVISION

tyco
Electronics **Raychem**
TYCO ELECTRONICS
300 CONSTITUTION DRIVE
MENLO PARK, CALIFORNIA 94025

Revision : D
Date : 7/30/03

Part Number : 223K013
Description : Boot, Strain Relief 90°