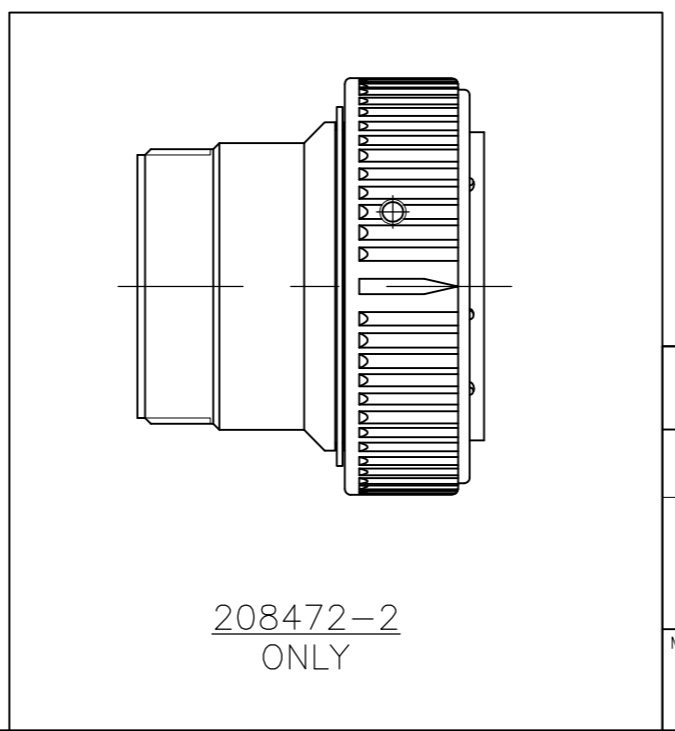
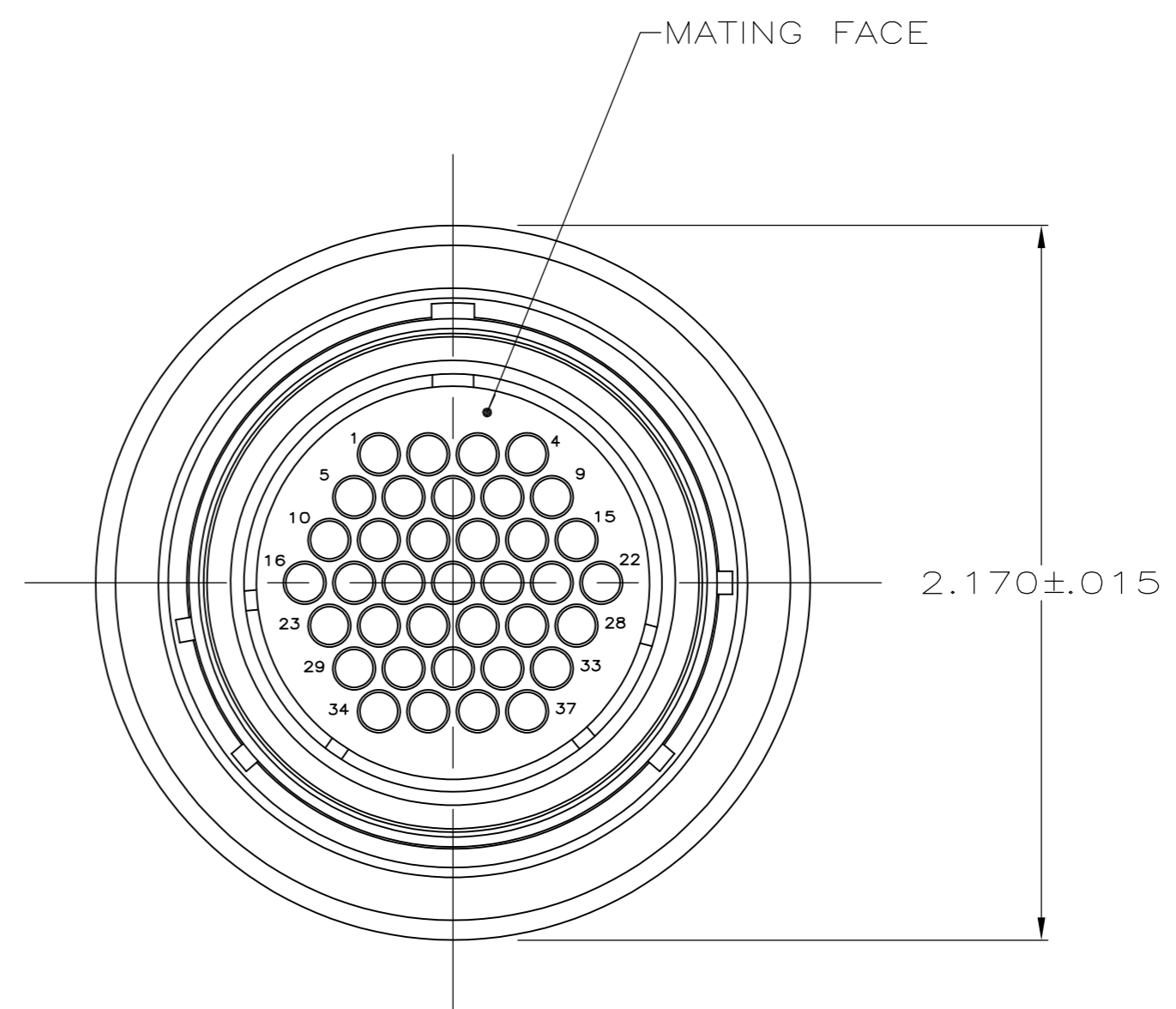
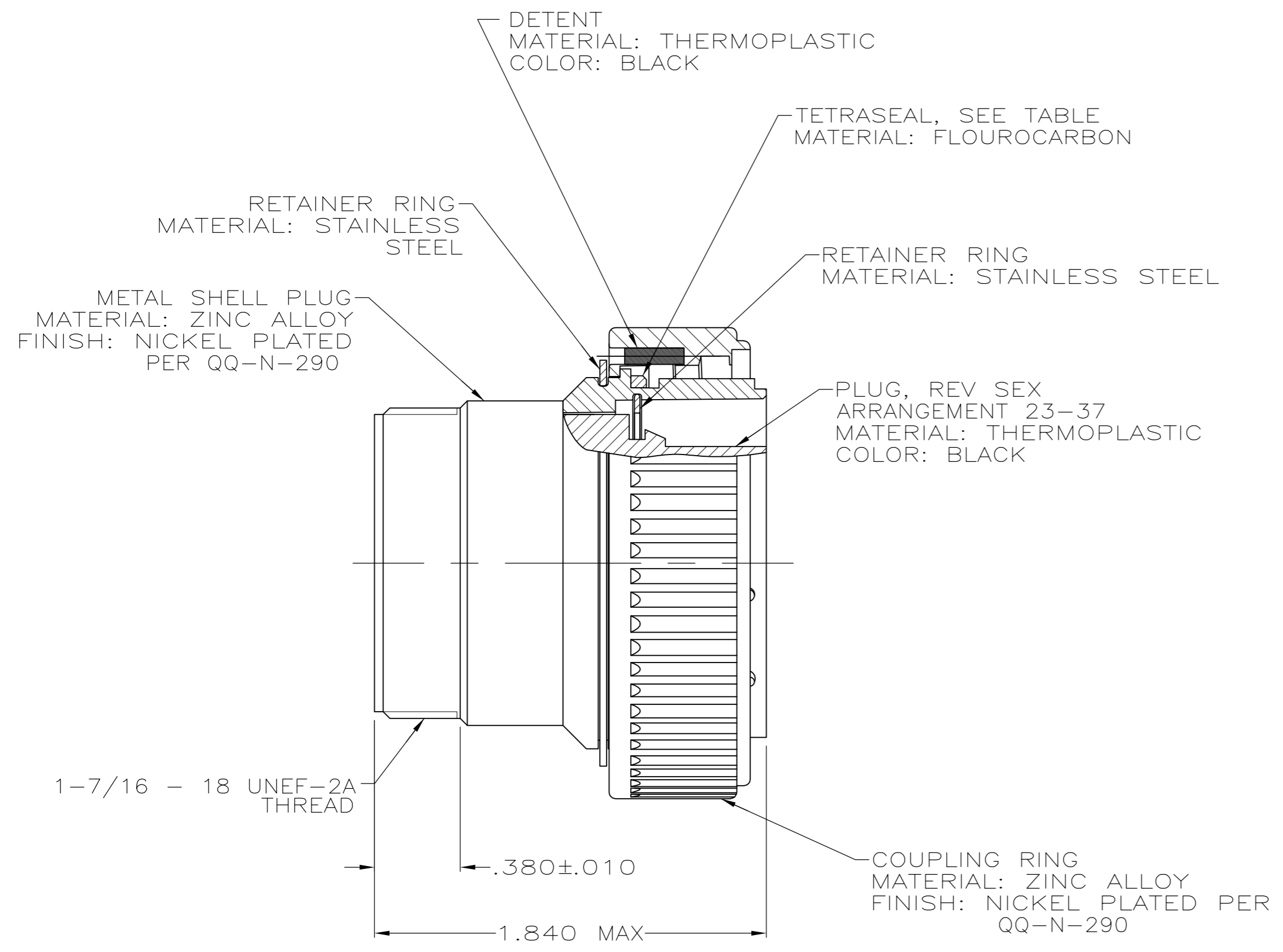


THIS DRAWING IS UNPUBLISHED. RELEASED FOR PUBLICATION  
 © COPYRIGHT - By - ALL RIGHTS RESERVED.

REVISIONS				
P	LTR	DESCRIPTION	DATE	APVD
V2		REVISED PER ECO-16-004800	12SEP2016	NK MZ



OBSOLETE	NO	YES	-208472-3-
	YES	YES	-208472-2-
	NO	NO	208472-1
SECONDARY LOCKING FEATURE	TETRASEAL	PART NUMBER	

1 AMP PART NUMBER AND DATE CODE TO BE LOCATED ON COUPLING RING.

THIS DRAWING IS A CONTROLLED DOCUMENT.		DWN R.LEE BG 6-25-91	<b>TE</b> TE Connectivity	
DIMENSIONS: INCHES		CHK W.G.LENKER 4-16-92		
TOLERANCES UNLESS OTHERWISE SPECIFIED:		APVD -	NAME	
0 PLC ± -	1 PLC ± -	PRODUCT SPEC 108-10040	PLUG ASSEMBLY, REV SEX, SERIES 1, 28-37, CMC	
2 PLC ± -	3 PLC ± -	APPLICATION SPEC -	SIZE A2	CAGE CODE 00779
4 PLC ± -	ANGLES ± -	WEIGHT -	DRAWING NO C-208472	RESTRICTED TO -
MATERIAL SEE CALLOUT	FINISH SEE CALLOUT	CUSTOMER DRAWING	SCALE 2:1	SHEET 1 of 1
			REV V2	