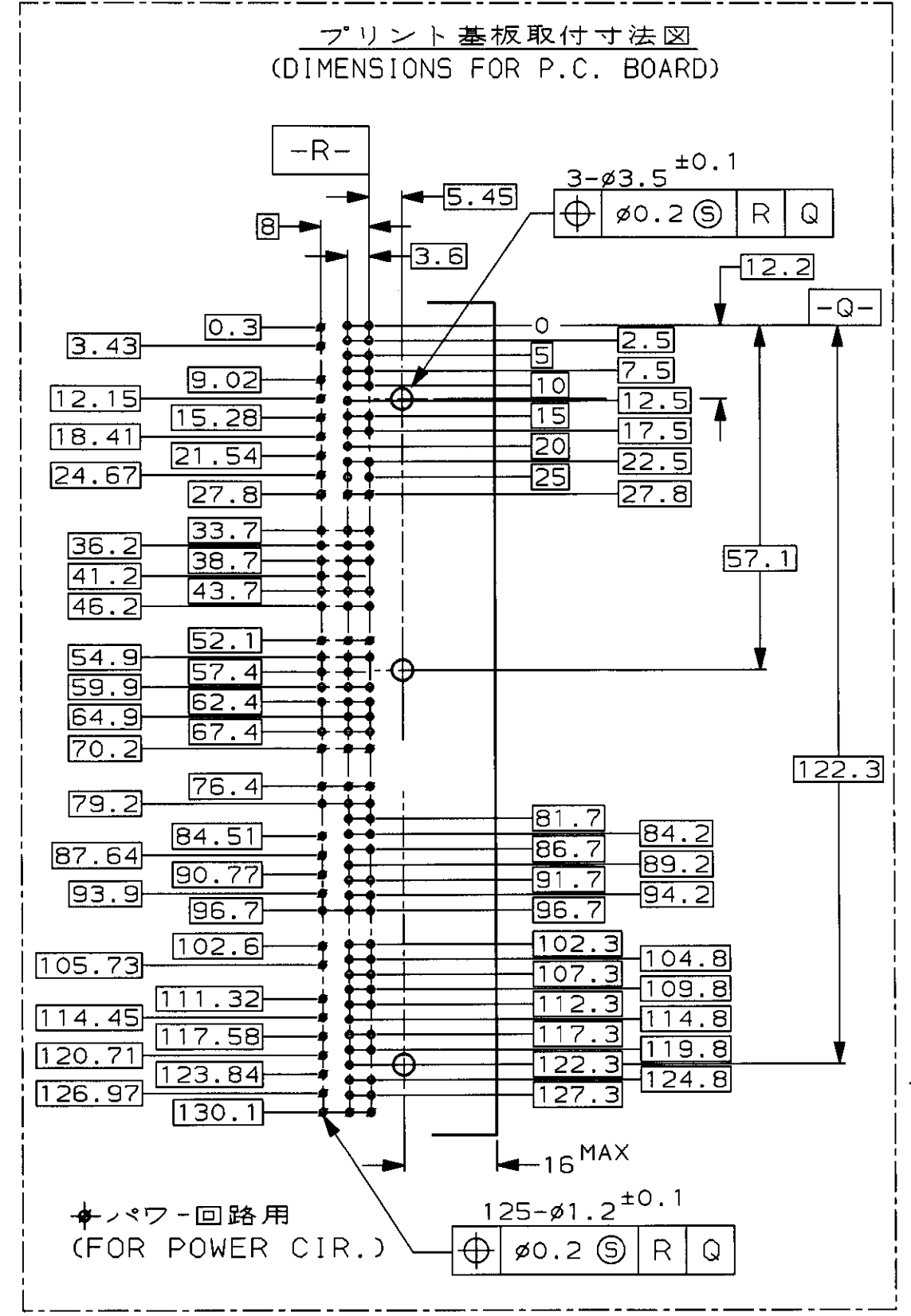
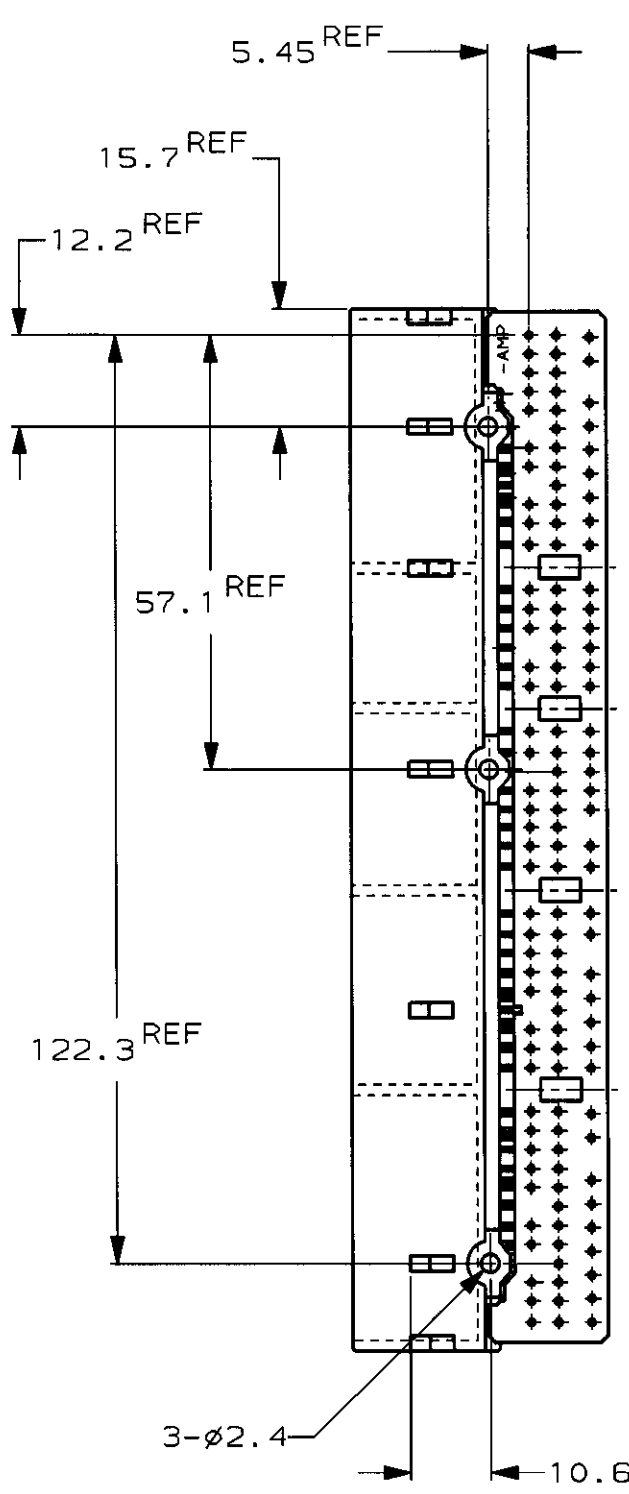
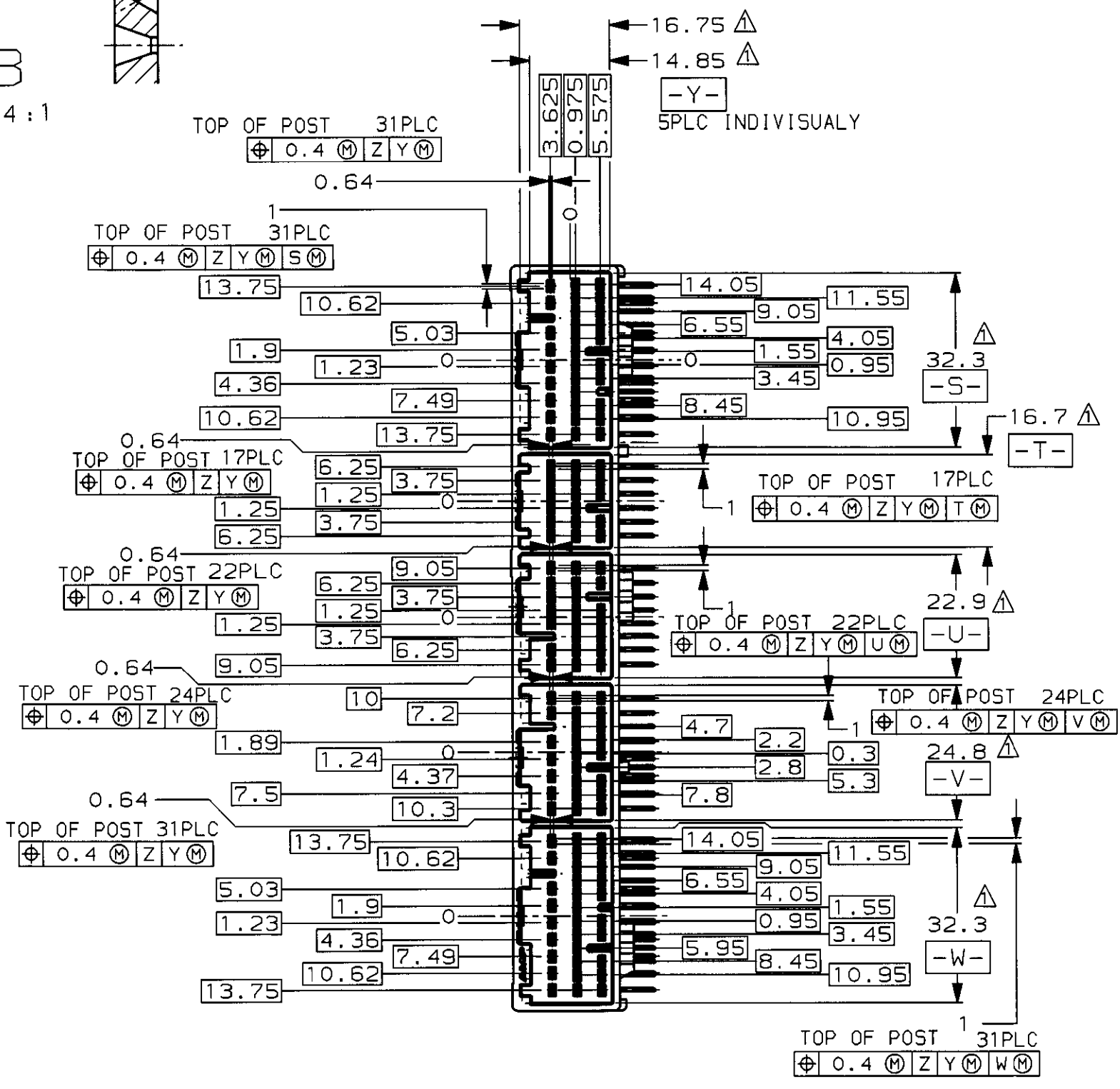
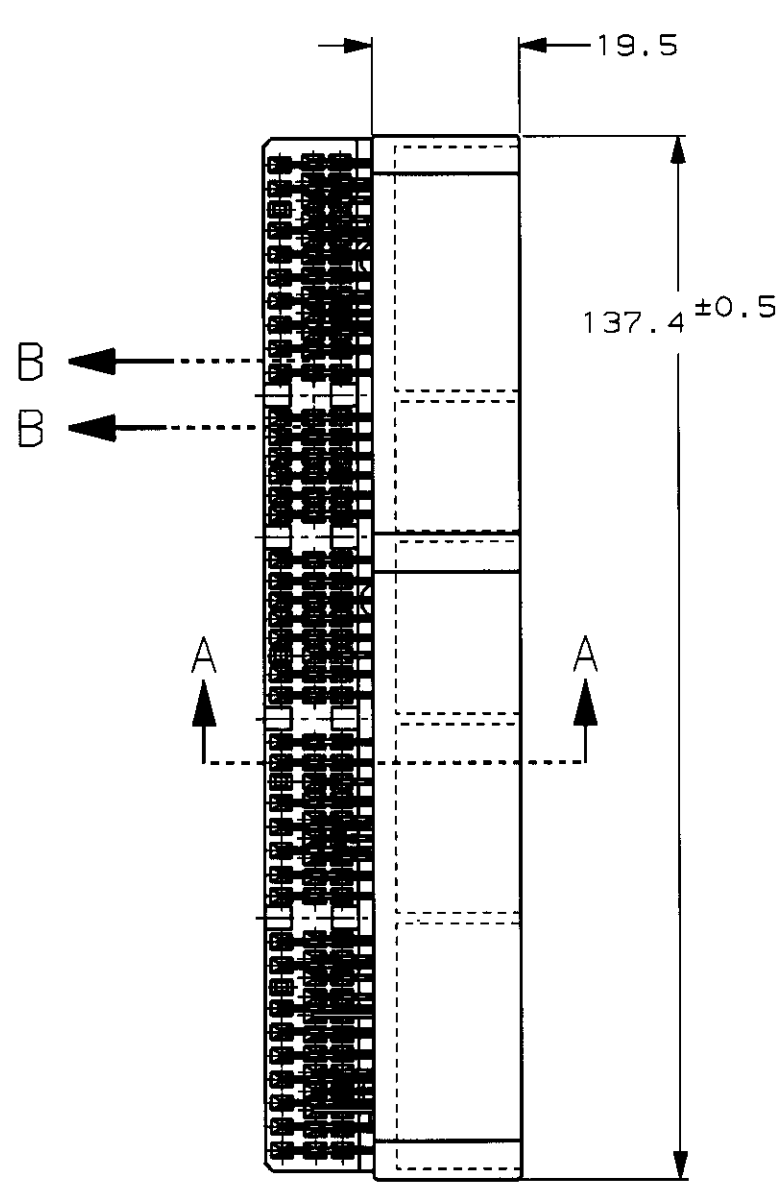


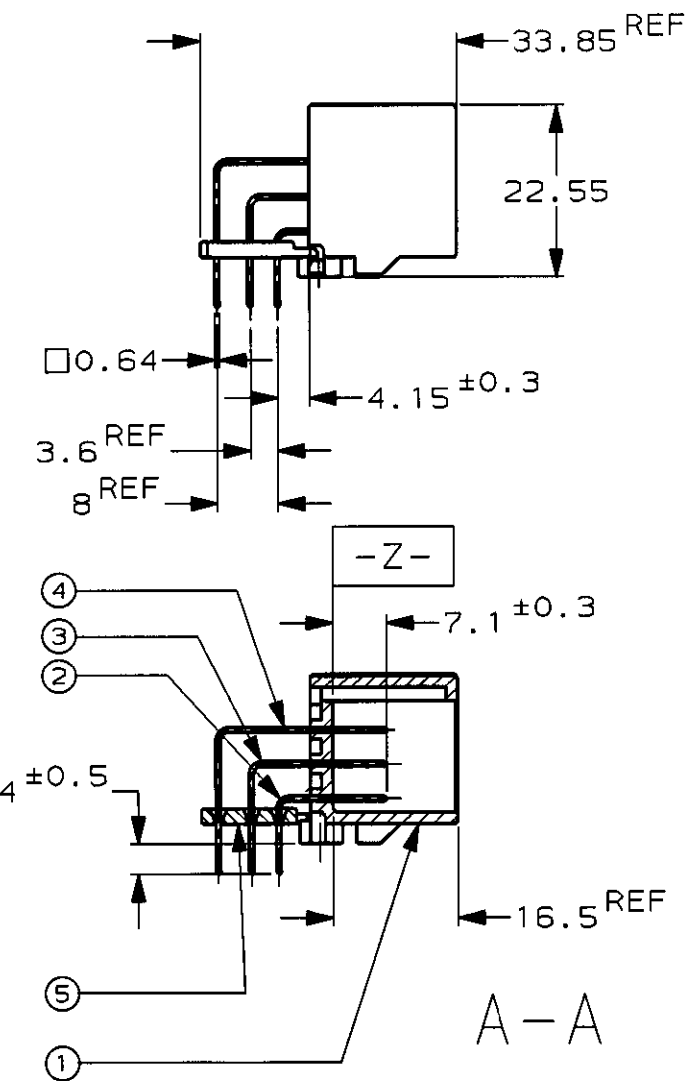
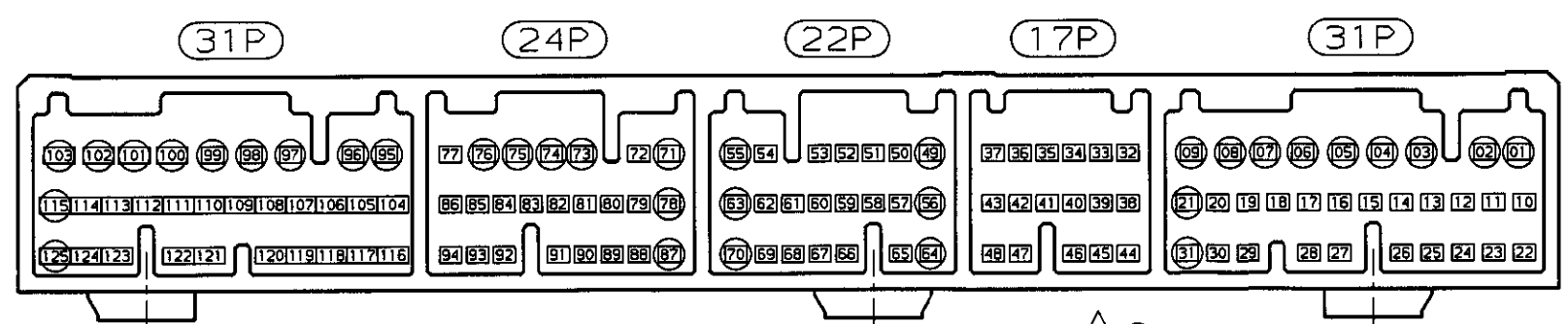
/kcc/autoprntive/en32_autoprntive/u.088-0183/u.customer/s.c-1318612

REVISONS						
LOC	DIST	P	LTR	DESCRIPTION	ECN	DATE
J	-	0		DRAWN	FJ00-1684-99	30SEP99

B-B
SCALE 4:1



- | | |
|--|---|
| <p>▲ Z面より7.5mmの位置で測定</p> <p>▲ パワ-回路(35極); FIG 1 参照</p> <p>▲ 回路番号; FIG 1 参照</p> <p>4. 嵌合相手ハウジング型番
17P; 353027, 22P; 353028
24P; 353029, 31P; 1318682, 353826</p> <p>5. 推奨取付ねじ: JIS B1115、B1122
タッピングねじ、なべ2種、呼び径3、長さ6以下</p> <p>6. ねじ締付トルク: 0.392N・m MAX</p> <p>7. 取扱説明書 411-5931</p> | <p>▲ MEASURED AT THE SECTION 7.5mm FROM Z.</p> <p>▲ POWER CIRCUITS (35); SEE FIG 1</p> <p>▲ CIRCUIT NUMBERS; SEE FIG 1</p> <p>4. PART NO OF PLUG HOUSINGS TO BE MATED
17P; 353027, 22P; 353028, 24P; 353029
31P; 1318682, 353826</p> <p>5. RECOMMENDED SCREW: PAN-HEADED, TYPE 2
TAPPING SCREW OF 3DIA X 6LEN(MAX)
(JIS B1115, B1122).</p> <p>6. FASTENING TORQUE FOR SCREW: 0.392N・m MAX.</p> <p>7. INSTRUCTION SHEET 411-5931</p> |
|--|---|



FINISH/COLOR	MATERIAL	NAME	QTY	ITEM NO
NATURAL	PBT	TINE PLATE	1	(5)
PRE-TIN	COPPER ALLOY	TAB CONTACT(L)	38	(4)
PRE-TIN	COPPER ALLOY	TAB CONTACT(M)	47	(3)
PRE-TIN	COPPER ALLOY	TAB CONTACT(S)	40	(2)
NATURAL	PBT	CAP HOUSING	1	(1)

<p>THIS DRAWING IS A CONTROLLED DOCUMENT FOR AMP INCORPORATED. IT IS SUBJECT TO CHANGE AND THE CONTROLLING ENGINEERING ORGANIZATION SHOULD BE CONTACTED FOR THE LATEST REVISION.</p>		<p>CHK Y.FUJIWALA 29SEP99</p> <p>APVD K.ODA 30SEP99</p>	<p>NAME 040 II HIGH DENSITY CONNECTOR 125POS CAP HOUSING ASSY</p>
<p>DIMENSIONS: 単位 mm</p>	<p>TOLERANCES UNLESS OTHERWISE SPECIFIED</p> <p>一般公差: 10% ±0.2, 30% ±0.25, 100% ±0.3</p> <p>ANGLE: ±3°</p>	<p>PRODUCT SPEC 108-5673</p> <p>APPLICATION SPEC 取付適用規格</p>	<p>AMP 日本エー・エム・ピー株式会社 Kawasaki, Japan</p>
<p>MATERIAL 材料</p> <p>SEE TABLE</p>	<p>FINISH 仕上</p> <p>SEE TABLE</p>	<p>WEIGHT 42.2g</p> <p>CUSTOMER DRAWING</p>	<p>SIZE A2 CAGE CODE 00779 DRAWING NO. 1318612</p> <p>RESTRICTED TO</p>